

FLEX NETWORK I/O Module R7FN Series



■ Remote I/O modules for Pro-face® FLEX NETWORK

■ Slave to Pro-face® Graphic Operator Interface:

- GP3000 Series
- GLC2000 Series
- LT Series Type B / B+ / C

■ 8 or 16 discrete signals

■ Simple setting

■ 1500 Vac isolation

PALM-TOP SIZE COMPACT MODULE



Pro-face® Graphic Operator Interface

FLEX NETWORK



R7FN



R7FN

M-System's R7FN Series Remote I/O modules directly interface with Pro-face® Graphic Operator Interface via FLEX NETWORK.

Palm-top size compact modules can handle sixteen discrete signals. Eight-point relay output module is also available.

These modules are designed to replace discontinued Pro-face® FLEX NETWORK slave modules (See the table below) with minimum differences in hardware. Furthermore, they can be identified with the discontinued model numbers by the Graphic Operator Interface master, thus simplifying software programming even when you have added the R7FN modules to an existing system.

1500 Vac isolation is maintained between I/O, network and power input.

Analog I/O modules will be also available in the future. For updated information, please contact M-System sales/customer support at info@m-system.co.jp.

For M-System product information and downloadable data sheets, visit On-Line Signal Conditioners Data Library at: <http://www.m-system.co.jp/mssenglish/index.htm>.

MODEL SELECTIONS

M-System R7FN Series	
FUNCTION	MODEL
Discrete input, PNP/NPN, 16 points	R7FN-DA16
NPN transistor output, 16 points	R7FN-DC16A
PNP transistor output, 16 points	R7FN-DC16B
Discrete input, PNP, 8 points / NPN transistor output, 8 points	R7FN-DAC16A
Discrete input, NPN, 8 points / PNP transistor output, 8 points	R7FN-DAC16B
Relay contact output, 8 points	R7FN-DC8C

Pro-face Discontinued Products	
FUNCTION	MODEL
←← 16-point input, sink/source type	FN-X16TS41
←← 16-point output, sink transistor	FN-Y16SK41
←← 16-point output, source transistor	FN-Y16SC41
←← 8-point input, sink/source type / 8-point output, sink transistor	FN-XY08TS41
←← 8-point relay output	FN-Y08RL41

Pro-face® is a registered trademark of Digital Electronics Corporation in Japan, U.S.A., Canada, Europe and other areas and countries.

FLEX NETWORK I/O Module R7FN Series

I/O SPECIFICATIONS

I/O type Model No.	Discrete input, PNP/NPN, 16 points R7FN-DA16
Common	Negative or positive common, per 16 points
Rated input voltage	24 Vdc \pm 10%
Isolation	Input to FLEX NETWORK to power to FG

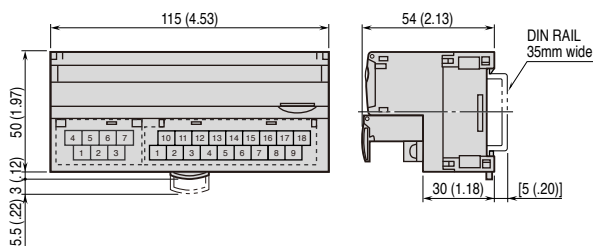
I/O type Model No.	NPN transistor output, 16 points R7FN-DC16A
Common	Negative common, per 16 points
Rated load voltage	24 Vdc \pm 10%
Rated output current	0.25 A per point, 2.0 A per common
Isolation	Output to FLEX NETWORK to power to FG

I/O type Model No.	PNP transistor output, 16 points R7FN-DC16B
Common	Positive common, per 16 points
Rated load voltage	24 Vdc \pm 10%
Rated output current	0.25 A per point, 2.0 A per common
Isolation	Output to FLEX NETWORK to power to FG

I/O type Model No.	Discrete input, PNP, 8 points / NPN transistor output, 8 points R7FN-DAC16A
Common	Negative common, per 16 points
Rated input/load voltage	24 Vdc \pm 10%
Rated output current	0.25 A per point, 2.0 A per common
Isolation	I/O to FLEX NETWORK to power to FG

I/O type Model No.	Discrete input, NPN, 8 points / PNP transistor output, 8 points R7FN-DAC16B
Common	Positive common, per 16 points
Rated input/load voltage	24 Vdc \pm 10%
Rated output current	0.25 A per point, 2.0 A per common
Isolation	I/O to FLEX NETWORK to power to FG

EXTERNAL DIMENSIONS mm (inch)



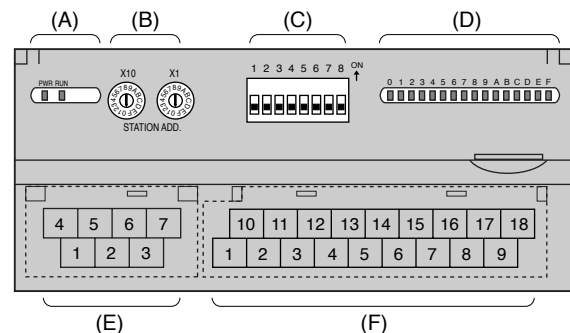
I/O type Model No.	Relay output, 8 points R7FN-DC8C
Common	1 common per 4 points (4 terminals)
Rated load	250 Vac @1 A (cos ϕ =1)* 30 Vdc @1 A (resistive load) *For CE conformity: Limited to the use for Measurement Category I, or to 125 Vac for Measurement Category II
Relay drive power input	24 Vdc \pm 10%, minimum 60 mA
Isolation	Output to FLEX NETWORK to power to FG

COMMON SPECIFICATIONS

Power input	24 Vdc \pm 10%
Dielectric strength	1500 Vac @1 minute between isolated circuits
Insulation resistance	\geq 100 M Ω with 500 Vdc
Operating temperature	-10 to +55°C (14 to 131°F)
Mounting	DIN rail (35 mm wide)
Connection	M3 screw terminals (nickel-plated steel)
Network cable	Pro-face FN-CABLE2010-31-MS (10 meters) FN-CABLE2050-31-MS (50 meters) FN-CABLE2200-31-MS (200 meters)
CE conformity	EMC Directive (2004/108/EC) EN 61000-6-4 (EMI) EN 61000-6-2 (EMS) Low Voltage Directive (2006/95/EC)** EN 61010-1

**R7FN-DC8C only

FRONT VIEW



- (A) Status Indicator LED
- (B) Station Address Setting Rotary SW
- (C) Operating Mode Setting DIP SW (SW1)
- (D) Discrete I/O Status Indicator LED
- (E) Network, Power Supply Terminals
- (F) I/O Terminals

Your local representative: