

BEFORE USE

Thank you for choosing us. Before use, check the contents of the package you received.

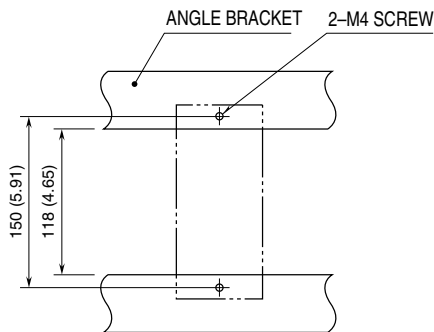
If you have any problems or questions with the product, please contact our sales office or representatives.

INSTALLATION

■ ENVIRONMENT

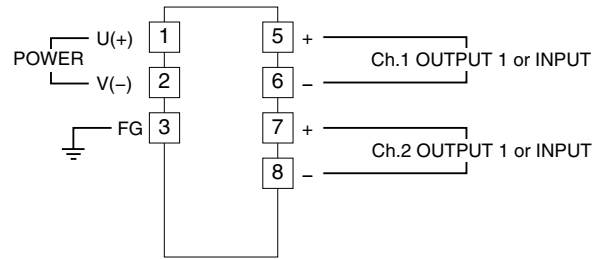
- Indoor use
- When heavy dust or metal particles are present in the air, install the unit inside proper housing with sufficient ventilation.
- Do not install the unit where it is subjected to continuous vibration. Do not apply physical impact to the unit.
- Environmental temperature must be within -5 to +55°C (23 to 131°F) or 0 to 55°C (32 to 131°F) for AC power supply, with relative humidity within 30 to 90% RH in order to ensure adequate life span and operation.

MOUNTING REQUIREMENTS mm (inch)



TERMINAL CONNECTIONS

Connect the unit as in the diagram below.



CHECKING

- 1) Terminal wiring: Check that all cables are correctly connected according to the connection diagram.
- 2) Power input voltage: Check voltage across terminals 1 – 2. For DC power source, be sure that the ripple level is 10% p-p or less.
- 3) Installation & environment: Check ambient temperature. Also check that there are no excessive dust particles around. Check that there is no vibration.