

**STANDARD RACK**  
(Toshiba DCS VTBU card use)

**MODEL 18KBXC-E4**

**BEFORE USE ....**

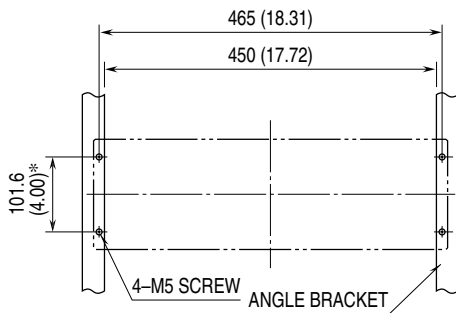
Thank you for choosing us. Before use, check the contents of the package you received.  
If you have any problems or questions with the product, please contact our sales office or representatives.

**INSTALLATION**

**■ ENVIRONMENT**

- Indoor use
- When heavy dust or metal particles are present in the air, install the unit inside proper housing with sufficient ventilation.
- Do not install the unit where it is subjected to continuous vibration. Do not apply physical impact to the unit.
- Environmental temperature must be within -5 to +55°C (23 to 131°F) with relative humidity within 30 to 90% RH in order to ensure adequate life span and operation.
- Be sure that the ventilation slits are not covered with cables, etc.

**MOUNTING REQUIREMENTS mm (inch)**

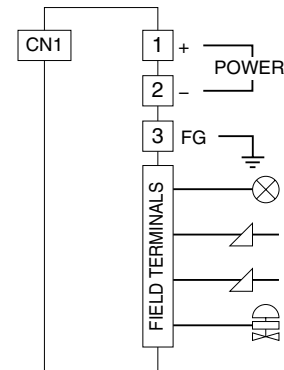


Observe an appropriate wiring space over and below.  
\*100 (3.94) for JIS standard

**TERMINAL CONNECTIONS**

Connect the unit as in the diagram below.

**■ CONNECTION DIAGRAM**



**■ CONNECTOR PIN ASSIGNMENT**

**Output connector:** (57LE-40360-7700)

**CN1:** VTBU card use

The output 1 is connected to the connector.

PIN NO.	ASSIGNMENT	PIN NO.	ASSIGNMENT
1	ch. 1 +	19	ch. 1 -
2	ch. 2 +	20	ch. 2 -
3	ch. 3 +	21	ch. 3 -
4	ch. 4 +	22	ch. 4 -
5	ch. 5 +	23	ch. 5 -
6	ch. 6 +	24	ch. 6 -
7	ch. 7 +	25	ch. 7 -
8	ch. 8 +	26	ch. 8 -
9	ch. 9 +	27	ch. 9 -
10	ch.10 +	28	ch.10 -
11	ch.11 +	29	ch.11 -
12	ch.12 +	30	ch.12 -
13	ch.13 +	31	ch.13 -
14	ch.14 +	32	ch.14 -
15	ch.15 +	33	ch.15 -
16	ch.16 +	34	ch.16 -

17, 18, 35 and 36: Unused

**CHECKING**

- 1) Terminal wiring: Check that all cables are correctly connected according to the connection diagram.
- 2) Power input voltage: Check voltage across terminals 1 (+) - 2 (-). Use a power source of ripple level 10% p-p or less.
- 3) Installation & environment: Check ambient temperature. Also check that there are no excessive dust particles around. Check that there is no vibration.