

**STANDARD RACK**  
(Yamatake DCS PI connector)

**MODEL 18KBXC-K5**

**BEFORE USE ....**

Thank you for choosing us. Before use, check the contents of the package you received as outlined below. If you have any problems or questions with the product, please contact our sales office or representatives.

■ **PACKAGE INCLUDES:**

Standard rack.....(1)

■ **MODEL NO.**

Confirm that the model number described on the product is exactly what you ordered.

■ **INSTRUCTION MANUAL**

This manual describes necessary points of caution when you use this product, installation, connection and basic maintenance procedures.

**POINTS OF CAUTION**

■ **POWER INPUT RATING & OPERATIONAL RANGE**

24 V DC  $\pm 10\%$ , 2.5 A minimum

■ **ENVIRONMENT**

- When heavy dust or metal particles are present in the air, install the unit inside proper housing with sufficient ventilation.
- Do not install the unit where it is subjected to continuous vibration. Do not apply physical impact to the unit.
- Environmental temperature must be within  $-5$  to  $+55^{\circ}\text{C}$  ( $23$  to  $131^{\circ}\text{F}$ ) with relative humidity within 30 to 90% RH in order to ensure adequate life span and operation.
- Be sure that the ventilation slits are not covered with cables, etc.

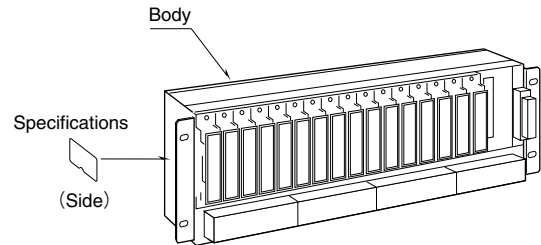
■ **WIRING**

- Do not install cables (power supply, input and output) close to noise sources (relay drive cable, high frequency line, etc.).
- Do not bind these cables together with those in which noises are present. Do not install them in the same duct.

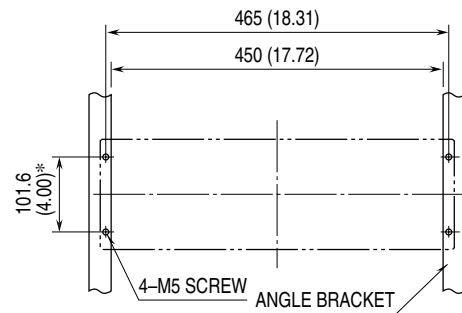
■ **AND ....**

- The unit is designed to function as soon as power is supplied, however, a warm up for 10 minutes is required for satisfying complete performance described in the data sheet.

**COMPONENT IDENTIFICATION**



**MOUNTING REQUIREMENTS mm (inch)**



Observe an appropriate wiring space over and below.  
\*100 (3.94) for JIS standard

**CHECKING**

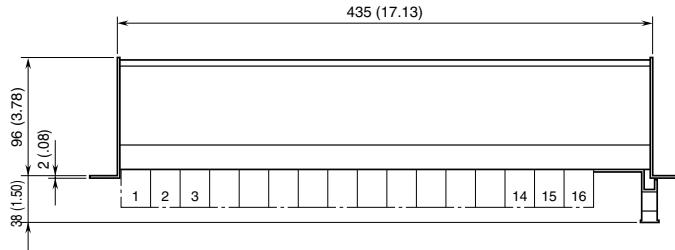
- 1) Terminal wiring: Check that all cables are correctly connected according to the connection diagram.
- 2) Power input voltage: Check voltage across terminals 1 (+) – 2 (-). Use a power source of ripple level 10% p-p or less.
- 3) Installation & environment: Check ambient temperature. Also check that there are no excessive dust particles around. Check that there is no vibration.

# TERMINAL CONNECTIONS

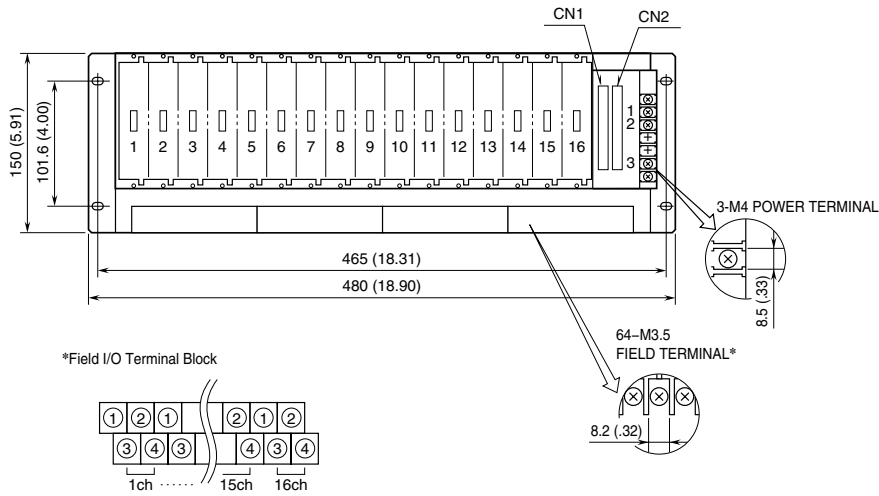
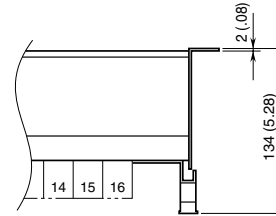
Connect the unit as in the diagram below.

## EXTERNAL DIMENSIONS mm (inch)

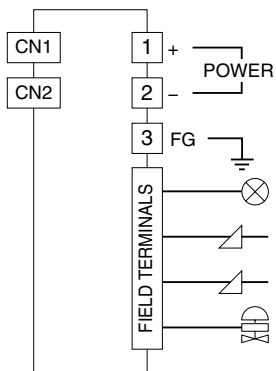
### RACK (standard)



### SURFACE (option /W)



## CONNECTION DIAGRAM



## ■ CONNECTOR PIN ASSIGNMENT

### Location

Output connector: 57LE-40500-7300

CN1, CN2: PI use

18K-RACK LOCATION NO.															
1	2	3	4	5	6	7	8	9	10	11	12	13	14	15	16
1	2	3	4	5	6	7	8	1	2	3	4	5	6	7	8
CN1								CN2							
YAMATAKE DCS PI CARD (J-PIM00) INPUT								YAMATAKE DCS PI CARD (J-PIM00) INPUT							

### Connector Pin Assignment (CN1, CN2)

1, 36, 38, 39, 41, 42, 43 and 45 in CN1 and CN2 are connected.

2, 34, 35, 37, 40, 44, 46 and 47 in CN1 and CN2 are connected.

48 and 49 in CN1 and CN2 are connected.

The output 1 is connected to the connector.

PIN NO. (CN1)	ASSIGNMENT	PIN NO. (CN2)	ASSIGNMENT
3	ch. 1 +	3	ch. 9 +
4	ch. 1 -	4	ch. 9 -
5	ch. 2 +	5	ch.10 +
6	ch. 2 -	6	ch.10 -
7	ch. 3 +	7	ch.11 +
8	ch. 3 -	8	ch.11 -
9	ch. 4 +	9	ch.12 +
10	ch. 4 -	10	ch.12 -
27	ch. 5 +	27	ch.13 +
26	ch. 5 -	26	ch.13 -
29	ch. 6 +	29	ch.14 +
28	ch. 6 -	28	ch.14 -
31	ch. 7 +	31	ch.15 +
30	ch. 7 -	30	ch.15 -
33	ch. 8 +	33	ch.16 +
32	ch. 8 -	32	ch.16 -
11 - 25 and 50 (CN1, CN2): Unused			