

STANDARD RACK
(Yokogawa DCS MAC2 / PAC card use)

MODEL 18KBXW-Y1

BEFORE USE

Thank you for choosing us. Before use, check the contents of the package you received as outlined below. If you have any problems or questions with the product, please contact our sales office or representatives.

■ **PACKAGE INCLUDES:**

- Standard rack.....(1)
- Protection cover.....(1)
- Screw for attaching protection cover.....(1)

■ **MODEL NO.**

Confirm that the model number described on the product is exactly what you ordered.

■ **INSTRUCTION MANUAL**

This manual describes necessary points of caution when you use this product, installation, connection and basic maintenance procedures.

POINTS OF CAUTION

■ **POWER INPUT RATING & OPERATIONAL RANGE**

24 V DC $\pm 10\%$, 2.5 A minimum

■ **ENVIRONMENT**

- When heavy dust or metal particles are present in the air, install the unit inside proper housing with sufficient ventilation.
- Do not install the unit where it is subjected to continuous vibration. Do not apply physical impact to the unit.
- Environmental temperature must be within -5 to $+55^{\circ}\text{C}$ (23 to 131°F) with relative humidity within 30 to 90% RH in order to ensure adequate life span and operation.
- Be sure that the ventilation slits are not covered with cables, etc.

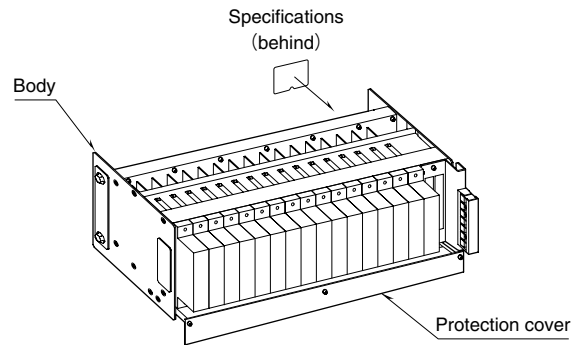
■ **WIRING**

- Do not install cables (power supply, input and output) close to noise sources (relay drive cable, high frequency line, etc.).
- Do not bind these cables together with those in which noises are present. Do not install them in the same duct.

■ **AND**

- The unit is designed to function as soon as power is supplied, however, a warm up for 10 minutes is required for satisfying complete performance described in the data sheet.

COMPONENT IDENTIFICATION



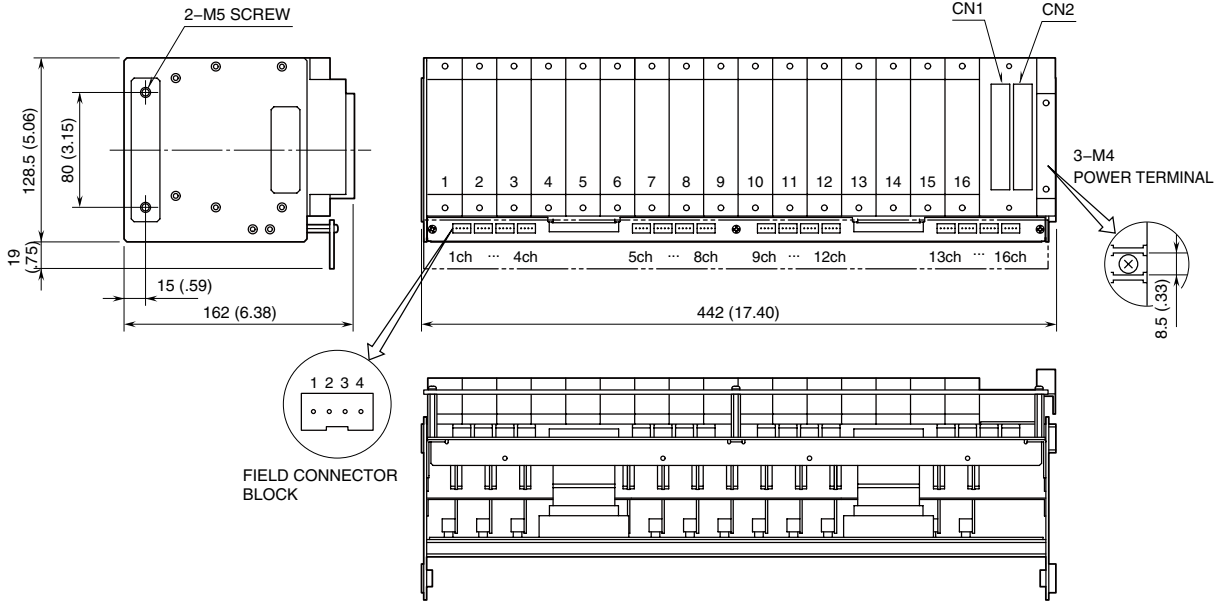
CHECKING

- 1) Terminal wiring: Check that all cables are correctly connected according to the connection diagram.
- 2) Power input voltage: Check voltage across terminals 1 (+) – 2 (-). Use a power source of ripple level 10% p-p or less.
- 3) Installation & environment: Check ambient temperature. Also check that there are no excessive dust particles around. Check that there is no vibration.

TERMINAL CONNECTIONS

Connect the unit as in the diagram below.

EXTERNAL DIMENSIONS mm (inch)



CONNECTOR PIN ASSIGNMENT

Location

I/O connector: PS-40PE-D4LT1-PN1

CN1: MAC2 / PAC card use*

CN2: MAC2 / PAC card use* (for redundancy)

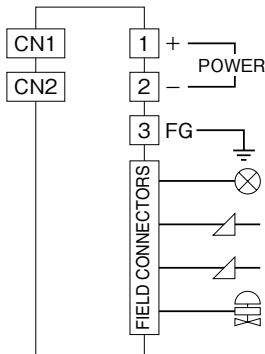
The input or output 1 is connected to the connector.

18K-RACK LOCATION NO.															
1	2	3	4	5	6	7	8	9	10	11	12	13	14	15	16
1	1	2	2	3	3	4	4	5	5	6	6	7	7	8	8
i	o	i	o	i	o	i	o	i	o	i	o	i	o	i	o
MAC2/PAC CARD I/O (i = input, o = output)															

*MAC2 card (uses KS1 cable)

I/O card used for control I/O. Composed of 8 inputs and 8 outputs. Input and output are paired. (Replace with pulse inputs for PAC card.)

CONNECTION DIAGRAM

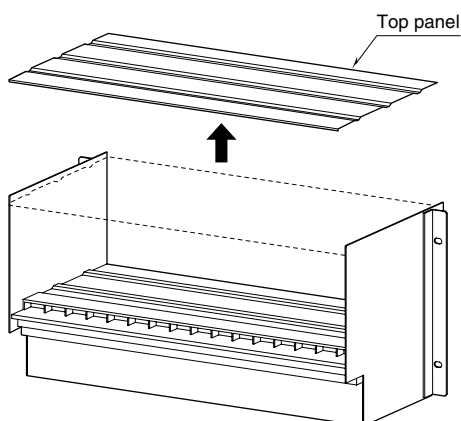


Note 1: For 18KTS and 18KJT models, directly connect input signals to input terminals of the converter and do not connect to Field Connectors.
 Note 2: Field Connector numbers correspond to Terminal numbers of the converters.

INSTALLATION

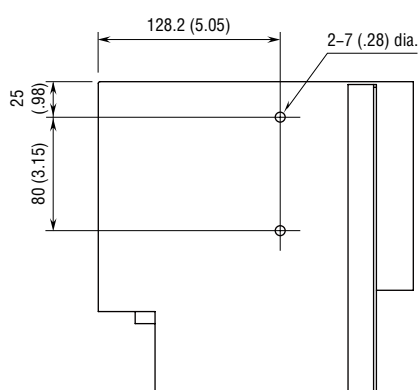
■ MACHINING METHOD FOR YOKOGAWA RACK

1) Remove the top panel.



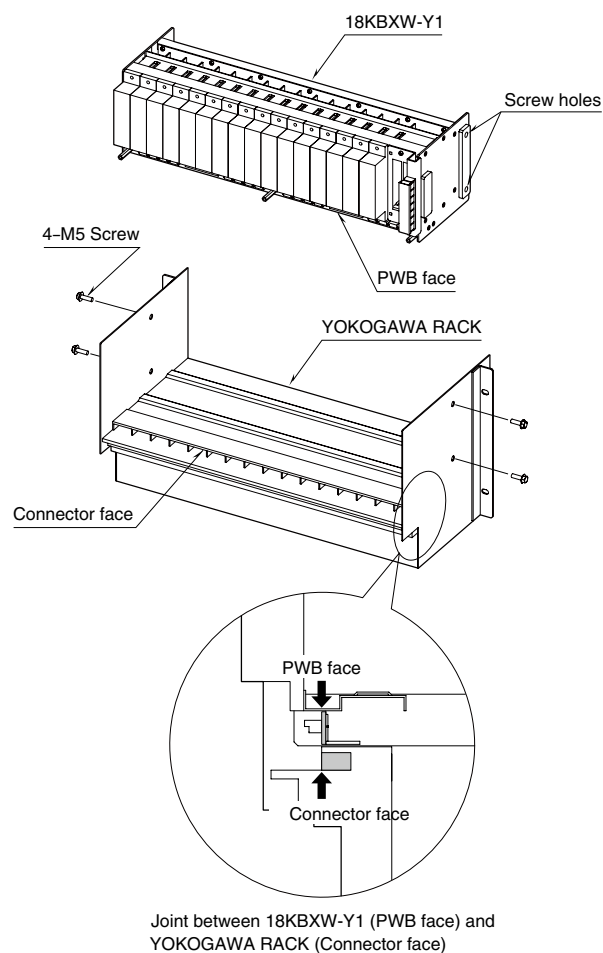
2) Make holes in both side panels.

DIMENSIONS mm (inch) (Both side panels)



■ RACK MOUNTING METHOD

1) Mount 18KBXW-Y1 on the machined YOKOGAWA RACK so that the PWB face of 18KBXW-Y1 fits together with the connector face of YOKOGAWA RACK.



2) Fasten 18KBXW-Y1 and YOKOGAWA RACK together with screws and attach the protection cover.

