

CLOCK GENERATOR

MODEL 20VS5-2

BEFORE USE

Thank you for choosing us. Before use, please check contents of the package you received as outlined below. If you have any problems or questions with the product, please contact our sales office or representatives.

PACKAGE INCLUDES:

Clock generator..... (1)

MODEL NO.

Confirm Model No. marking on the product to be exactly what you ordered.

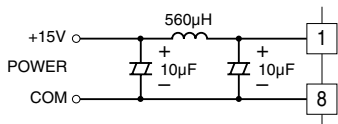
INSTRUCTION MANUAL

This manual describes necessary points of caution when you use this product, including installation, connection and basic maintenance procedures.

POINTS OF CAUTION

POWER INPUT RATING & OPERATIONAL RANGE

- Power Supply
Operational voltage range: 15 V DC $\pm 5\%$
Power consumption: Approx. 7 mA DC (no load), approx. 15 mA per one 20VS5-210 or 20VS5-213.
Install the filter for the power supply as indicated below.



ENVIRONMENT

- Indoor use
- Do not install the unit where it is subjected to continuous vibration. Do not subject the unit to physical impact.
- Environmental temperature must be within -10 to +70°C (14 to 158°F) with relative humidity within 30 to 90% RH in order to ensure adequate life span and operation.

WIRING

- Do not install cables (power supply, input and output) close to noise sources (relay drive cable, high frequency line, etc.).
- Do not bind these cables together with those in which noises are present. Do not install them in the same duct.

INSTALLING THE MODULE

When it is installed on the printed wiring board, land diameter $\phi 1.5$ and through-hole $\phi 0.9$ are recommended.

AND

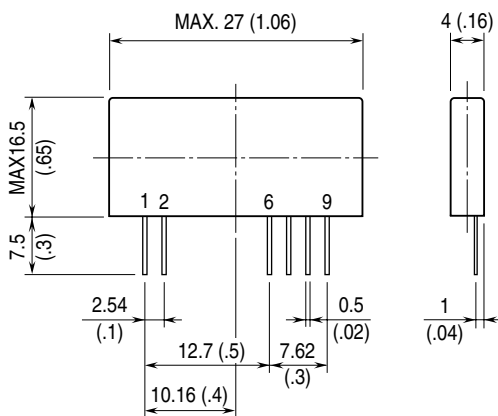
- The unit is designed to function as soon as power is supplied, however, a warm up for 10 minutes is required for satisfying complete performance described in the data sheet.
- Do not leave the output terminals shortcircuited for a long time. The unit is designed to endure it without breakdown, however, it may shorten appropriate life duration.

CHECKING

- 1) Terminal wiring: Check that wiring is correctly connected according to the connection diagram.
- 2) Power input voltage: Check voltage across the pins.

TERMINAL CONNECTIONS

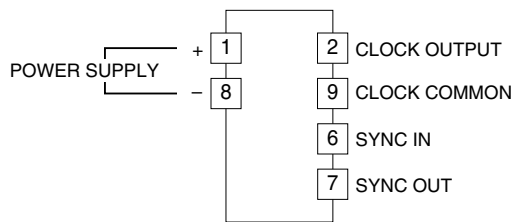
EXTERNAL DIMENSIONS mm (inch)



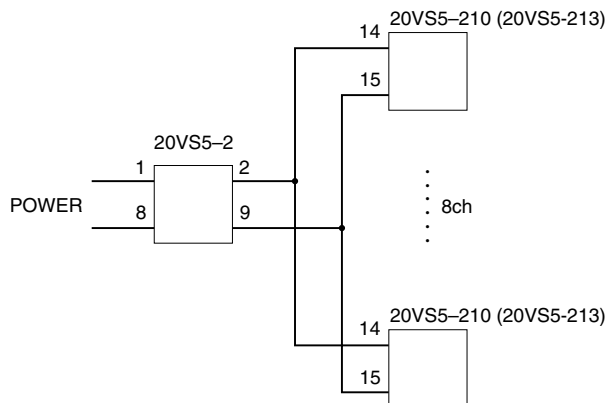
PIN ASSIGNMENT

1	POWER SUPPLY (+)
2	CLOCK OUTPUT
6	SYNC IN
7	SYNC OUT
8	POWER SUPPLY (-)
9	CLOCK COMMON

■ TERMINAL ASSIGNMENTS



APPLICATION EXAMPLES



Clock generator model 20VS5-2 is capable of driving up to 8 of 20VS5-210 or 20VS5-213. When driving more than 8 modules, the daisy chain connection as shown below is available.

