

BEFORE USE

Thank you for choosing us. Before use, check the package you received as below.

If you have any problems or questions with the product, please contact our sales office or representatives.

■ PACKAGE INCLUDES:

Relay Card(1)

■ MODEL NO.

Confirm that the model number described on the product is exactly what you ordered.

■ INSTRUCTION MANUAL

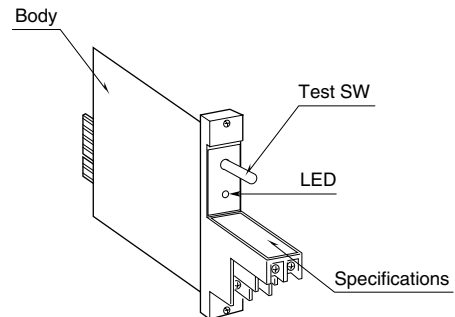
This manual describes necessary points of caution when you use this product, installation, connection and basic maintenance procedures.

POINTS OF CAUTION**■ ENVIRONMENT**

- Indoor use
- When heavy dust or metal particles are present in the air, install the unit inside proper housing and ventilate it.
- Do not install the unit where it is subjected to continuous vibration. Do not apply physical impact to the unit.
- Environmental temperature must be within -5 to +55°C (23 to 131°F) with relative humidity within 30 to 90% RH in order to ensure adequate life span and operation.

■ WIRING

- Do not install cables (power supply, input and output) close to noise sources (relay drive cable, high frequency line, etc.).
- Do not bind these cables together with those in which noises are present. Do not install them in the same duct.

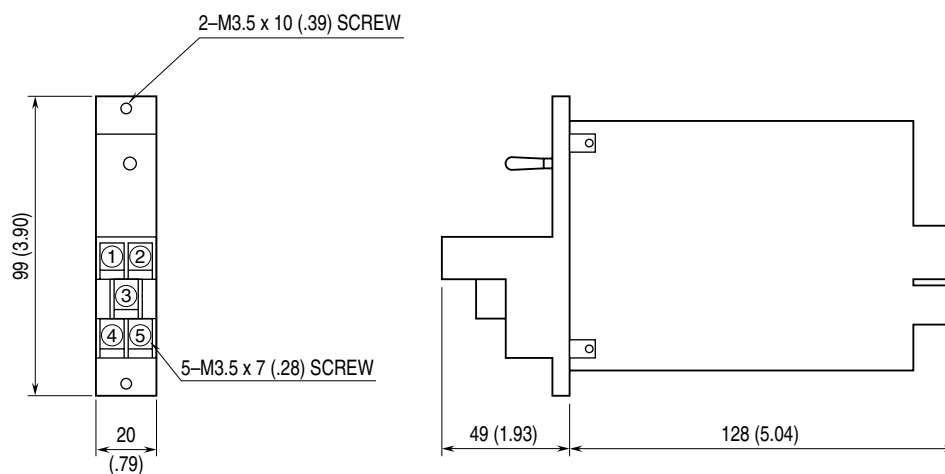
COMPONENT IDENTIFICATION**INSTALLATION**

Use Standard Rack model 38D2-B.

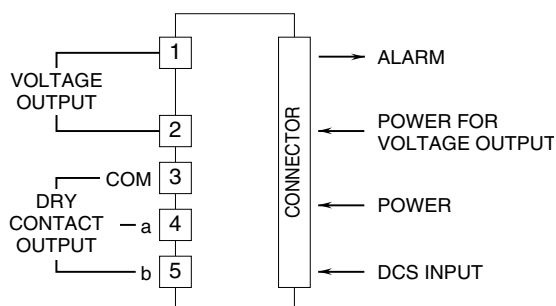
TERMINAL CONNECTIONS

Connect the unit as in the diagram below.

■ DIMENSIONS mm (inch)



■ CONNECTION DIAGRAM



CHECKING

- 1) Terminal wiring: Check that all cables are correctly connected according to the connection diagram.
- 2) Relay operation: Check relations between the input and output signals.
- 3) Voltage output: When powering the voltage output from

TEST SW	INPUT	LED	OUTPUT		
			1 - 2*	3 - 4*	3 - 5*
AUTO	OFF	OFF	OFF	OFF	ON
AUTO	ON	ON	ON	ON	OFF
OFF	—	OFF	OFF	OFF	ON
ON	—	ON	ON	ON	OFF

*Front terminal No.

a DC source, insert the internal jumper pin into "CLOSE" side to connect spark quenching diode.