

ANALOG I/O MODULE
(Fuji Electric T-Link use)

MODEL

61F**BEFORE USE**

Thank you for choosing us. Before use, please check contents of the package you received as outlined below.

If you have any problems or questions with the product, please contact our sales office or representatives.

■ PACKAGE INCLUDES:

Analog I/O module (body + base socket)(1)

■ MODEL NO.

Confirm Model No. marking on the product to be exactly what you ordered.

■ INSTRUCTION MANUAL

This manual describes necessary points of caution when you use this product, including installation, connection and basic maintenance procedures.

POINTS OF CAUTION**■ POWER INPUT RATING & OPERATIONAL RANGE**

- Locate the power input rating marked on the product and confirm its operational range as indicated below:
85 – 132V AC rating: 85 – 132V, 47 – 66 Hz, approx. 3VA
24V DC rating: 24V ±10%, approx. 4W, approx. 160mA

■ GENERAL PRECAUTIONS

- Before you remove the unit or mount it, turn off the power supply, input signal and output signal for safety.

■ ENVIRONMENT

- Indoor use.
- When heavy dust or metal particles are present in the air, install the unit inside proper housing with sufficient ventilation.
- Do not install the unit where it is subjected to continuous vibration. Do not subject the unit to physical impact.
- Environmental temperature must be within -5 to +55°C (23 to 131°F) with relative humidity within 30 to 90% RH in order to ensure adequate life span and operation.

■ WIRING

- Do not install cables close to noise sources (relay drive cable, high frequency line, etc.).
- Do not bind these cables together with those in which noises are present. Do not install them in the same duct.

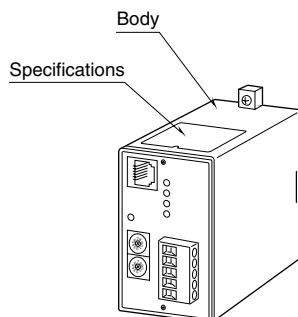
■ AND

- The unit is designed to function as soon as power is supplied, however, a warm up for 10 minutes is required for satisfying complete performance described in the data sheet.

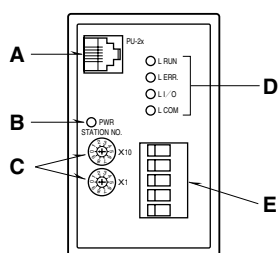
INSTALLATION

Use the Installation Base (model: MxBS2).

COMPONENT IDENTIFICATION



FRONT PANEL CONFIGURATION

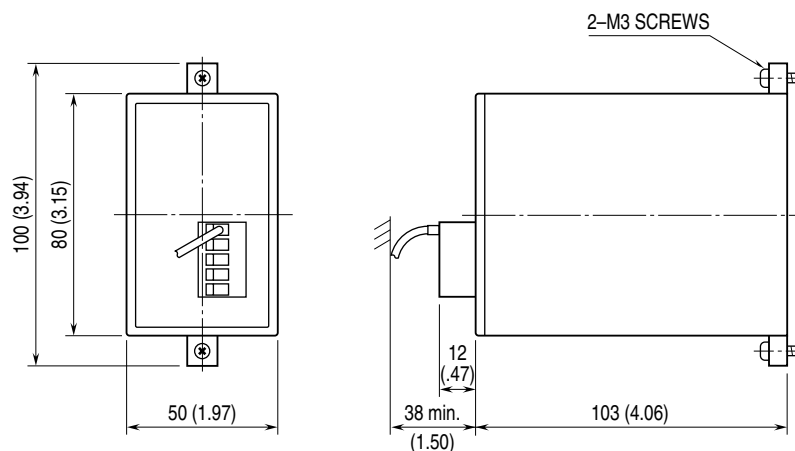


	NAME	FUNCTIONS	
A	Modular jack for factory calibration	Used only for factory calibration.	
B	Power indicator LED	MARKING (color)	FUNCTIONS
		PWR (green)	ON: Powered. OFF: No Power
C	Station No. setting	Selectable within 00 – 99. (factory set to: 00)	
D	Status indicator LED	MARKING (color)	FUNCTIONS
		L RUN (red)	ON: Normal Communication OFF: Communication Cutoff (Timeout Error)
		L ERR. (red)	ON: Communication Data Error OFF: Normal Communication
		L I/O (red)	Blinking during normal I/O function
E	Euro type connector terminal for T-Link	L COM (red)	Blinking during normal T-Link Communication
		For wiring to T-Link	

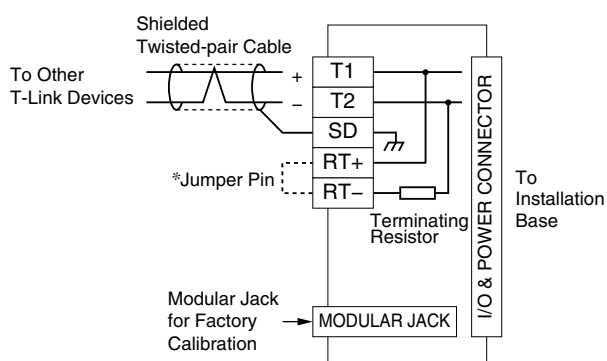
TERMINAL CONNECTIONS

Connect the unit as in the diagram below.

EXTERNAL DIMENSIONS unit: mm (inch)



CONNECTION DIAGRAM



- * When the unit is located at the end of transmission line via twisted-pair cable (= no cross-wiring), short across the RT+ and RT- terminals with the jumper pin (or wire) provided with the unit.
Remove the jumper pin for the one not located at the end.
Note: Use terminals T1, T2 and SD for cross-wiring.

WIRING INSTRUCTIONS

EURO TYPE CONNECTOR TERMINAL (T-Link)

Applicable wire size: 0.2 to 2.5 mm² (AWG24 to 12)
Stripped length: 7 mm

LIGHTNING SURGE PROTECTION

We offer a series of lightning surge protectors for protection against induced lightning surges. Please contact us to choose appropriate models.