

BEFORE USE

Thank you for choosing us. Before use, please check contents of the package you received as outlined below.

If you have any problems or questions with the product, please contact our sales office or representatives.

■ PACKAGE INCLUDES:

Outdoor enclosure	(1)
Mounting screws	
Bolt (M8 × 15)	(4)
Spring washer for M8	(4)
Mounting screws for the B6U Transmitter	
Screw (M4 × 30)	(2)
Spring washer for M4	(2)
Mounting bracket assembly (option)	
Mounting bracket	(1)
M10 U-bolt	(2)
Nut for M10	(4)
Spring washer for M10	(4)

■ MODEL NO.

Confirm Model No. marking on the product to be exactly what you ordered.

■ INSTRUCTION MANUAL

This manual describes necessary points of caution when you use this product, including installation, connection and basic maintenance procedures.

POINTS OF CAUTION

This product itself is not explosion-proof certified.

■ ENVIRONMENT

- Environmental temperature must be within -40 to +85°C (-40 to 185°F) in order to ensure adequate life span and operation. Observe the operating temperature range for the transmitter installed inside the housing if the latter is narrower than the former.
- Do not install the unit where it is subjected to continuous vibration. Do not subject the unit to physical impact.
- Seal the unused electrical conduits.

INSTALLATION**■ MODEL B6Ux TRANSMITTER**

- 1) First remove the LCD module from the transmitter. Hold the levers at the side and pull.
- 2) Use the screws included in the package and mount the transmitter module to the housing.
- 3) Re-attach the LCD module. Hold the levers in the same manner and push in.

Refer to the B6U/B6U-B instruction manual (EM-7451-A) for detailed information.

Note: Mounting screws for the B6U Transmitter are not used except for B6Ux Transmitter.

■ MODEL 6XX TRANSMITTER

- 1) Attach the Spring Clips (model: A-02) to the transmitter.
- 2) Hold the clips with your fingers and put the transmitter inside the housing.
- 3) Release the clips so that the contraction of the clips holds the transmitter.

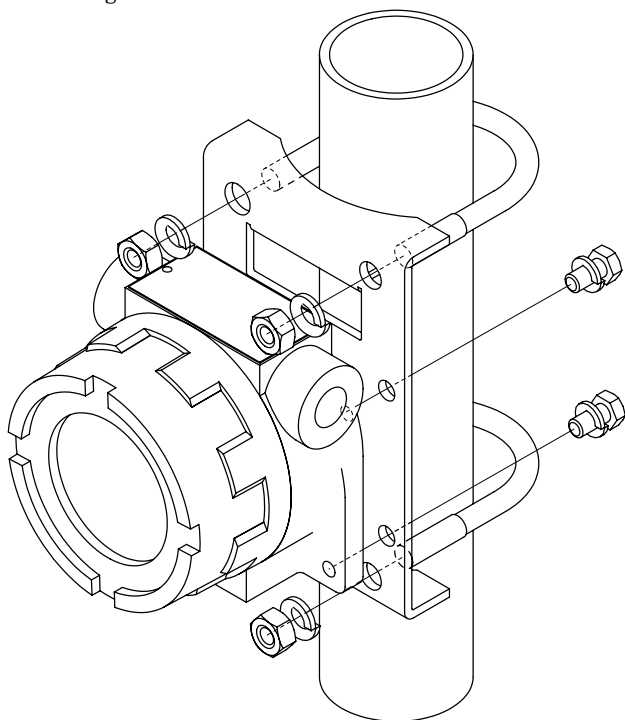
Refer to the A-02 instruction manual (EM-4249-02) for detailed information.

■ MODEL 43ALx DIGITAL PANEL METER

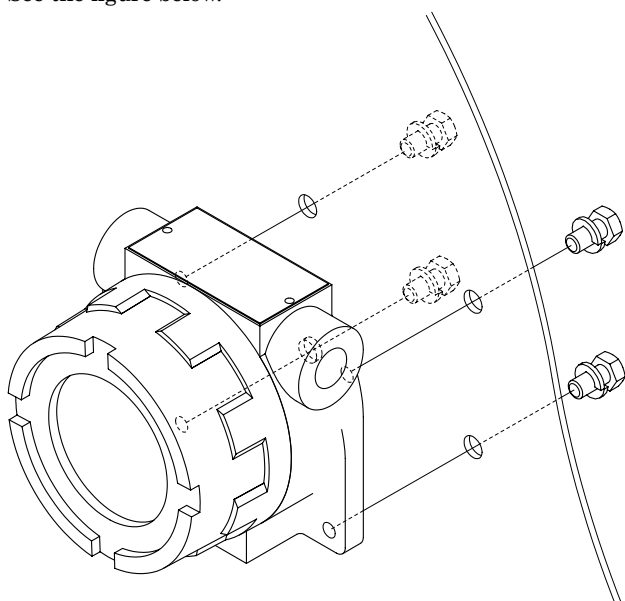
Model A-35 Mounting Adaptor is required to mount the 43ALx inside the enclosure. Refer to the A-35 instruction manual (EM-7429) for detailed information.

■ MOUNTING THE ENCLOSURE ON A PIPE

See the figure below.

**■ MOUNTING THE ENCLOSURE ON A WALL**

See the figure below.



EXTERNAL DIMENSIONS unit: mm (inch)
