

BEFORE USE

Thank you for choosing us. Before use, please check contents of the package you received as outlined below. If you have any problems or questions with the product, please contact our sales office or representatives.

■ PACKAGE INCLUDES:

- DIN rail mounting adaptor.....(1)
- Screws for mounting (M4 × 8).....(2)

■ INSTRUCTION MANUAL

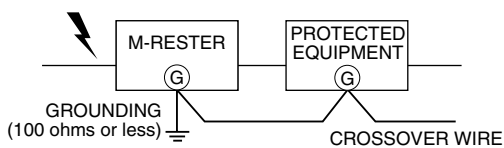
This manual describes necessary points of caution when you install this product.

POINTS OF CAUTION

A crossover wire between M-RESTER ground (G) and ground (G) of the protected equipment is required for protection as indicated in the figure below.

If the protected equipment has no ground terminal, ground the M-RESTER only. The mounting screw of the A-33 serves as the ground (G) terminal. Connect the crossover wire to this terminal.

■ GROUNDING



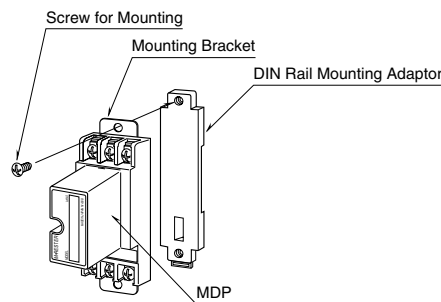
A crossover wire between M-RESTER ground and the ground or metallic housing of the equipment is required for protection. If the protected equipment has no ground terminal, ground the M-RESTER only. When the M-RESTER is mounted with DIN Rail Mounting Adaptor, connect the grounding wire to the mounting screw of the M-RESTER.

INSTALLATION

You are able to install a MDP type M-RESTER onto a DIN rail by using this product.

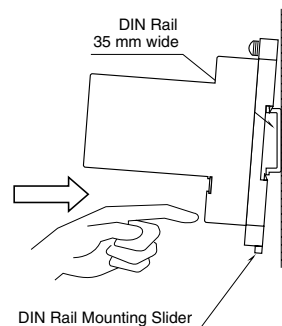
1. MOUNTING ONTO THE ADAPTOR

Before DIN rail mounting, secure the mounting bracket of MDP to this product with a screw provided with this product. In this step, secure at one point.



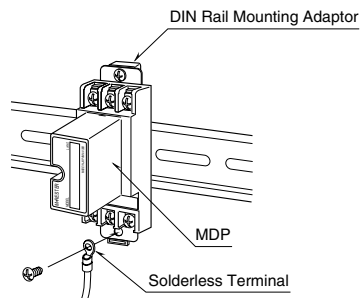
2. DIN RAIL MOUNTING

Set the base socket so that its DIN rail adaptor is at the bottom. Position the upper hook at the rear side of base socket on the DIN rail and push in the lower. When removing the socket, push down the DIN rail adaptor utilizing a minus screwdriver and pull.

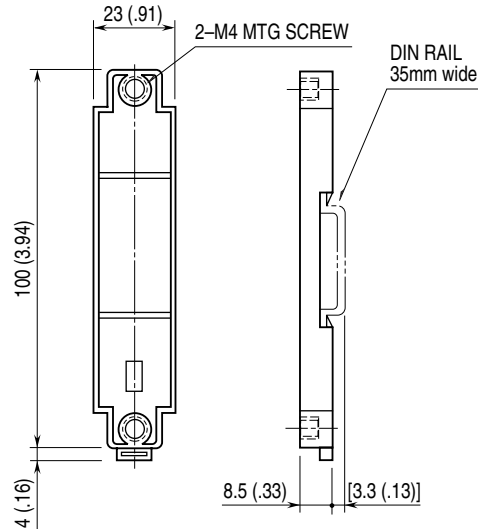


3. GROUNDING

Secure the mounting bracket at the other point with the other screw. In this step, secure the grounding wire together with the screw.

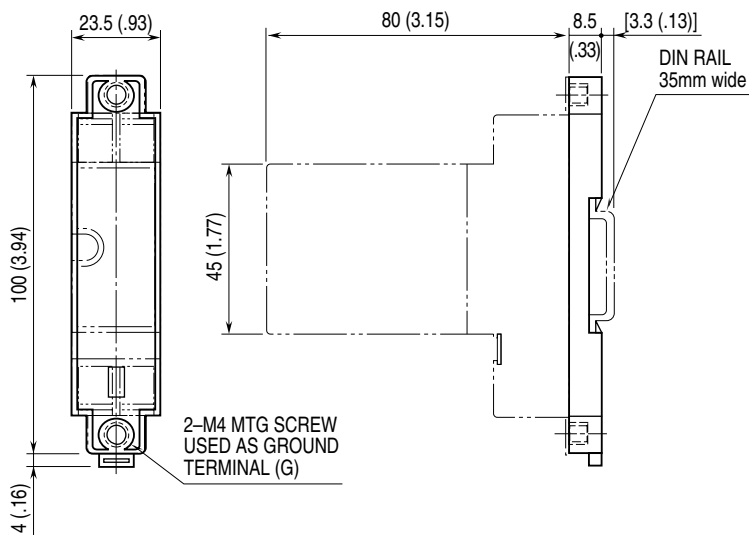


EXTERNAL DIMENSIONS unit: mm (inch)



MOUNTING REQUIREMENTS unit: mm (inch)

■ 2-WIRE



■ 3-WIRE

