

<b>MOUNTING SPACER</b>	MODEL <b>A-6</b>
------------------------	------------------

**BEFORE USE ....**

Thank you for choosing us. Before use, please check contents of the package you received as outlined below. If you have any problems or questions with the product, please contact our sales office or representatives.

**■ PACKAGE INCLUDES:**

MODEL NO.	A-6-S	A-6-L	A-6-26	A-6-27
PACKING LIST				
Mounting spacer	Space 14.5 mm, 2 pcs.	Space 30 mm, 2 pcs.	Space 17 mm, 2 pcs.	Space 20 mm, 2 pcs.
Screw	M4 × 16, 2 pcs.	M4 × 25, 2 pcs.		
Nut	M4, 2 pcs.			
Spring washer	M4, 2 pcs.			
Plain washer	----	External diameter: 10 mm, Internal diameter: 4.3 mm, 4 pcs.		
O-ring	----	S4, 2 pcs.		
Wire	----		Pin connector / Pin connector 150 mm, 1 pc.	Pin connector / Spade tongue 150 mm, 1 pc.

**■ MODEL NO.**

Confirm Model No. marking on the product to be exactly what you ordered.

**■ INSTRUCTION MANUAL**

This manual describes necessary points of caution when you use this product.

**POINTS OF CAUTION**

**■ GENERAL PRECAUTIONS**

- Before you install or remove this adaptor, turn off the power supply and input signal to the adapted device for safety.

**■ ENVIRONMENT**

- Indoor use.
- When heavy dust or metal particles are present in the air, install the product inside a proper housing with sufficient ventilation.
- Do not install the product where it is subjected to continuous vibration. Do not subject the unit to physical impact.
- Environmental temperature must be within -40 to +85°C (-40 to +185°F; limited within the range described for the adapted device) with relative humidity within 0 to 90% RH in order to ensure adequate life span and operation.

## INSTALLATION

The A-6 allows the 6DV Indicator mounted on a surface or inside the 6BX-E Outdoor Enclosure, with or without the 26-UNIT and 27-UNIT Field-mount Transmitter.

Attach the spacer on the wall/panel surface or inside the 6BX-E enclosure before tightening the screws on the 6DV to the spacer.

Use the spacer screws to attach the 26-UNIT or 27-UNIT transmitter (spacer torque 0.8 N·m, screw torque 0.8 N·m).

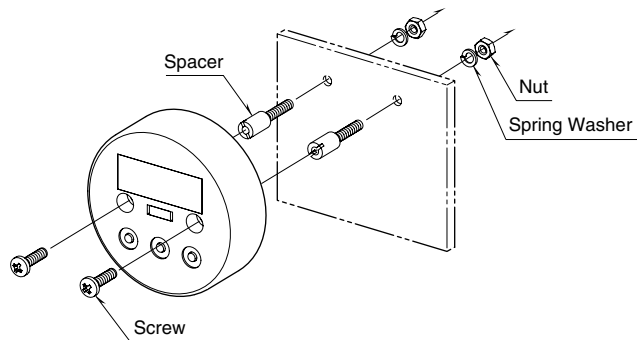
The spacer screws may be loosened when loosening the mounting screws on the 6DV indicator connected to the 26-UNIT or 27-UNIT transmitter via the spacer. Confirm that the spacer screws are tightened before tightening the 6DV indicator. If it is difficult to loosen only the mounting screws because of both screws turning together, detach them together first and then loosen the mounting screws only by holding the spacer screw from behind.

Use the wire included in the package to connect between the 26-UNIT or 27-UNIT transmitter and the 6DV indicator. For more information, refer to the connection diagram for the 6DV.

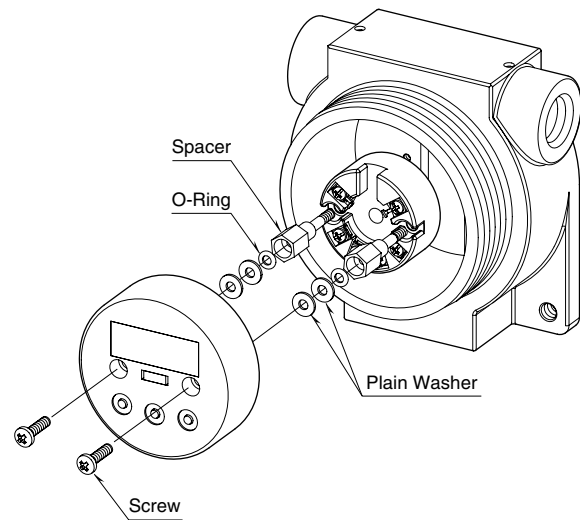
When the A-6 is attached to the wall surface or to the 6BX-E, the spring washers and the O-rings are not used.

### ■ HOW TO ATTACH THE SPACER

#### • Panel Mounting (model: A-6-S)

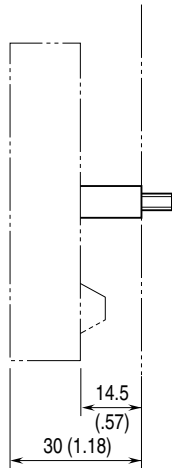


#### • Outdoor Enclosure model: 6BX-E (model: A-6-27)

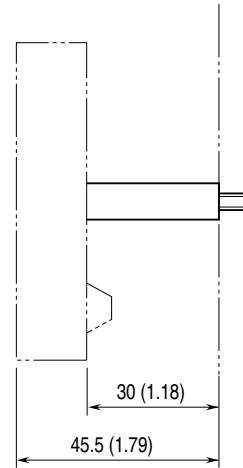


**EXTERNAL DIMENSIONS** unit: mm (inch)

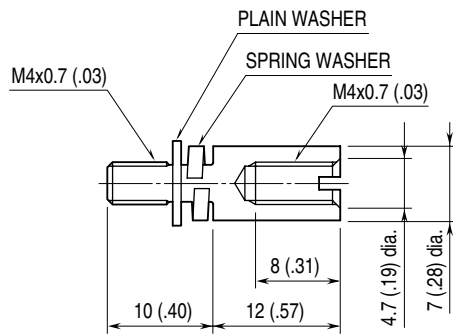
■ MOUNTING MODEL 6DV (model: A-6-S)



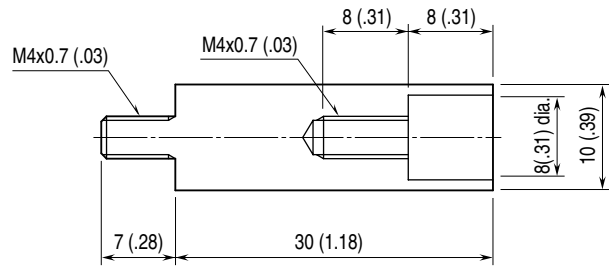
■ MOUNTING MODEL 6DV (model: A-6-L)



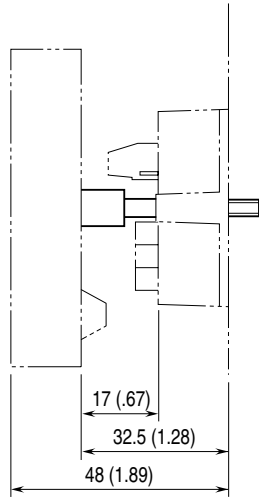
• SPACER



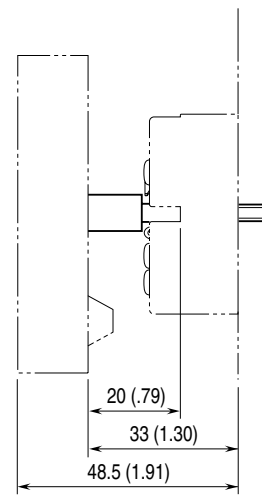
• SPACER



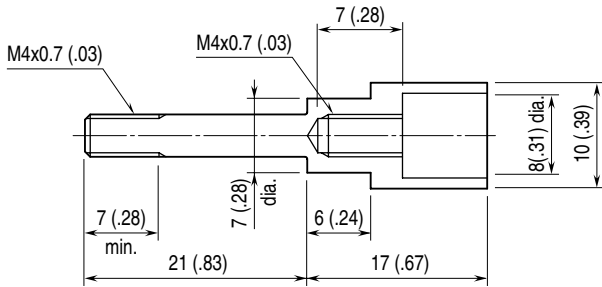
■ MOUNTING THE 26-UNIT + 6DV (model: A-6-26)



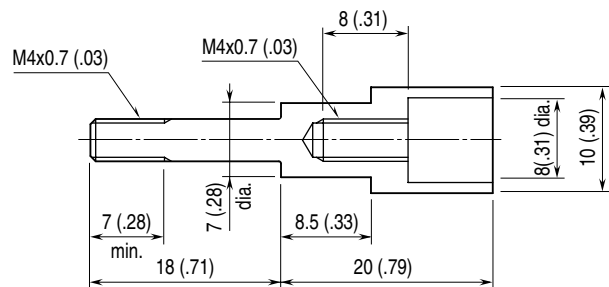
■ MOUNTING THE 27-UNIT + 6DV (model: A-6-27)



• SPACER



• SPACER



**MOUNTING REQUIREMENTS** unit: mm (inch)

