

LCD DISPLAY
(for B6U use)

MODEL **B6U-LCD**

BEFORE USE

Thank you for choosing us. Before use, please check contents of the package you received as outlined below. If you have any problems or questions with the product, please contact our sales office or representatives.

■ PACKAGE INCLUDES:

LCD Display(1)

■ MODEL NO.

Confirm Model No. marking on the product to be exactly what you ordered.

■ INSTRUCTION MANUAL

This manual describes necessary points of caution when you use this product, including installation and basic maintenance procedures.

Please refer to the instruction manual of B6U/B6U-B (EM-7451-A) for detailed procedures of LCD display

POINTS OF CAUTION

■ CONFORMITY WITH EU DIRECTIVES

- The actual installation environments such as panel configurations, connected devices, connected wires, may affect the protection level of this unit when it is integrated in a panel system. The user may have to review the CE requirements in regard to the whole system and employ additional protective measures to ensure the CE conformity.

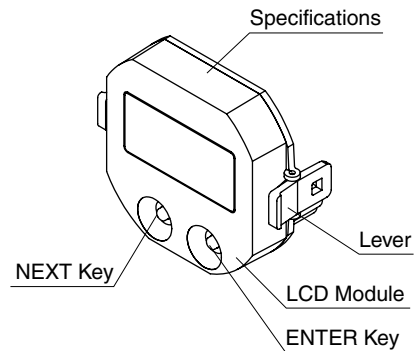
■ GENERAL PRECAUTIONS

- Before you remove the module or mount it, turn off the power supply and input signal for safety. Do not touch connector terminal of the module.

■ AND

- The unit is designed to function as soon as power is supplied, however, a warm up for 10 minutes is required for satisfying complete performance described in the data sheet.

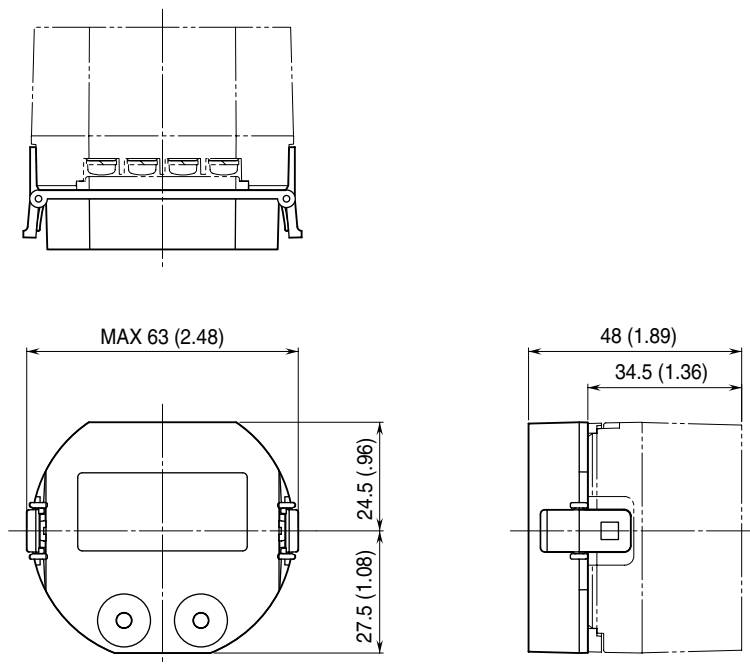
COMPONENT IDENTIFICATION



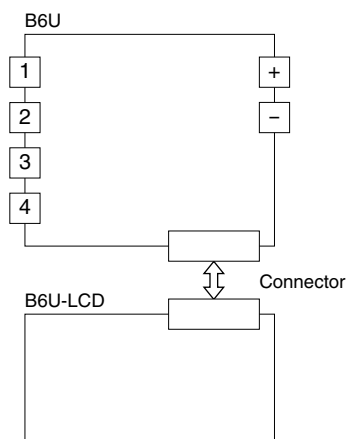
TERMINAL CONNECTIONS

The figures show the combination of B6U and B6U-LCD.

EXTERNAL DIMENSIONS unit: mm (inch)



CONNECTION DIAGRAM



INSTALLATION

LCD MODULE

- For attaching the LCD module, hold the levers at the side and push into the connectors on top of the transmitter module.
- When removing the module, hold the levers in the same manner and pull.

LIGHTNING SURGE PROTECTION

We offer a series of lightning surge protector for protection against induced lightning surges. Please contact us to choose appropriate models.