

CONNECTOR TERMINAL BLOCK	MODEL CNT
---------------------------------	------------------

BEFORE USE

Thank you for choosing us. Before use, please check contents of the package you received as outlined below. If you have any problems or questions with the product, please contact our sales office or representatives.

■ PACKAGE INCLUDES:

Connector Terminal Block(1)

■ MODEL NO.

Confirm that the model number described on the product is exactly what you ordered.

■ INSTRUCTION MANUAL

This manual describes necessary points of caution when you use this product, including installation, connection and basic maintenance procedures.

POINTS OF CAUTION

■ GENERAL PRECAUTIONS

- Before you remove the unit or mount it, turn off the output signal for safety.

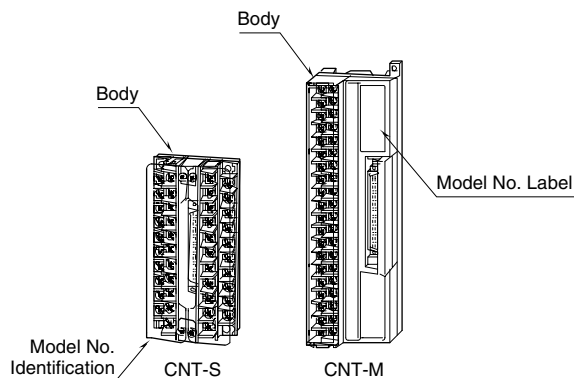
■ ENVIRONMENT

- Indoor use
- When heavy dust or metal particles are present in the air, install the unit inside proper housing with sufficient ventilation.
- Do not install the unit where it is subjected to continuous vibration. Do not subject the unit to physical impact.
- Environmental temperature must be within -5 to +55°C (23 to 131°F) with relative humidity within 30 to 90% RH in order to ensure adequate life span and operation.

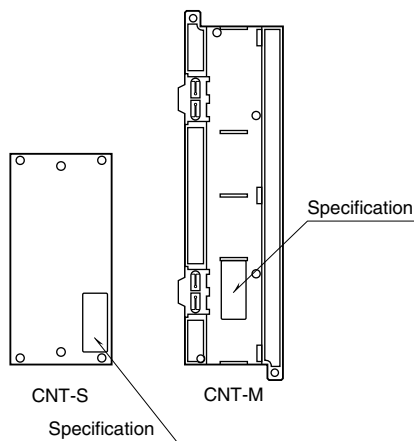
■ WIRING

- Do not install cables close to noise sources (relay drive cable, high frequency line, etc.).
- Do not bind these cables together with those in which noises are present. Do not install them in the same duct.

COMPONENT IDENTIFICATION



■ REAR VIEW

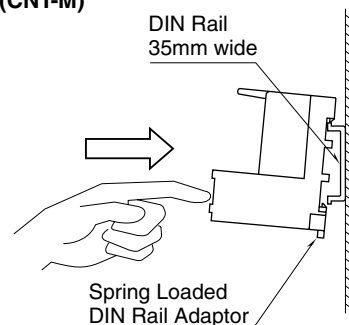


INSTALLATION

Refer to the External Dimensions. The CNT-M can be mounted on a DIN rail.

■ DIN RAIL MOUNTING (CNT-M)

Position the black hook at the rear side on the DIN rail and push in the yellow hook (DIP rail adaptor). When removing, push down the DIN rail adaptor utilizing a screwdriver (-) and pull.

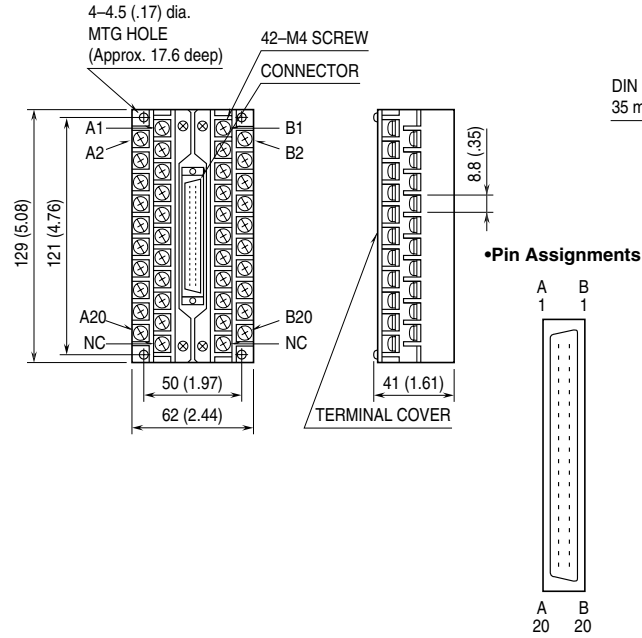


TERMINAL CONNECTIONS

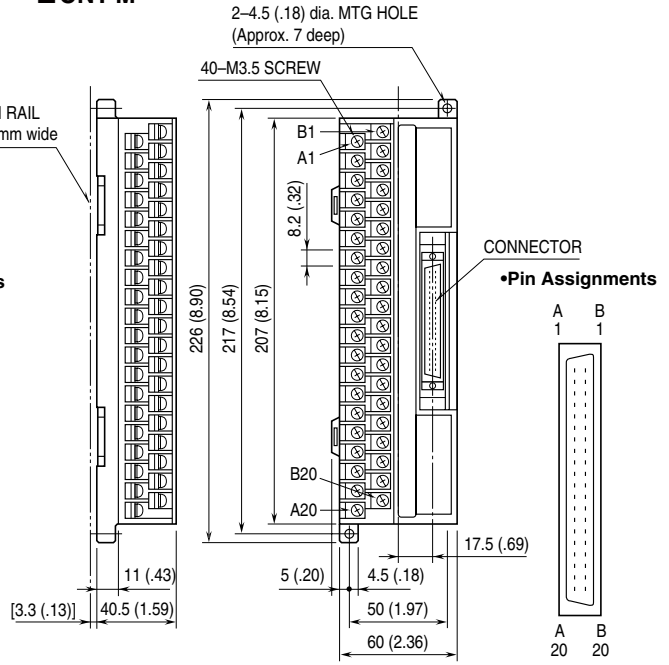
Each connector pin is assigned to the screw terminal of the same terminal No. Refer to the External Dimensions.

EXTERNAL DIMENSIONS mm (inch)

■ CNT-S



■ CNT-M



WIRING INSTRUCTIONS

■ SCREW TERMINAL

Torque: 0.8 to 1.2 N·m

■ APPLICABLE WIRE SIZE

Max. applicable wire size: 2mm²