

RS CABLE (FCN flat type)	MODEL DCN2
-------------------------------------	-------------------

BEFORE USE

Thank you for choosing us. Before use, please check contents of the package you received as outlined below. If you have any problems or questions with the product, please contact our sales office or representatives.

■ PACKAGE INCLUDES:

- RS cable(1)
- Screws (M 2.6)(4)

■ MODEL NO.

Confirm Model No. marking on the product to be exactly what you ordered.

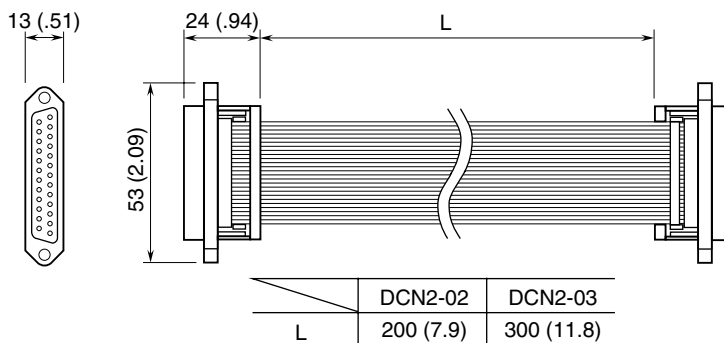
■ INSTRUCTION MANUAL

This manual describes necessary points of caution when you use this product and regarding the external dimensions.

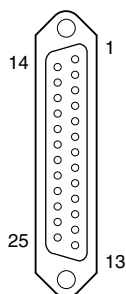
POINTS OF CAUTION

When you connect or disconnect the cable, be sure to hold the connector body in order to protect the wires from break-down.
DO NOT hold the cable in pulling it.

EXTERNAL DIMENSIONS & CONNECTOR PIN ASSIGNMENTS unit: mm (inch)



■ CONNECTOR PIN ASSIGNMENT



■ WIRING DIAGRAM

