

DC POWER SUPPLY	MODEL HDC4
------------------------	-------------------

BEFORE USE

Thank you for choosing us. Before use, please check contents of the package you received as outlined below. If you have any problems or questions with the product, please contact our sales office or representatives.

■ PACKAGE INCLUDES:

DC power supply (1)

■ MODEL NO.

Confirm Model No. marking on the product to be exactly what you ordered.

■ INSTRUCTION MANUAL

This manual describes necessary points of caution when you use this product, including installation, connection and basic maintenance procedures.

POINTS OF CAUTION

■ POWER INPUT RATING & OPERATIONAL RANGE

- Locate the power input rating marked on the product and confirm its operational range as indicated below:
 85 – 132V AC rating: 85 – 132V, 47 – 440Hz
 170 – 264V AC rating: 170 – 264V, 47 – 440Hz

■ UNPLUGGING THE UNIT

- Before you remove the unit from its base socket or mount it, turn off the power supply and input signal for safety.

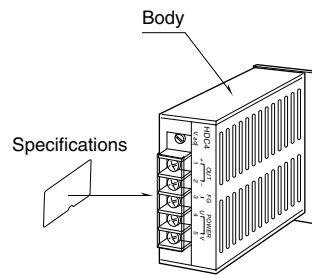
■ ENVIRONMENT

- Indoor use.
- When heavy dust or metal particles are present in the air, install the unit inside proper housing with sufficient ventilation.
- Do not install the unit where it is subjected to continuous vibration. Do not subject the unit to physical impact.
- Environmental temperature must be within 0 to 50°C (32 to 122°F) with relative humidity within 30 to 85% RH in order to ensure adequate life span and operation.

■ WIRING

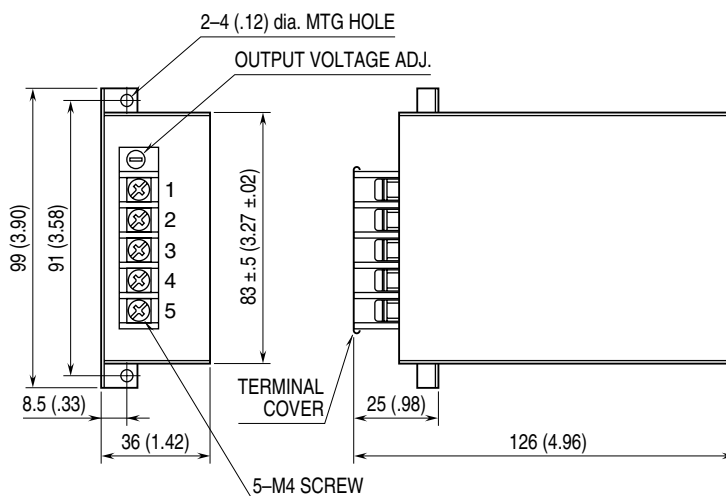
- Do not install cables close to noise sources (relay drive cable, high frequency line, etc.).
- Do not bind these cables together with those in which noises are present. Do not install them in the same duct.

COMPONENT IDENTIFICATION

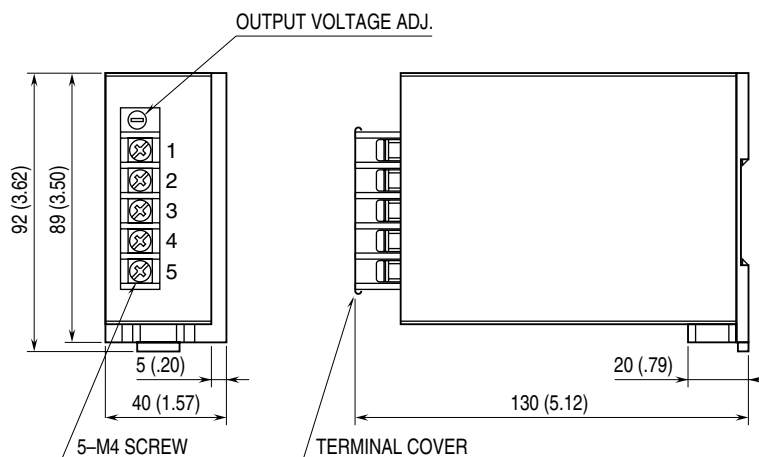


EXTERNAL DIMENSIONS unit: mm (inch)

■ RACK MOUNTING

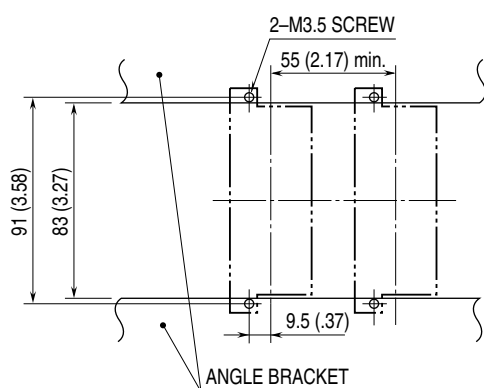


■ DIN RAIL MOUNTING

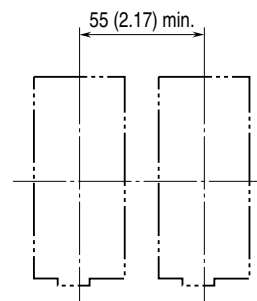


MOUNTING REQUIREMENTS unit: mm (inch)

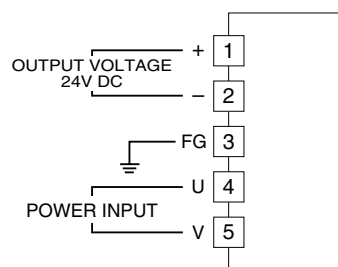
■ RACK MOUNTING



■ DIN RAIL MOUNTING



CONNECTION DIAGRAM



CHECKING

- 1) Terminal wiring
Check that all cables are correctly connected according to the connection diagram.
- 2) Power input voltage
Check voltage across the terminal 4(U) – 5(V) with a multimeter.
- 3) Output
Check that the output is within 0 – 100% of the full-scale.
- 4) Output load
Normal load current is 2.0A. Check that the load is less than that.

LIGHTNING SURGE PROTECTION

We offer a series of lightning surge protectors for protection against induced lightning surges. Please contact us to choose appropriate models.