

MANUAL OPERATION SPANNER (for SERVO-TOP II MODELS PSN1/PSN3/PSN1G)	MODEL HPSN2
--	--------------------

BEFORE USE

Thank you for choosing us. Before use, please check contents of the package you received as outlined below. If you have any problems or questions with the product, please contact our sales office or representatives.

■ **PACKAGE INCLUDES:**

Manual operation spanner(1)

■ **MODEL NO.**

The HPSN2 is a spanner used to manually operate the Servo-Top II models PSN1, PSN3 and PSN1G. Check that the model No. described on the specification label is exactly what you ordered.

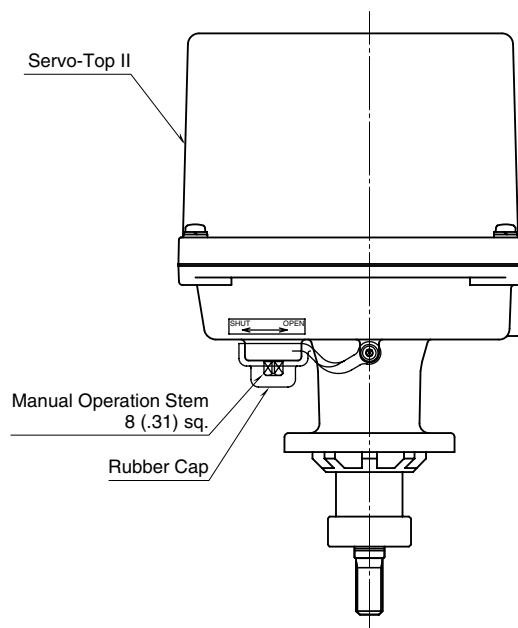


Figure 1. COMPONENT IDENTIFICATION

COMPONENT IDENTIFICATION

Before using the manual operation spanner, be sure that the power supply to the Servo-Top II is turned off. Likewise, check that the manual operation is not attached before turning on the power supply.

- 1) Remove the rubber cap covering the manual operation stem.
- 2) Insert the spanner into the bottom of the stem.
- 3) The output stem retracts when the spanner is turned clockwise (seen from the stem side). Turn the spanner in checking the position e.g. with an indicator.
Observe the maximum torque of 1 N·m (1.5 N·m for PSN3).
Excessive force may damage mechanical components of the Servo-Top II. If you sense an increase of torque while operating manually, stop immediately.
- 4) Be sure to remove the spanner and cover the manual operation stem with the rubber cap after the operation is complete.
- 5) Before turning on the power supply to the Servo-Top II, check that the spanner is not attached.

Table 1. REQUIRED TURNS

SERVO-TOP II TYPE	REQUIRED TURNS PER 10-mm STROKE
PSN1	approx. 24 turns
PSN3	approx. 25 turns
PSN1G	approx. 24 turns

EXTERNAL DIMENSIONS mm [inch]

