

INSTRUCTION MANUAL

DISCRETE INPUT TOWER LIGHT (small size, 60 mm dia., 1 - 5 layers)

MODEL **IT60SA1**

BEFORE USE

Thank you for choosing us. Before use, please check contents of the package you received as outlined below.

If you have any problems or questions with the product, please contact our sales office or representatives.

This product is for use in general industrial environments, therefore may not be suitable for applications which require higher level of safety (e.g. safety or accident prevention systems) or of reliability (e.g. vehicle control or combustion control systems).

For safety, installation and maintenance of this product must be conducted by qualified personnel.

■ PACKAGE INCLUDES:

Tower Light(1)

■ MODEL NO.

Confirm Model No. marking on the product to be exactly what you ordered.

■ INSTRUCTION MANUAL

This manual describes necessary points of caution when you use this product, including installation, connection and basic maintenance procedures.

POINTS OF CAUTION

■ CONFORMITY WITH EU DIRECTIVES

- This equipment is suitable for Pollution Degree 3 and Installation Category III (24V DC power model), or Pollution Degree 2 and Installation Category II (100 – 240V AC power model). Reinforced insulation (input to power: 300V) is maintained. Prior to installation, check that the insulation class of this unit satisfies the system requirements.
- Altitude up to 2000 meters.
- The equipment must be installed such that appropriate clearance and creepage distances are maintained to conform to CE requirements. Failure to observe these requirements may invalidate the CE conformance.
- The actual installation environments such as panel configurations, connected devices, connected wires, may affect the protection level of this unit when it is integrated in a panel system. The user may have to review the CE requirements in regard to the whole system and employ additional protective measures to ensure the CE conformity.
- The equipment is intended to be installed in a industrial environment defined by EN 60947-5-1.

■ POWER INPUT RATING & OPERATIONAL RANGE

- Locate the power input rating marked on the product and confirm its operational range as indicated below:
 100 – 240V AC rating: 85 – 264V, 47 – 66 Hz,
 approx. 8VA at 100V AC
 approx. 10VA at 200V AC
 approx. 11VA at 240V AC
 24V DC rating: 24V ±10%, approx. 4.1W 170mA

- Supplying any level of power other than specified above can damage the unit or the power source.
- Power up characteristics of a power supply for the unit must be such a way that the output voltage goes up within operational voltage range of the unit in 5 seconds.
- The power cables and the signal I/O cables for the unit must be located separately.
- The power cables, the signal I/O cables and the communication cables should not be bundled together or placed near each other.
- To increase noise resistance of the power input wires, twist the strands before connecting.

■ GENERAL PRECAUTIONS

- Before you remove the unit or mount it, turn off the power supply and input signal for safety.
- The unit must not be subjected to external force.
- Do not rub the unit with organic solvent like paint thinner.
- Do not block the unit's ventilation openings or use it in areas where heat accumulates. Additionally, do not store or use it under high-temperature conditions.
- Do not use the unit in an environment where flammable gases are present. This may result in an explosion.
- Do not disassemble or modify the unit in any way. Doing so may result in a fire or an electrical shock.
- Do not store or use the unit in locations subject to direct sunlight, or where excessive dust or dirt is present.
- The unit is a precision equipment. Do not store or use it where large shocks or excessive vibration can occur.
- Observe the environmental conditions when using the unit.
- Wait at least 30 seconds before turning on the power supply after it was turned off.

■ ENVIRONMENT

- Indoor use.
- Do not install the unit where it is subjected to continuous vibration. Do not subject the unit to physical impact.
- Environmental temperature must be within -10 to +55°C (14 to 131°F) with relative humidity within 30 to 90% RH in order to ensure adequate life span and operation.
- Mount the unit on a flat and robust plate.
- Lamps are omnidirectional.
- The buzzer sound is directional in front of the unit.

■ INGRESS PROTECTION (IP65)

- The IP code is conformable when the unit is mounted vertically, and the control panel cover is locked. The compartment, where connectors are located, is not protected.
- When opening the control panel cover, avoid humidity and dust penetration. Dry and clean it if condensation is formed, and close the cover locking tightly.
- In order to protect ingress of water or dust into the bottom compartment, mount the unit on the flat plane, and be sure that the gasket does not roll back or dust is not on the gasket.

■ WIRING

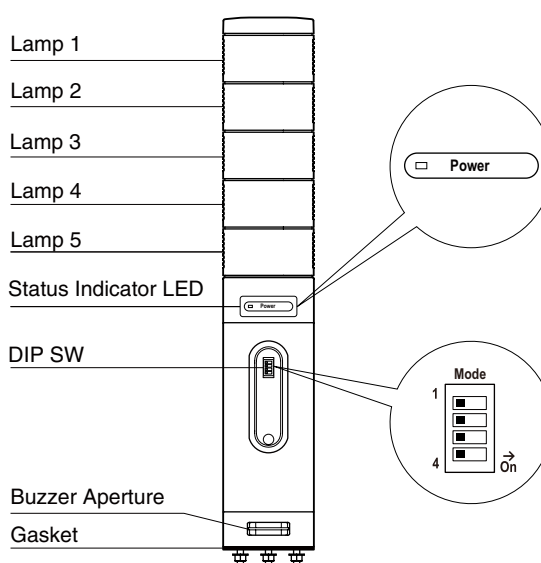
- Do not install cables close to noise sources (relay drive cable, high frequency line, etc.).
- Do not bind these cables together with those in which noises are present. Do not install them in the same duct.

■ AND

- The unit is designed to function as soon as power is supplied, however, a warm up for 10 minutes is required for satisfying complete performance described in the data sheet.

COMPONENT IDENTIFICATION

■ FRONT VIEW (with the cover open)



■ STATUS INDICATOR LED

ID	COLOR	FUNCTION
Power	Green	Turns on when the power is supplied normally.

■ OPERATING MODE

(*) Factory setting

• Lamp blinking frequency

Mode-1	LAMP BLINKING FREQUENCY
OFF	Approx. 2 Hz (*)
ON	Approx. 10 Hz

• Buzzer intermittent frequency

Mode-2	BUZZER INTERMITTENT FREQUENCY
OFF	Approx. 10 Hz (*)
ON	Continuance

• Buzzer volume

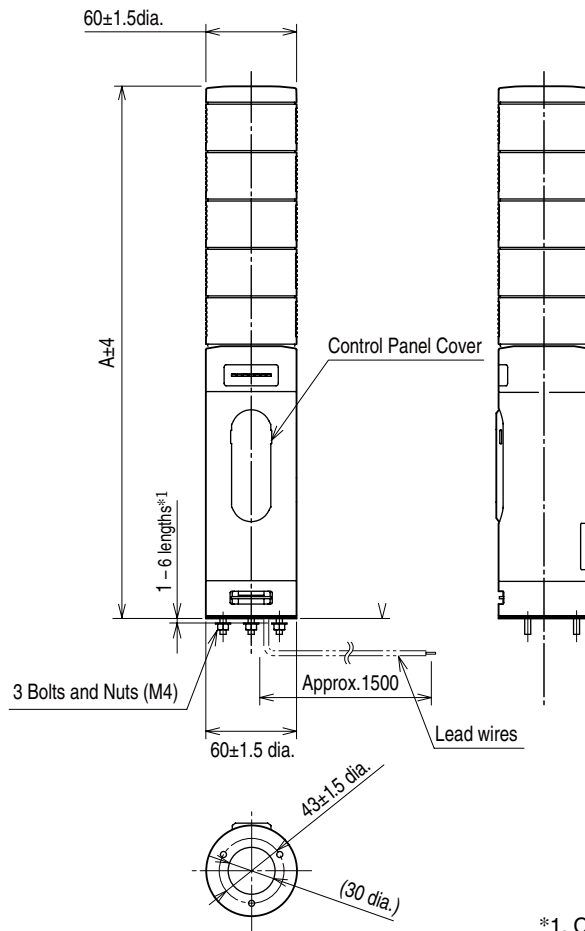
Mode-3	Mode-4	BUZZER VOLUME
OFF	OFF	Quiet (*)
OFF	ON	Middle
ON	OFF	Loud
ON	ON	Maximum

Note: Blinking of lamps and intermittent of buzzer are not synchronized.

TERMINAL CONNECTIONS

Connect the unit as in the diagram below.

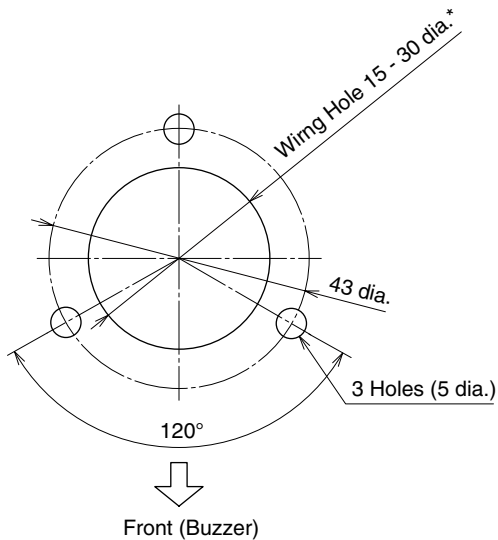
EXTERNAL DIMENSIONS unit: mm



Lamp Layers	A
1	224
2	256
3	288
4	320
5	352

*1. Consult us for other bolt length.

MOUNTING REQUIREMENTS unit: mm



*Protect wires to prevent scratching them at the edge of the compartment.

■ CONNECTION DIAGRAM

■ DC POWER

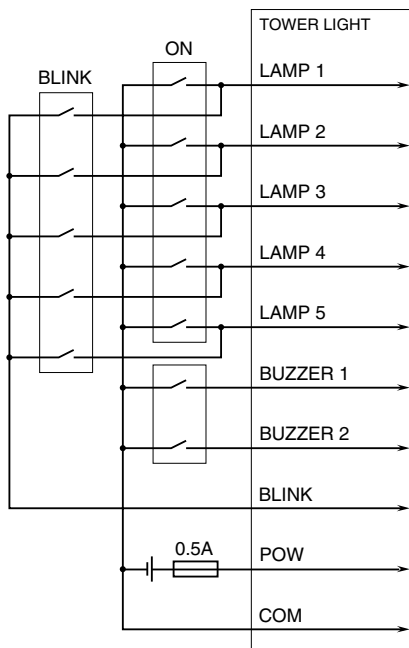
INPUT	LAMP 1 INPUT	Red*2	LAMP 1*1
	LAMP 2 INPUT	Amber*2	LAMP 2*1
	LAMP 3 INPUT	Green*2	LAMP 3*1
	LAMP 4 INPUT	Blue*2	LAMP 4*1
	LAMP 5 INPUT	White*2	LAMP 5*1
	BUZZER INPUT 1 2Hz	Purple	BUZZER 1
	BUZZER INPUT 2 10Hz or contin.	Cyan	BUZZER 2
	LAMP BLINK INPUT	Brown	BLINK
	POWER	Gray	POW
	LAMP , BUZZER COM	Orange	COM

*1. Example of 5 layers in order: red, amber, green, blue and white.
Lamp and wire color are the same.

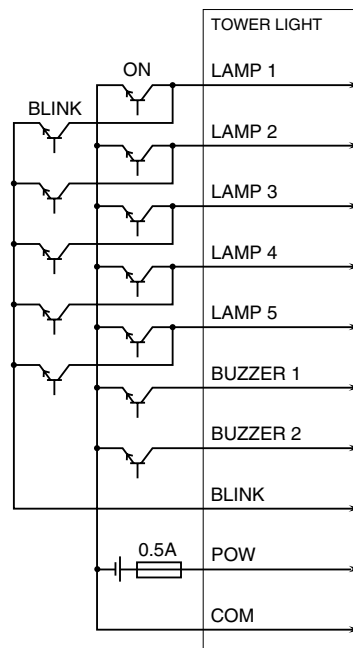
*2. When selecting the same color for more than one layer, cable colors
comply with ordering information sheet.

■ WIRING TO INPUT SIGNAL

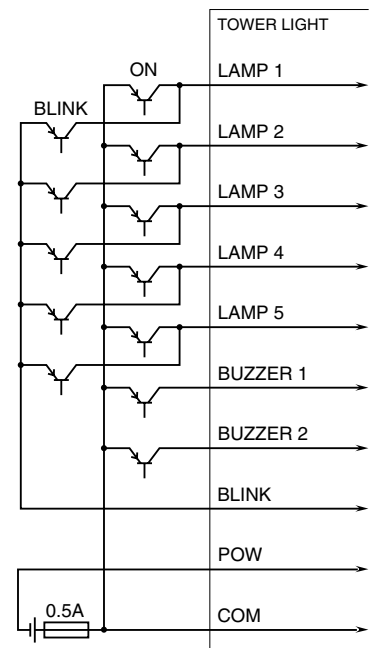
• Contact input e.g.



•NPN input e.g.



•PNP input e.g.



Note 1: Do not set lamp ON input to "On" and BLINK input to "Blink" at the same time whatsoever, it might result in shortcircuit.

■ AC POWER

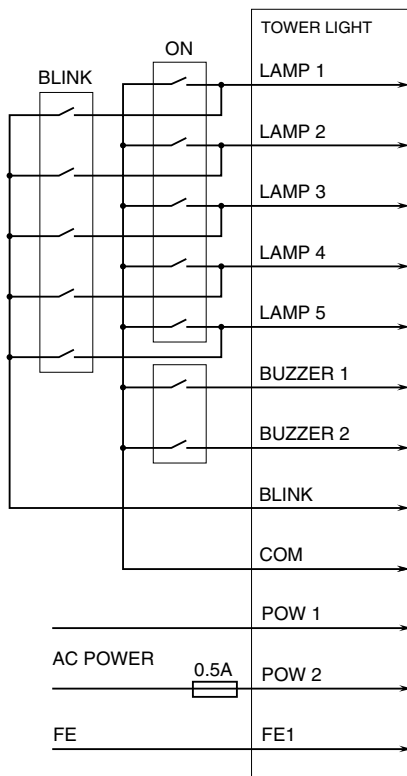
INPUT	LAMP 1 INPUT	Red*2	LAMP 1*1
	LAMP 2 INPUT	Amber*2	LAMP 2*1
	LAMP 3 INPUT	Green*2	LAMP 3*1
	LAMP 4 INPUT	Blue*2	LAMP 4*1
	LAMP 5 INPUT	White*2	LAMP 5*1
	BUZZER INPUT 1 2Hz	Purple	BUZZER 1
	BUZZER INPUT 2 10Hz or contin.	Cyan	BUZZER 2
	LAMP BLINK INPUT	Brown	BLINK
	LAMP, BUZZER COM	Orange	COM
	POWER	Gray	POW 1
Black		POW 2	
FE	Green/Yellow	FE1	

*1. Example of 5 layers in order: red, amber, green, blue and white.
Lamp and wire color are the same.

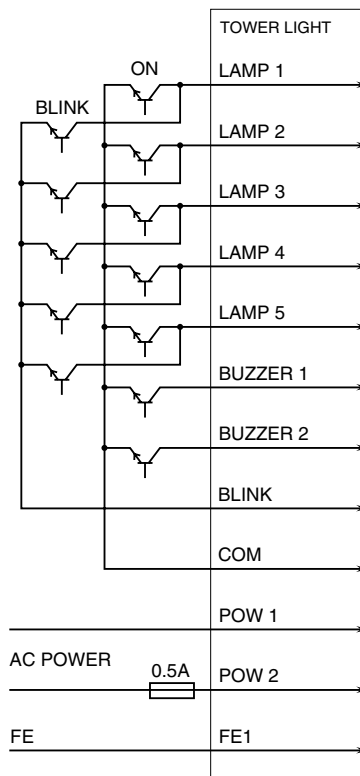
*2. When selecting the same color for more than one layer, cable colors comply with ordering information sheet.

■ WIRING TO INPUT SIGNAL

• Contact input e.g.



•NPN input e.g.



Note 1: Do not set lamp ON input to "On" and BLINK input to "Blink" at the same time whatsoever, it might result in shortcircuit.

Note 2: In order to improve EMC performance, bond the FE1 terminal to ground.

Caution: FE1 terminal is NOT a protective conductor terminal.