

**MOUNTING ADAPTER**

MODEL

**ITAM****BEFORE USE ....**

Thank you for choosing us. Before use, please check contents of the package you received as outlined below.

If you have any problems or questions with the product, please contact our sales office or representatives.

**■ PACKAGE INCLUDES:**

Mounting adapter .....(1)

**■ MODEL NO.**

Confirm Model No. marking on the product to be exactly what you ordered.

**■ INSTRUCTION MANUAL**

This manual describes necessary points of caution when you use this product and installation procedures.

**POINTS OF CAUTION****■ REMOVING THE UNIT**

- Before you remove the unit or mount it, turn off the power supply and signals for safety.
- The unit must not be subjected to external force.
- Do not rub the unit with organic solvent like paint thinner.

**■ ENVIRONMENT**

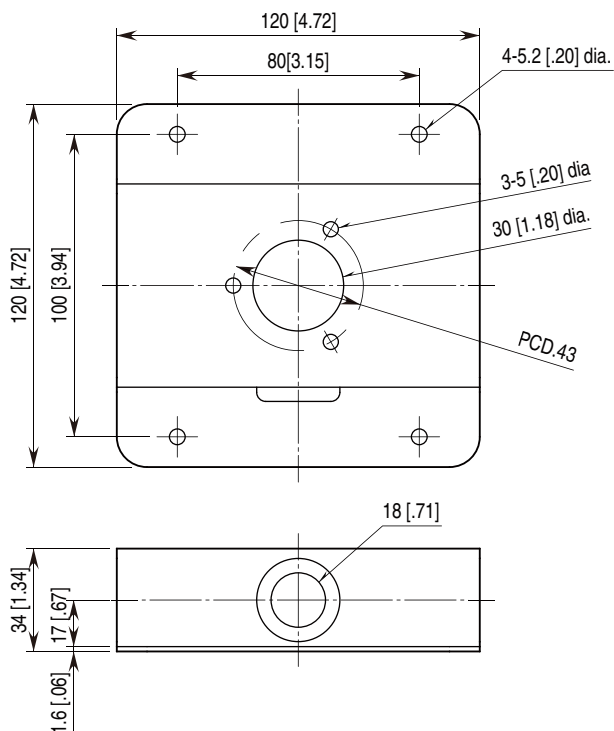
- Indoor use.
- Do not install the unit where it is subjected to continuous vibration. Do not subject the unit to physical impact.
- Environmental temperature must be within -10 to +55°C (14 to 131°F) with relative humidity within 30 to 90% RH in order to ensure adequate life span and operation.
- Mount the unit on a flat and robust plane.

**INSTALLATION**

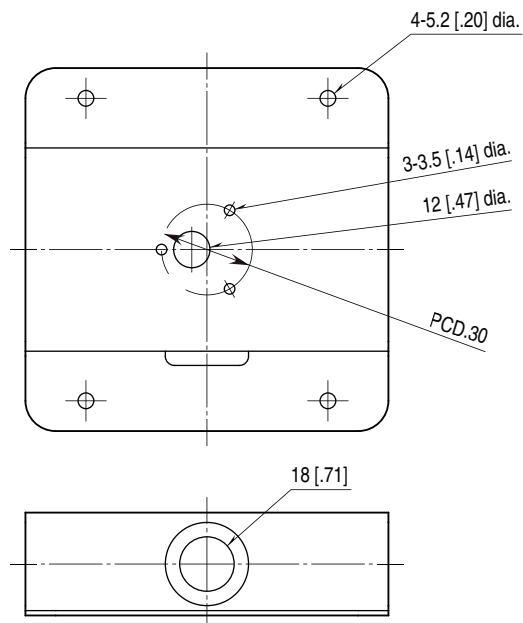
Refer to the following instructions, “EXTERNAL DIMENSIONS” and “MOUNTING REQUIREMENTS”.

**EXTERNAL DIMENSIONS unit: mm [inch]**

■ TYPE 1

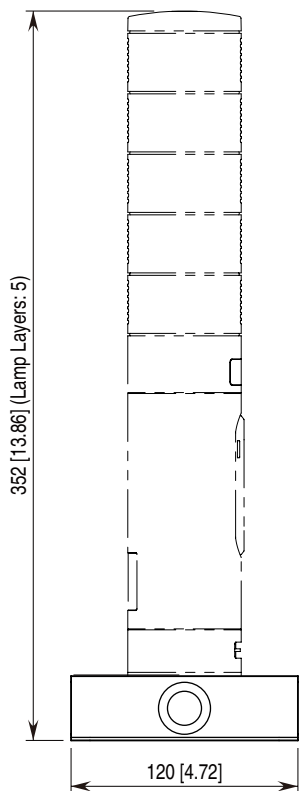


■ TYPE 2



**MOUNTING REQUIREMENTS unit: mm [inch]**

■ TYPE 1



■ TYPE 2

