

BEFORE USE

Thank you for choosing us. Before use, check the contents of the package you received as outlined below.

If you have any problems or questions with the product, please contact our sales office or representatives.

■ PACKAGE INCLUDES:

- **ITB**
 Pedestal (1)
 Hexagon socket set screw (2)
- **ITP**
 Pole..... (1)
 Washer (2)
 Nut (2)
- **ITW**
 Bracket (1)
- **ITS**
 Mounting stand (1)
 Hexagon socket set screw (2)
 M5 screw (4)
 Washer (4)
 Spring washer (4)
 Nut (4)

■ MODEL NO.

Confirm that the model number described on the product is exactly what you ordered.

■ INSTRUCTION MANUAL

This manual describes necessary points of caution when you use this product and installation procedures.

POINTS OF CAUTION

■ REMOVING THE UNIT

- Before you remove the unit or mount it, turn off the power supply and signals for safety.
- The unit must not be subjected to external force.
- Do not rub the unit with organic solvent like paint thinner.

■ ENVIRONMENT

- Indoor use
- Do not install the unit where it is subjected to continuous vibration. Do not subject the unit to physical impact.
- Environmental temperature must be within -10 to +55°C (14 to 131°F) with relative humidity within 30 to 90% RH in order to ensure adequate life span and operation.
- Mount the unit on a flat and robust plane.
- Lamps are omnidirectional.
- The buzzer sound is directional in front of the unit.

■ INGRESS PROTECTION (configured with our mounting parts) ITS (CIRCULAR PEDESTAL MOUNT)

- Degree of protection: IP65
- The IP code is conformable when the unit is mounted vertically. The compartment, where connectors are located, is not protected.
- In order to prevent ingress of water or dust from the bottom, mount the unit such that the gasket at the bottom of the pole fits closely to the flat plane, after making sure the gasket does not turn up and there is no adhesion of dust. The unit may not satisfy the degree of protection due to improper mounting.

ITW (BRACKET MOUNT)

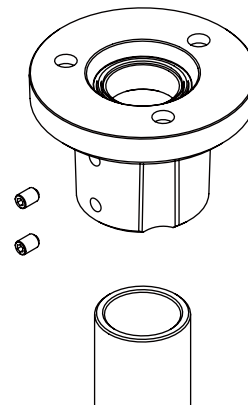
- Degree of protection: IP13
- The IP code is conformable when the unit is mounted vertically.

INSTALLATION

- Refer to the following instructions, "EXTERNAL DIMENSIONS" and "MOUNTING REQUIREMENTS".
- Basic mounting method is as follows (configured with our mounting parts)

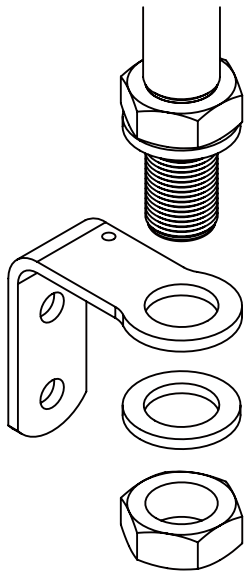
■ MOUNTING THE ITB TO THE ITP

- Insert the ITP-x into ITB-x, make the rubber packing adhere tightly, and fix them with hexagon socket set screw.

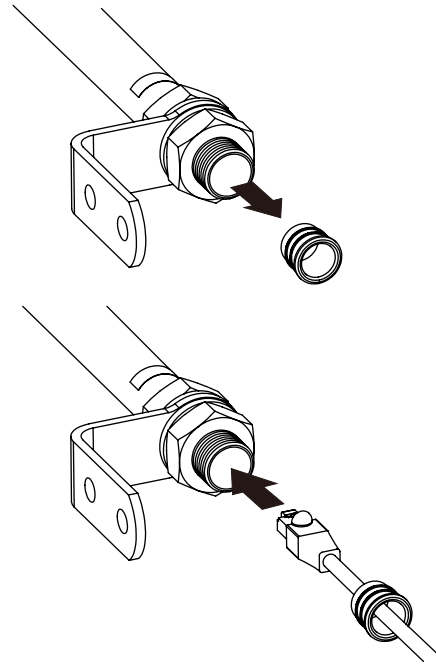


■ MOUNTING THE ITW TO THE ITP

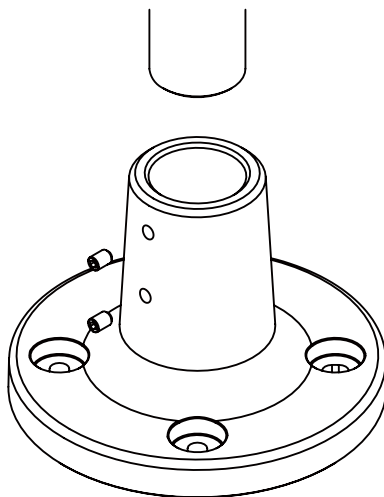
Mount the nut and washer attached to the ITP-x, and the ITW-x by following the figure below.



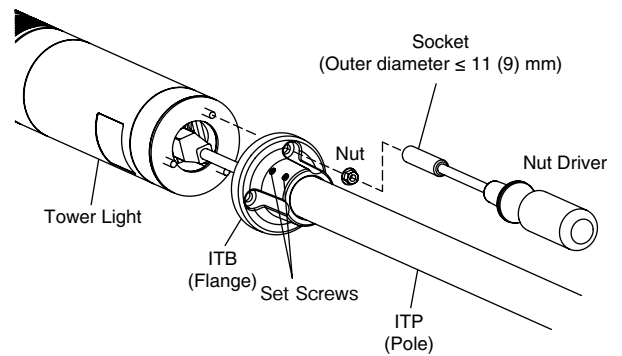
- Remove a rubber bush to insert a cable of large diameter, such as extended LAN cable (model: ITCA).



■ MOUNTING THE ITS TO THE ITB



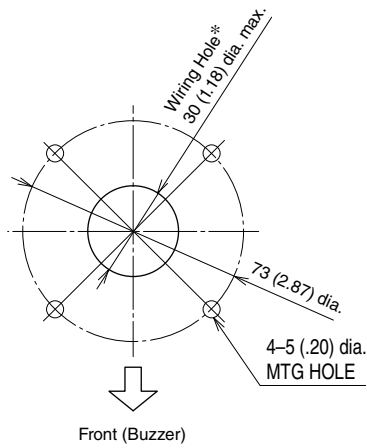
- Remove nuts from bolts of tower light and insert the bolts into holes of the ITB, and then fasten the tower light and the ITB together with the removed nuts.
- Use a nut driver which has 11 mm (9 mm for the ITB-2) or less outer diameter of the socket.



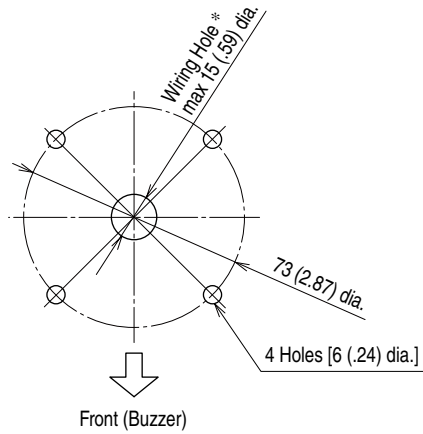
MOUNTING REQUIREMENTS unit: mm (inch)

■ ITS

■ TYPE 1



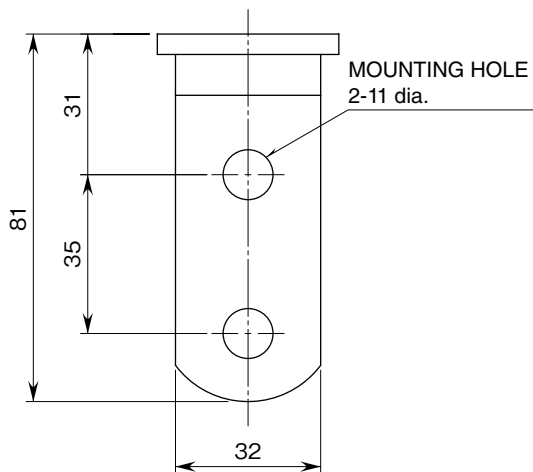
■ TYPE 2



* Protect wires to prevent scratching them on edges.
Determine the hole diameter according to the size of the wires.

■ ITW

■ TYPE 1



■ TYPE 2

