

<p>JUNCTION SLAVE (EtherCAT)</p>	<p>MODEL JC-ECT</p>
---	----------------------------

BEFORE USE

Thank you for choosing us. Before use, please check contents of the package you received as outlined below.

If you have any problems or questions with the product, please contact our sales office or representatives.

■ PACKAGE INCLUDES:

- Junction slave.....(1)
- Mounter slider.....(1)

■ MODEL NO.

Confirm Model No. marking on the product to be exactly what you ordered.

■ INSTRUCTION MANUAL

This manual describes necessary points of caution when you use this product, including installation, connection and basic maintenance procedures.

POINTS OF CAUTION

■ POWER INPUT RATING & OPERATIONAL RANGE

- Locate the power input rating marked on the product and confirm its operational range as indicated below:
24V DC rating: 24V ±10%
Power consumption:
JC-ECT-4: approx. 2.0W, JC-ECT-8: approx. 4.3W

■ GENERAL PRECAUTIONS

- Before you remove the unit or mount it, turn off the power supply and input signal for safety.

■ ENVIRONMENT

- Indoor use
- When heavy dust or metal particles are present in the air, install the unit inside proper housing with sufficient ventilation.
- Do not install the unit where it is subjected to continuous vibration. Do not subject the unit to physical impact.
- Environmental temperature must be within -10 to +55°C (14 to 131°F) with relative humidity within 10 to 90% RH in order to ensure adequate life span and operation.

■ WIRING

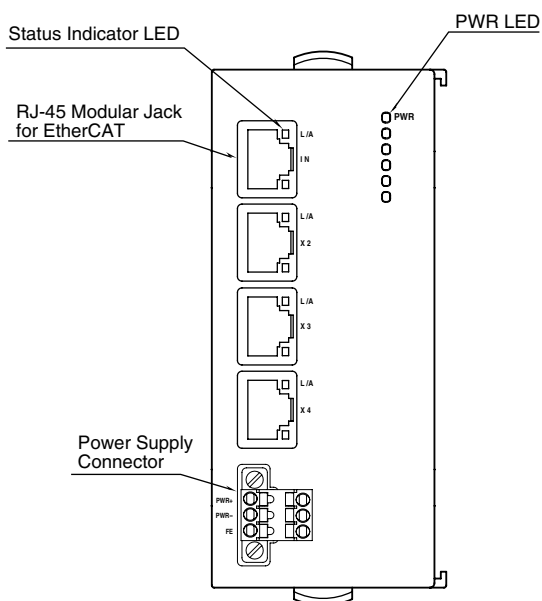
- Do not install cables close to noise sources (relay drive cable, high frequency line, etc.).
- Do not bind these cables together with those in which noises are present. Do not install them in the same duct.

■ AND

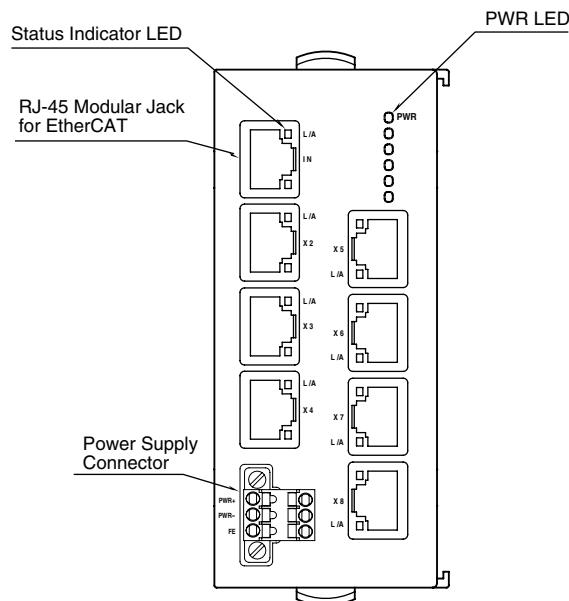
- The unit is designed to function as soon as power is supplied, however, a warm up for 10 minutes is required for satisfying complete performance described in the data sheet.

COMPONENT IDENTIFICATION

MODULE TYPE: 4 (4 ports)



MODULE TYPE: 8 (8 ports)



STATUS INDICATOR LED

ID	FUNCTION	COLOR	STATUS	
			LED STATE	DESCRIPTION
PWR	Main unit internal power	Green	OFF	Error
			ON	Normal
L/A	Port link / activity status	Green	OFF	No Link
			Flickering	Link and activity
			ON	Link without activity

Flickering	50ms-On, 50ms-Off
------------	-------------------

WIRING INSTRUCTIONS

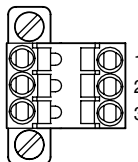
POWER SUPPLY

Cable connector: TFMC1,5 / 5-STF-3,5
(Phoenix Contact) (included in the package)

Applicable wire size: 0.2 – 1.5 mm²; stripped length 10 mm

Recommended solderless terminal

- AI0,25–10YE 0.25 mm² (Phoenix Contact)
- AI0,34–10TQ 0.34 mm² (Phoenix Contact)
- AI0,5–10WH 0.5 mm² (Phoenix Contact)
- AI0,75–10GY 0.75 mm² (Phoenix Contact)
- A1–10 1.0 mm² (Phoenix Contact)
- A1,5–10 1.5 mm² (Phoenix Contact)



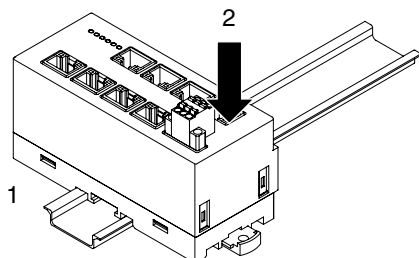
- 1. PWR + Power Supply
- 2. PWR – Power Supply
- 3. FE Functional earth

MOUNTING INSTRUCTIONS

■ DIN RAIL MOUNTING

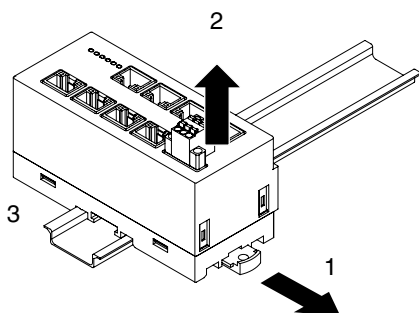
• Mounting

- 1) Hook the upper hook at the rear side of the base onto the DIN rail.
- 2) Push the lower part of the unit in the direction of the arrow until the base is firmly fixed to the DIN rail.



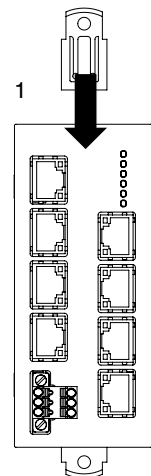
• Dismounting

- 1) Push down the slider using the tip of a minus screwdriver.
- 2) Pull out the lower part of the unit.
- 3) Remove the upper part of the unit from the DIN rail.

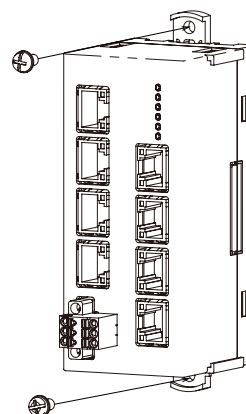


■ SURFACE MOUNTING

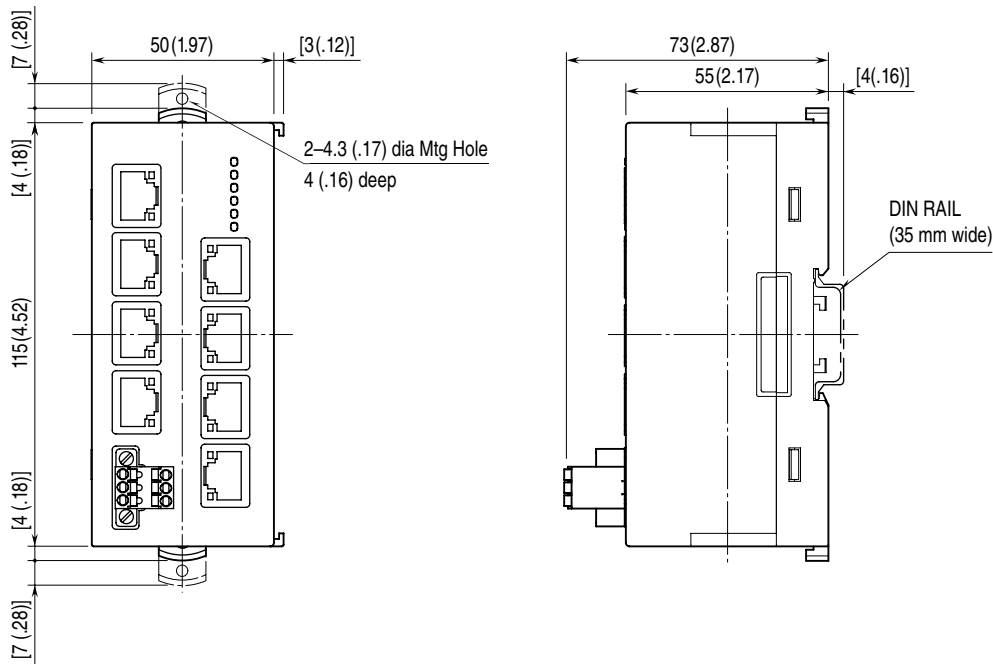
- 1) Insert the mounter slider along the rail at the back of the unit as shown below, and push in the rail until it clicks once.



- 2) Fix the unit with M4 screws referring to “MOUNTING REQUIREMENTS unit: mm (inch)” on page 5. (Torque: 1.4 N·m)

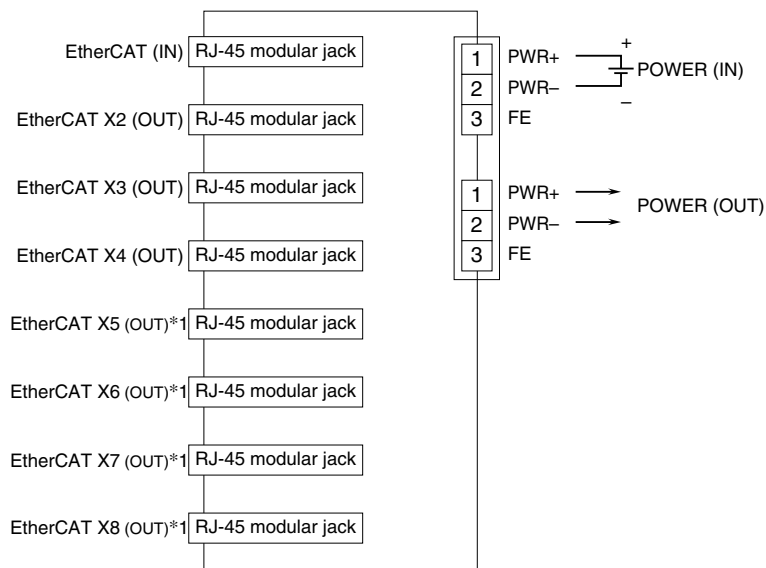


EXTERNAL DIMENSIONS unit: mm (inch)



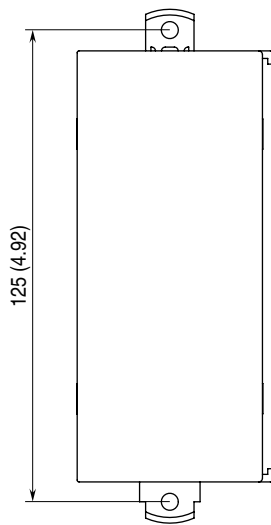
CONNECTION DIAGRAM

Connect the unit as in the diagram below.

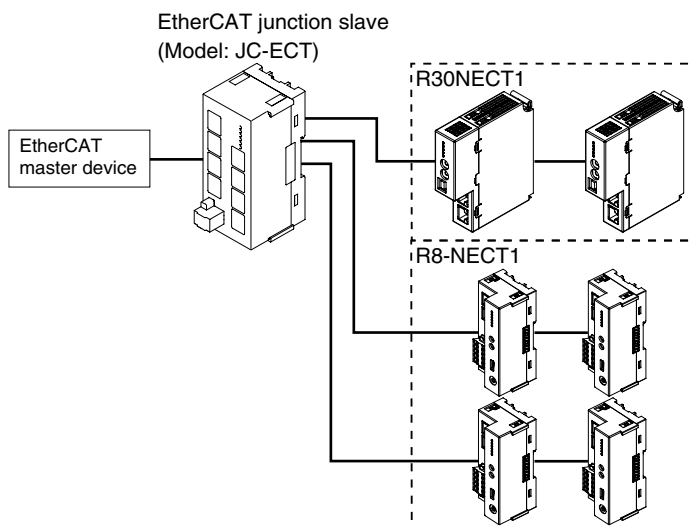


*1. Available with JC-ECT-8 only.

MOUNTING REQUIREMENTS unit: mm (inch)



SYSTEM CONFIGURATION EXAMPLE



Note) Be sure to connect the EtherCAT master device to the EtherCAT (IN) port.