

DC ALARM (CE)	MODEL	KS
--------------------------	-------	-----------

BEFORE USE

Thank you for choosing us. Before use, please check contents of the package you received as outlined below. If you have any problems or questions with the product, please contact our sales office or representatives.

PACKAGE INCLUDES:

DC alarm (body + base socket + input resistor).....(1)
Input resistor is provided only with current input type.

MODEL NO.

Confirm Model No. marking on the product to be exactly what you ordered.

INSTRUCTION MANUAL

This manual describes necessary points of caution when you use this product, including installation, connection and basic maintenance procedures.

POINTS OF CAUTION

CONFORMITY WITH EU DIRECTIVES

- This equipment is suitable for Pollution Degree 2, Measurement Category II (output, transient voltage 2500V) and Installation Category II (transient voltage 2500V). Reinforced insulation (signal input or output to power input: 300V) and basic insulation (signal input to output: 300V) are maintained. Prior to installation, check that the insulation class of this unit satisfies the system requirements.
- Altitude up to 2000 meters.
- The equipment must be mounted inside a panel.
- The equipment must be installed such that appropriate clearance and creepage distances are maintained to conform to CE requirements. Failure to observe these requirements may invalidate the CE conformance.
- The actual installation environments such as panel configurations, connected devices, connected wires, may affect the protection level of this unit when it is integrated in a panel system. The user may have to review the CE requirements in regard to the whole system and employ additional protective measures to ensure the CE conformity.
- Install lightning surge protectors for those wires connected to remote locations.

POWER INPUT RATING & OPERATIONAL RANGE

- Locate the power input rating marked on the product and confirm its operational range as indicated below:
AC power: Rating $\pm 10\%$, 50/60 ± 2 Hz, approx. 2VA
DC power: Rating $\pm 10\%$, approx. 2W

GENERAL PRECAUTIONS

- Before you remove the unit from its base socket or mount it, turn off the power supply and input signal for safety.

ENVIRONMENT

- Indoor use.
- When heavy dust or metal particles are present in the air, install the unit inside proper housing with sufficient ventilation.
- Do not install the unit where it is subjected to continuous vibration. Do not subject the unit to physical impact.
- Environmental temperature must be within -5 to $+55^{\circ}\text{C}$ (23 to 131°F) with relative humidity within 30 to 90% RH in order to ensure adequate life span and operation.

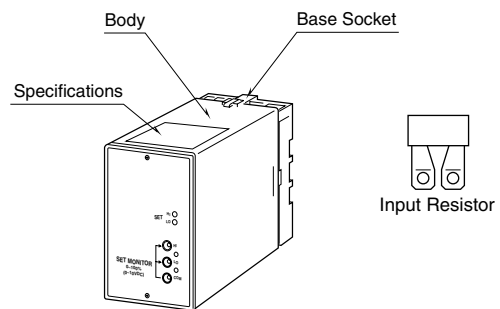
WIRING

- Do not install cables close to noise sources (relay drive cable, high frequency line, etc.).
- Do not bind these cables together with those in which noises are present. Do not install them in the same duct.

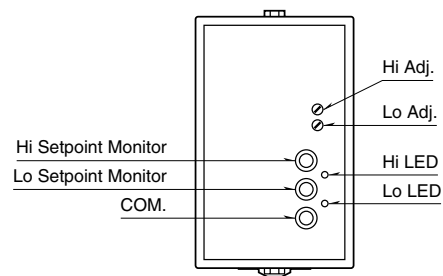
AND

- The unit is designed to function as soon as power is supplied, however, a warm up for 10 minutes is required for satisfying complete performance described in the data sheet.

COMPONENT IDENTIFICATION



FRONT PANEL CONFIGURATION



Explanations

Hi and Lo Adjustments are used to set the alarm setpoints. A 0 – 10V DC is output at the Hi and Lo setpoint monitor jacks across the COM jack, proportional to the setpoint 0 – 100%. The Hi and Lo LEDs turn on when the coil for each relay is energized.

Examples

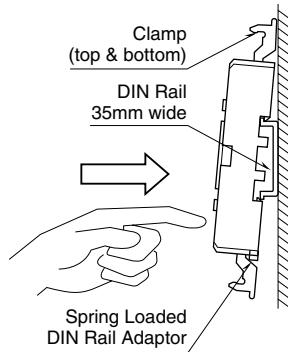
For setting the relay to trip above 80% of the full-scale input signal, turn the Hi Adj. until you read 8.0V at the Hi Setpoint Monitor.

INSTALLATION

Detach the yellow clamps located at the top and bottom of the unit for separate the body from the base socket.

■ DIN RAIL MOUNTING

Set the base socket so that its DIN rail adaptor is at the bottom. Hang the upper hook at the rear side of base socket on the DIN rail and push in the lower. When removing the socket, push down the DIN rail adaptor utilizing a minus screwdriver and pull.



■ WALL MOUNTING

Refer to "EXTERNAL DIMENSIONS."

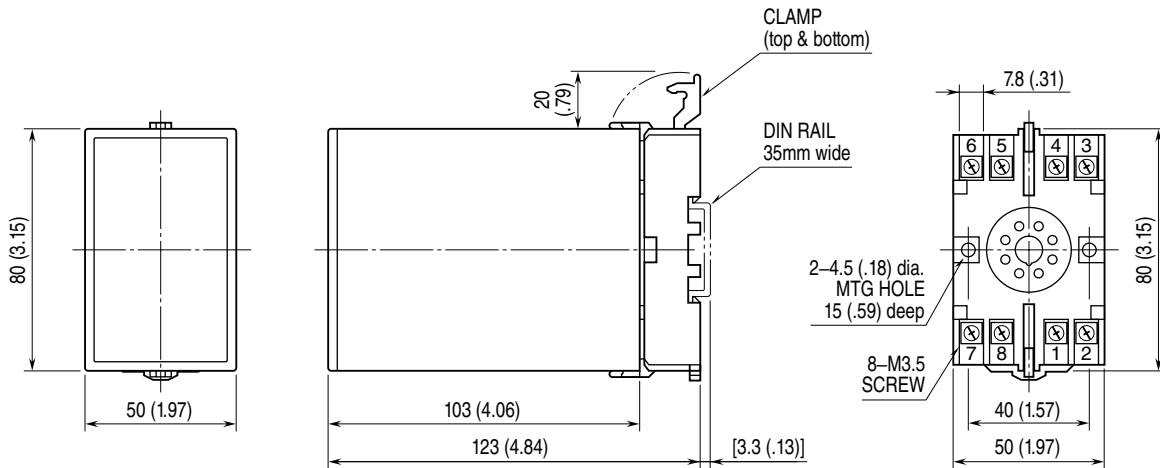
Shape and size of the base socket are slightly different with various socket types.

TERMINAL CONNECTIONS

Connect the unit as in the diagram below or refer to the connection diagram on the front of the unit.

When an input resistor is provided with the module, attach it together with input wiring to the input screw terminals.

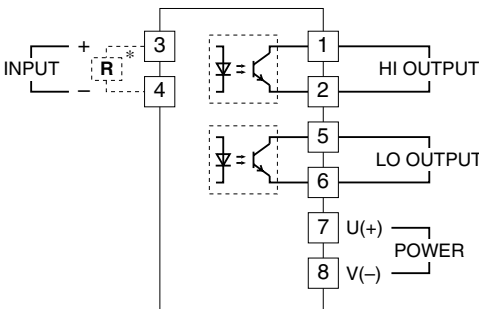
■ EXTERNAL DIMENSIONS unit: mm (inch)



• When mounting, no extra space is needed between units.

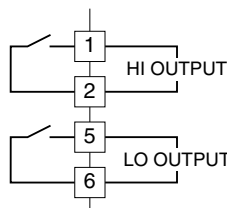
■ CONNECTION DIAGRAM

■ Open Collector

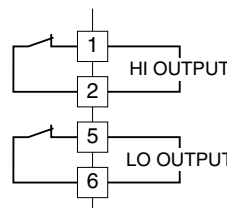


*Input shunt resistor attached for current input.

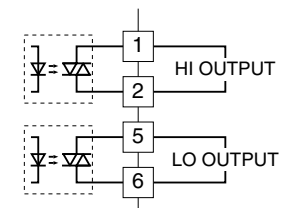
■ N.O. (make) Relay



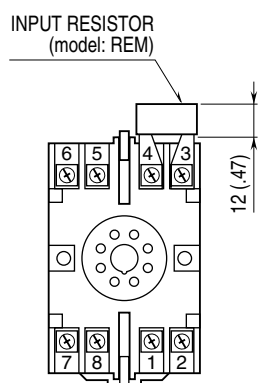
■ N.C. (break) Relay



■ SSR



■ TERMINAL ASSIGNMENTS unit: mm (inch)



Input shunt resistor attached for current input.

CHECKING

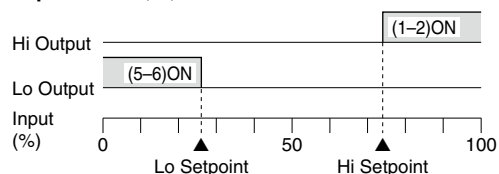
- 1) Terminal wiring: Check that all cables are correctly connected according to the connection diagram.
- 2) Power input voltage: Check voltage across the terminal 7 – 8 with a multimeter.
- 3) Input: Check that the input signal is within 0 – 100% of the full-scale.
- 4) Alarm operations: Check the alarm operations referring to the figure below.
- 5) Output load: Check the output load corresponds to the table below.

OUTPUT	LOAD RESISTANCE
Open collector	50V DC @100mA
Relay	380V AC @120VA 125V DC @30W
SSR	60 – 280V AC @0.1 – 1A

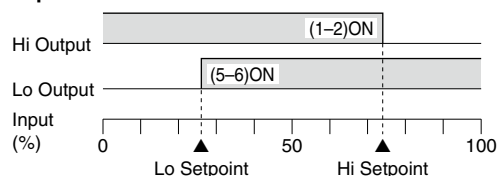
For maximum relay life with inductive load, external protection is recommended.

Alarm Trip Operation Terminal No. in parentheses

• Output Code 1, 2, 4



• Output Code 3



Trip Operation in Power Failure

- Output Code 1, 2, 4: both relays turn OFF
- Output Code 3: both relays turn ON

SETPOINT ADJUSTMENT

Adjustment procedure for the Hi and Lo setpoints are as follows:

■ HOW TO ADJUST ALARM SETPOINTS

The monitor jacks output 0 – 10V DC in proportion to the 0 – 100% setpoints.

• Hi Setpoint

Measure the voltage at the Hi setpoint monitor jacks and turn the Hi Adj. until you read a desired value.

• Lo Setpoint

Measure the voltage at the Lo setpoint monitor jacks and turn the Hi Adj. until you read a desired value.

MAINTENANCE

Regular calibration procedure is explained below:

■ CALIBRATION

Warm up the unit for at least 10 minutes.

• Hi Setpoint

Increase the input signal from a value lower than the setpoint and check that the relay trips at the Hi setpoint (Measure the voltage at the Hi setpoint monitor jacks).

• Lo Setpoint

Decrease the input signal from a value higher than the setpoint and check that the relay trips at the Lo setpoint (Measure the voltage at the Lo setpoint monitor jacks).

When the trip points are shifted, recalibrate the unit according to the "SETPOINT ADJUSTMENT" explained earlier.

When the monitor jacks outputs are shifted, please contact our sales office or representatives.

LIGHTNING SURGE PROTECTION

We offer a series of lightning surge protector for protection against induced lightning surges. Please contact us to choose appropriate models.