

STRAIN GAUGE TRANSMITTER
(remote sensing)

MODEL **LC2/LCS2**

BEFORE USE

Thank you for choosing us. Before use, please check contents of the package you received as outlined below. If you have any problems or questions with the product, please contact our sales office or representatives.

■ PACKAGE INCLUDES:

Signal conditioner (body + base socket).....(1)

■ MODEL NO.

Confirm Model No. marking on the product to be exactly what you ordered.

■ INSTRUCTION MANUAL

This manual describes necessary points of caution when you use this product, including installation, connection and basic maintenance procedures.

POINTS OF CAUTION

■ POWER INPUT RATING & OPERATIONAL RANGE

- Locate the power input rating marked on the product and confirm its operational range as indicated below:
AC power: Rating $\pm 10\%$, 50/60 ± 2 Hz, approx. 5VA
DC power: Rating $\pm 10\%$, approx. 150mA

■ GENERAL PRECAUTIONS

- Before you remove the unit from its base socket or mount it, turn off the power supply and input signal for safety.

■ ENVIRONMENT

- Indoor use.
- When heavy dust or metal particles are present in the air, install the unit inside proper housing with sufficient ventilation.
- Do not install the unit where it is subjected to continuous vibration. Do not subject the unit to physical impact.
- Environmental temperature must be within -5 to +60°C (23 to 140°F) with relative humidity within 30 to 90% RH in order to ensure adequate life span and operation.

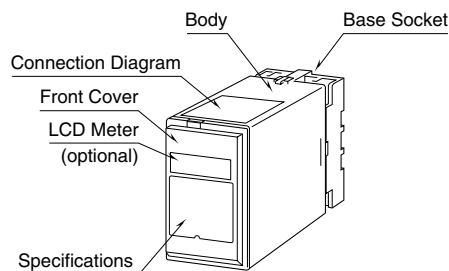
■ WIRING

- Do not install cables close to noise sources (relay drive cable, high frequency line, etc.).
- Do not bind these cables together with those in which noises are present. Do not install them in the same duct.

■ AND

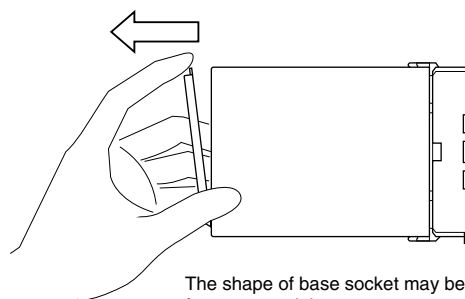
- The unit is designed to function as soon as power is supplied, however, a warm up for 10 minutes is required for satisfying complete performance described in the data sheet.

COMPONENT IDENTIFICATION



■ HOW TO OPEN THE FRONT COVER:

Hang your finger on the hook at the top of the front cover and pull.



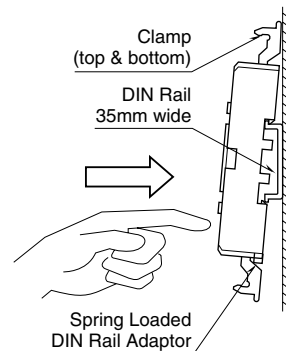
The shape of base socket may be different for some models.

INSTALLATION

Detach the yellow clamps located at the top and bottom of the unit for separate the body from the base socket.

■ DIN RAIL MOUNTING

Set the base socket so that its DIN rail adaptor is at the bottom. Hang the upper hook at the rear side of base socket on the DIN rail and push in the lower. When removing the socket, push down the DIN rail adaptor utilizing a minus screwdriver and pull.



■ WALL MOUNTING

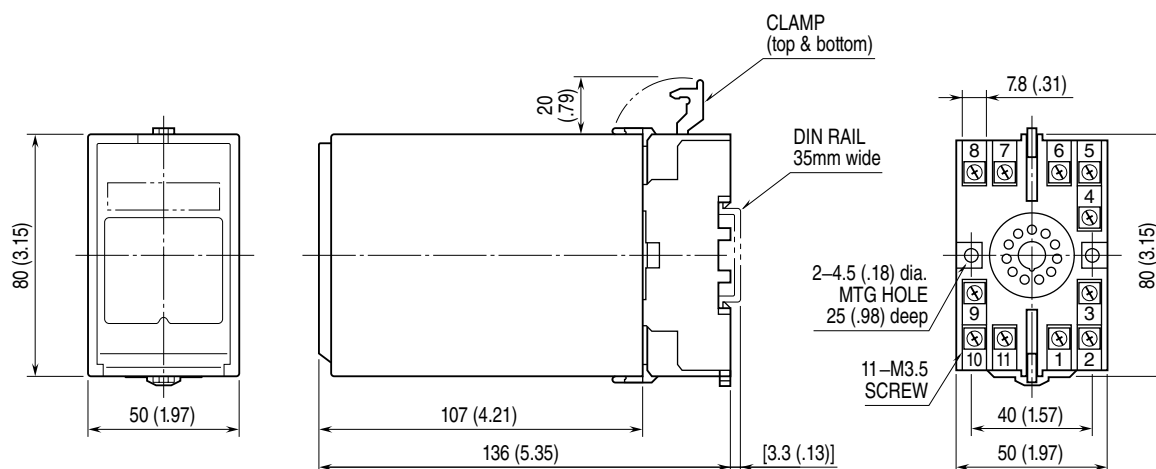
Refer to "EXTERNAL DIMENSIONS."

Shape and size of the base socket are slightly different with various socket types.

TERMINAL CONNECTIONS

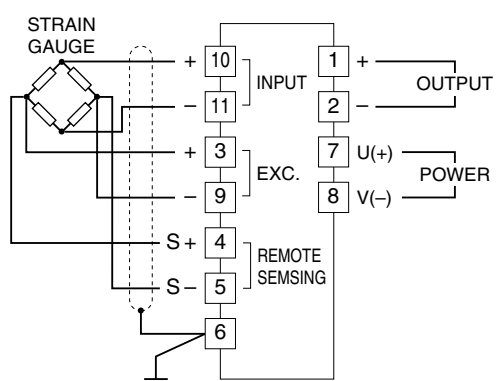
Connect the unit as in the diagram below or refer to the connection diagram on the top of the unit.

EXTERNAL DIMENSIONS unit: mm (inch)



• When mounting, no extra space is needed between units.

CONNECTION DIAGRAM

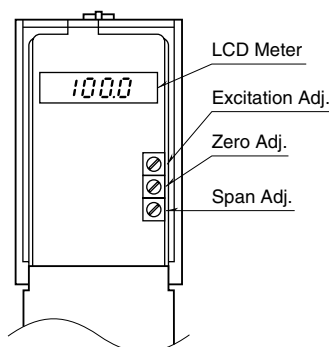


Close across the terminal 3 – 4 and 5 – 9 when the remote sensing is not used.

CHECKING

- 1) Terminal wiring: Check that all cables are correctly connected according to the connection diagram.
- 2) Power input voltage: Check voltage across the terminal 7 – 8 with a multimeter.
- 3) Strain gauge: Check the bridge resistance. The maximum current supplied to the strain gauge is 65mA.
- 4) Input: When applying maximum load, check voltage across the terminal 10 (+) – 11 (–) equals Exc. × Strain Gauge Sensitivity.
- 5) Output: Check that the load resistance meets the described specifications.

ADJUSTMENT PROCEDURE



■ LCD METER

Indicates input in % (0 – 100%).

■ EXCITATION ADJUSTMENT

The excitation voltage is calibrated at the factory, therefore will not usually require adjustment, except when used in combination with a strain gauge of sensitivity other than described on the specifications.

In that case, adjust to the value calculated by the following equation:

$$\text{Excitation [V]} = \frac{5 \text{ [V]} \times a \text{ [mV/V]}}{b \text{ [mV/V]}}$$

where a: Factory set sensitivity value marked on the product

b: User's sensitivity value

Adjustable range is within 2V to 5V with bridge resistance of 350Ω.

■ ZERO (TARE) ADJUSTMENT

Adjustable from 0 to 80% of the input span (strain gauge rating). With no load applied, turn the Zero Adjustment until the output shows 0%.

■ SPAN (SENSITIVITY) ADJUSTMENT

Adjustable from 20 to 100% of the input span (strain gauge rating). With the full-scale load, turn the Span Adjustment until the output shows 100%.

MAINTENANCE

Regular calibration procedure is explained below:

■ CALIBRATION

Warm up the unit for at least 10 minutes. Apply 0%, 25%, 50%, 75% and 100% input signals. Check that the output signal for the respective input signal remains within accuracy described in the data sheet. When the output is out of tolerance, recalibrate the unit according to the "ADJUSTMENT PROCEDURE" explained above.

LIGHTNING SURGE PROTECTION

We offer a series of lightning surge protector for protection against induced lightning surges. Please contact us to choose appropriate models.