

BEFORE USE

Thank you for choosing us. Before use, please check contents of the package you received as outlined below. If you have any problems or questions with the product, please contact our sales office or representatives.

■ PACKAGE INCLUDES:

- Surge protector.....(1)
 - DIN rail mounting adaptor*.....(1)
 - Screws for DIN rail mounting (M4 × 8)*(2)
- *Included with option code /A33

■ MODEL NO.

Confirm Model No. marking on the product to be exactly what you ordered.

■ INSTRUCTION MANUAL

This manual describes necessary points of caution when you use this product, including installation, connection and basic maintenance procedures.

LIMITATION APPLICABLE TO M-RESTER

The M-RESTER will protect electronics equipment from damage caused by lightning by absorbing most of the surge voltages.

However, M-RESTER may not be effective against certain extremely high voltages caused by a direct or almost direct hit by lightning.

M-RESTER must be installed according to this installation / instruction manual.

GENERAL

■ FUNCTION & FEATURES

- Designed specifically for LonWORKS network
- No interruption of transmission signal by unplugging the head element module

■ SPECIFICATIONS

	LINE TO LINE	LINE TO EARTH	SHLD TO EARTH
Max. continuous operating voltage (Uc)	±1.5V	±100V	±160V
Voltage protection level (Up) @2kV (1kA)	±40V	±350V	±650V
Leakage current	≤ 0.15mA @±1.5V	≤ 20µA @±100V	≤ ±20µA @±160V
Capacitance @1 MHz	≤ 200 pF	≤ 200 pF	≤ 30 pF
Response time	≤ 4 nsec.	≤ 20 nsec.	≤ 20 nsec.
Max. discharge current (Imax)	5000A (8 / 20 µs)		
Nominal current (IN)	100mA		
Internal series resistance	≤ 3.3 Ω including return		
Max. line voltage	±1.5V		
Input attenuation	-1 dB or less @DC...100 kHz, Z0 = 50 Ω		

POINTS OF CAUTION

■ ENVIRONMENT

- When heavy dust or metal particles are present in the air, install the surge protector inside proper housing with sufficient ventilation.
- Do not install the surge protector where it is subjected to continuous vibration. Do not subject the unit to physical impact.
- Environmental temperature must be within -5 to +55°C (23 to 131°F) with relative humidity within 30 to 90% RH in order to ensure adequate life span and operation.

■ NETWORK SPECIFICATIONS

- The MDP-LWA is applicable to networks which consist only of FTT-10A. Not applicable to the ones connected to Link Power network.
- For detailed information on the network, refer to LonWORKS FTT-10A Free Topology Transceiver User's Guide provided by Echelon.

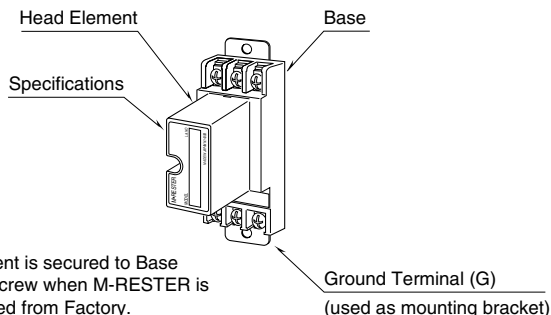
■ DIELECTRIC STRENGTH TEST

- Loosen the screw located at the left-center of the element and remove the element module from the base before conducting a dielectric strength testing. Otherwise the element will start discharging at a voltage exceeding the max. continuous operating voltage (Uc), which can cause insulation failure of the module.
Be sure to return the element and fasten securely after the test.

■ AND

- We recommend that you keep spare surge protectors so that you can replace them when necessary.
- Lightning surge can enter not only through signal lines but also through power supply lines. We recommend that you also use the surge protectors for power line for sufficient protection.

COMPONENT IDENTIFICATION



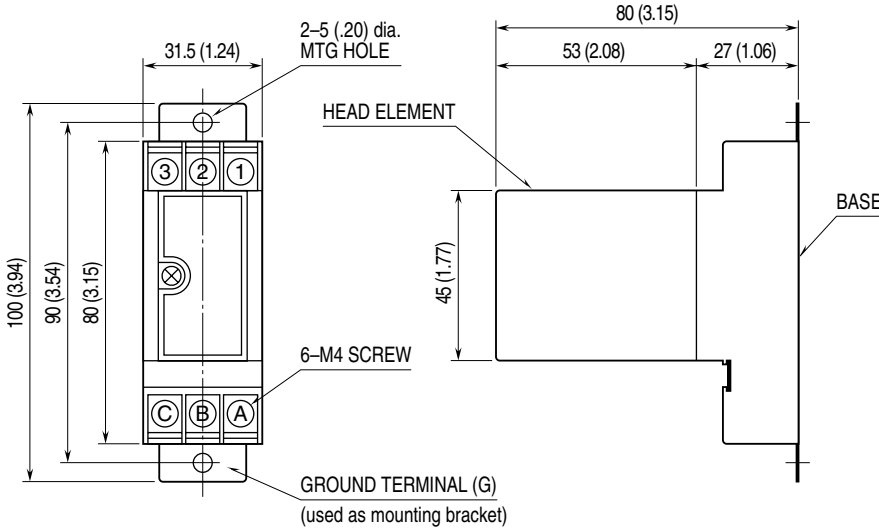
INSTALLATION

In order to separate the head element from the base, loosen the screw located at the left-center of the element.

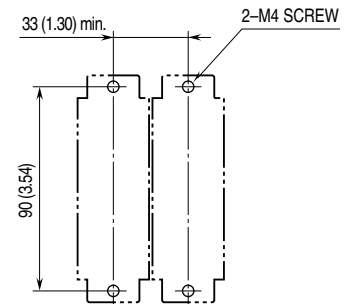
WALL MOUNTING

Refer to the drawings below.

EXTERNAL DIMENSIONS unit: mm (inch)



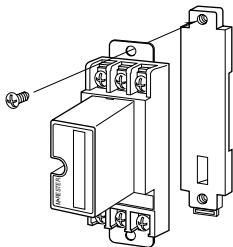
MOUNTING REQUIREMENTS unit: mm (inch)



DIN RAIL MOUNTING (Only for /A33)

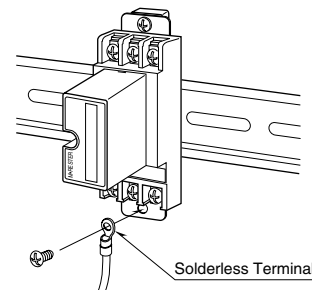
1. MOUNTING ONTO THE ADAPTOR

Before DIN rail mounting, secure the mounting bracket of MDP to the mounting adaptor with a screw provided with this product. In this step, secure at one point.



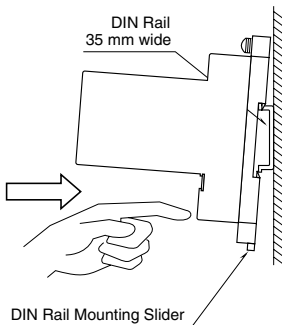
3. GROUNDING

Secure the mounting bracket at the other point with the other screw. In this step, secure the grounding wire together with the screw.

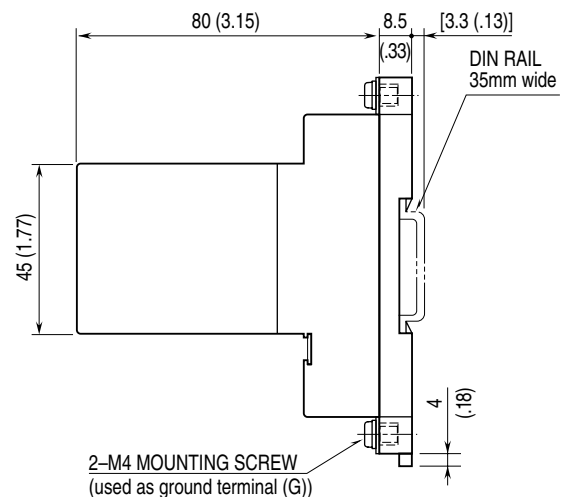


2. DIN RAIL MOUNTING

Set the base socket so that its mounting slider is at the bottom. Position the upper hook at the rear side of base socket on the DIN rail and push in the lower. When removing the socket, push down the mounting slider utilizing a minus screwdriver and pull.



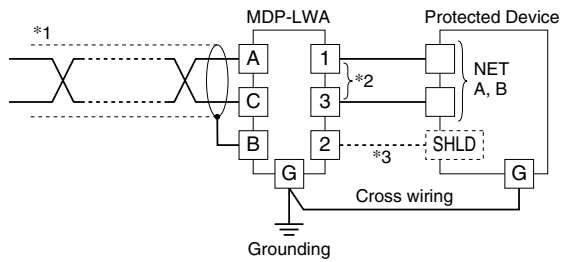
MOUNTING REQUIREMENTS unit: mm (inch)



TERMINAL CONNECTION

Connect the unit as in the diagram below.

Be sure to cross-wire between the Ground terminal (G) and that of the protected equipment. When the surge protector is connected with a device which has no ground terminal (See figure below), ground the M-RESTER Ground terminal (G) only.

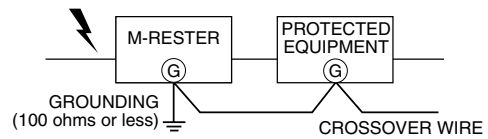


*1. Be sure to use twisted-pair cables.

*2. No polarity.

*3. With shielded twisted-pair cables, connect the shield to the surge protector's [B] terminal. Follow instructions provided with the protected device whether [2] terminal should be connected or not. However, if the shield terminal of the protected device is not isolated from NET A / B, DO NOT connect [2] terminal to the protected device.

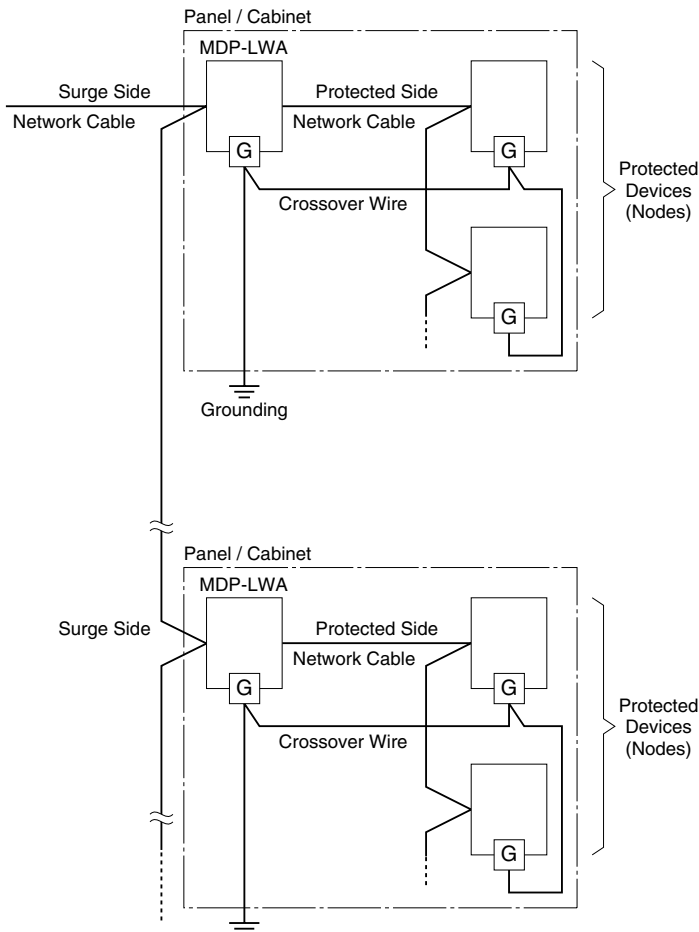
■ GROUNDING



A crossover wire between M-RESTER ground and the ground or metallic housing of the equipment is required for protection. If the protected equipment has no ground terminal, ground the M-RESTER only.

When the M-RESTER is mounted with DIN Rail Mounting Adapter, connect the grounding wire to the mounting screw of the M-RESTER.

■ NETWORK CONFIGURATION



- The MDP-LWA is applicable to networks which consist only of FTT-10A. Not applicable to the ones connected to Link Power network.
- The maximum number of nodes connectable to the network segment is reduced by one when one unit of MDP-LWA is added.
- When the distance between nodes are relatively long (e.g. grouped and separated by cabinets), install the MDP-LWA by each group of devices. Insert the MDP-LWA at the surge side of the network.
- For detailed information on the network, refer to LowWorks FTT-10A Free Topology Transceiver User's Guide provided by Echelon.

WIRING INSTRUCTIONS

■ SCREW TERMINAL

Torque: 0.8 N·m

MAINTENANCE

Check surge protectors periodically. Many cases of lightning are ignored, and even lightning at a far distance often causes inductive surges.

We recommend that you check your surge protector about twice a year, before and after the rainy season. Check whenever you experience a strong lightning occurrence.

Checking procedure is explained in the following:

■ CHECKING

WIRING

- 1) Make sure that wiring is done as instructed in the connection diagram.
- 2) Make sure that the Ground terminal (G) is connected to the metallic housing of protected equipment.
- 3) Make sure that the Ground terminal (G) is grounded to earth.

DISCHARGE FUNCTION

The M-RESTER Tester is available for a preliminary checking of the surge protector's head element.

Approximate testing procedure without using the Tester is explained as below.

- 1) Remove all wiring connected to the surge protector when you test the element module.
- 2) Check resistance across the following terminals on the high resistance range of multimeter ($\leq 1V$) and confirm no conduction. The meter shows a value equivalent to open circuit.
Terminals (A) – (B), (A) – (C), (B) – (C)
(A) – (G), (B) – (G), (C) – (G)
- 3) Check that discharging occurs across the same terminals with a 500V DC 1000M Ω insulation tester (The tester shows $\leq 20M\Omega$).

If any of the above tests shows negative, replace the protector.