

<b>LIGHTNING SURGE PROTECTOR FOR FOUNDATION Fieldbus (ultra-slim)</b>	MODEL <b>MD7FB</b>
---	--------------------

**BEFORE USE ....**

Thank you for choosing us. Before use, please check contents of the package you received as outlined below. If you have any problems or questions with the product, please contact our sales office or representatives.

**■ PACKAGE INCLUDES:**

Surge protector.....(1)

**■ MODEL NO.**

Confirm Model No. marking on the product to be exactly what you ordered.

**■ INSTRUCTION MANUAL**

This manual describes necessary points of caution when you use this product, including installation, connection and basic maintenance procedures.

**LIMITATION APPLICABLE TO M-RESTER**

The M-RESTER will protect electronics equipment from damage caused by lightning by absorbing most of the surge voltages.

However, M-RESTER may not be effective against certain extremely high voltages caused by a direct or almost direct hit by lightning.

M-RESTER must be installed according to this installation / instruction manual.

**GENERAL**

**■ FUNCTION & FEATURES**

- High discharge current capacity 20 kA (8 / 20 μs), 1 kA (10 / 350 μs)
- Ultra-thin 7-mm-wide module can be mounted in high density
- Excellent protection employing multi-stage SPD circuits
- DIN rail mounting and grounding
- Shield terminal provided

**■ SPECIFICATIONS**

	LINE TO LINE	LINE TO EARTH	SHLD TO EARTH
Max. continuous operating voltage (Uc)	±32V	±160V	±160V*1
Voltage protection level (Up) @4kV (1.2 / 50 μs)	±60V	±800V	±800V*1
Leakage current @Uc	≤ 5μA	≤ 5μA	≤ 5μA*1
Response time	≤ 4 nsec.	≤ 20 nsec.	≤ 20 nsec.*1
Approx. capacitance @10 kHz	1500 pF	100 pF	100 pF*1
Max. discharge current (Imax)	20kA (8 / 20 μs) 1.0kA (10 / 350 μs)		
Nominal current (In)	400mA		
Internal series resistance	1.5Ω ±10% per line		

\*1. Values for the MD7FB-FF.  
Shortcircuited for the MD7FB-FG.

**POINTS OF CAUTION**

**■ ENVIRONMENT**

- Indoor use.
- When heavy dust or metal particles are present in the air, install the unit inside proper housing with sufficient ventilation.
- Do not install the unit where it is subjected to continuous vibration. Do not subject the unit to physical impact.
- Environmental temperature must be within -25 to +85°C (-13 to +185°F) with relative humidity within 30 to 90% RH in order to ensure adequate life span and operation.
- This unit needs a DIN rail as earth grounding bar. Oxide coating of an aluminium rail may lower the electric conductivity between this module and the ground. Use a steel or copper rail.

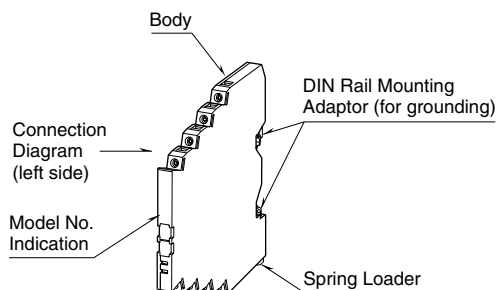
**■ DIELECTRIC STRENGTH TESTING**

- The surge protector starts discharging when 160V or greater voltage is applied between lines and earth. Remove the grounding wire before conducting a test. Be sure to return the wire after the test.

**■ AND ....**

- We recommend that you keep spare surge protectors so that you can replace them when necessary.
- Lightning surge can enter not only through signal lines but also through power supply lines. We recommend that you also use the Lightning Surge Protector for Power Lines for adequate protection.

## COMPONENT IDENTIFICATION

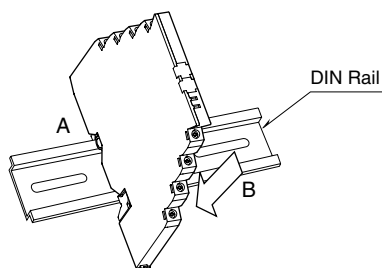


## INSTALLATION

Mount the unit on a DIN rail. Once installed, do not move it to another DIN rail.

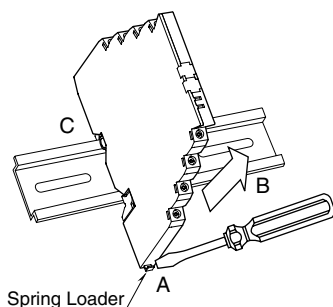
### ■ MOUNTING THE UNIT ON A DIN RAIL

- A) Hang the upper hook of the DIN rail mounting adaptor at the rear side of unit, on the DIN rail.
- B) Push in the lower in keeping pressing the unit to the DIN rail.
- C) DIN rails generally have slight individual variability in size. If you find it difficult to push in the lower part, go back to (A) and hang the upper part more deeply onto the rail and try (B) again.



### ■ REMOVING THE UNIT

- A) Push down the spring loader utilizing a minus screwdriver.
- B) Confirm that it is pulled enough down and pull out the lower part of the unit.
- C) Detach the upper part from the DIN rail.



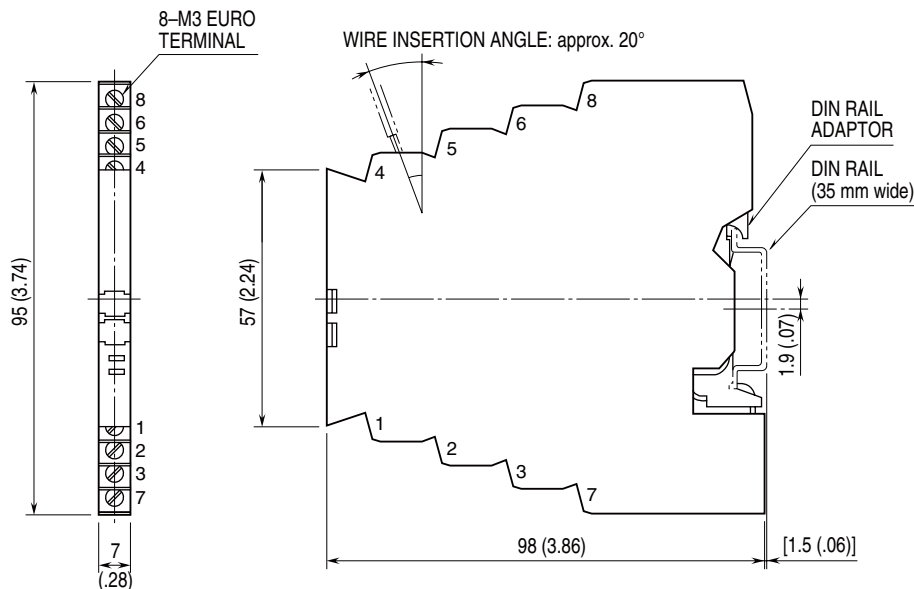
## TERMINAL CONNECTION

Connect the unit as in the diagram below.

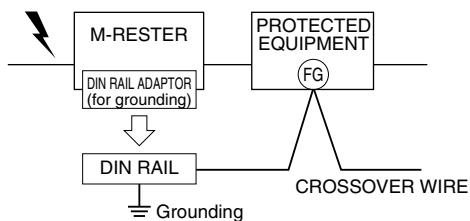
Be sure to ground the DIN rail on which the unit is mounted and cross-wire between the rail and FG terminal of the protected device as shown in Figure 1 in order to equalize the earth potential.

When the unit is connected with a device which has no FG terminal, ground the surge protector only.

### EXTERNAL DIMENSIONS unit: mm (inch)



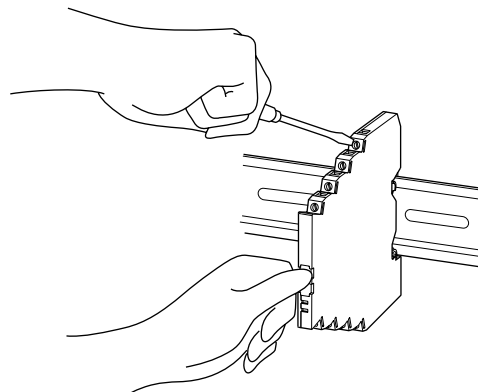
### Figure 1. GROUNDING



Cross-wire from the DIN rail to the metal housing of the protected device to equalize the ground potential.

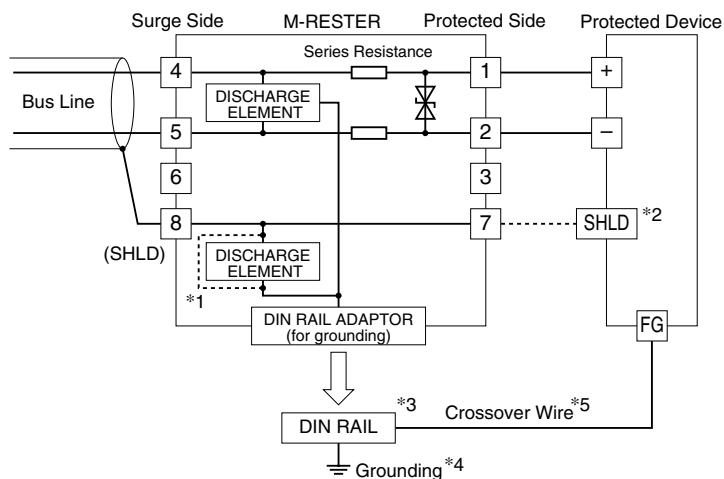
Ground only the surge protector when the protected device has no grounding terminal.

### CAUTION WHEN WIRING



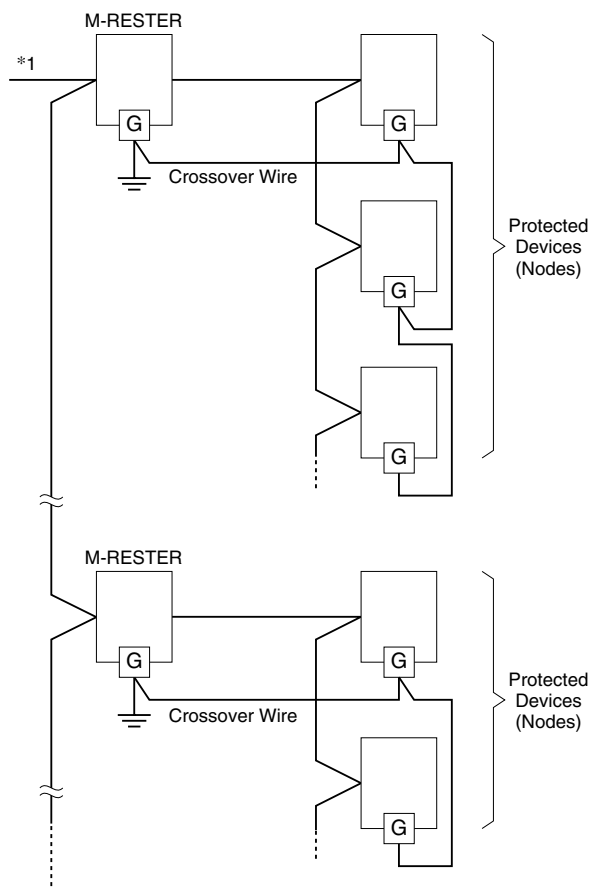
Hold the module steady at the front when you tighten/loosen screw terminals.

## CONNECTION DIAGRAM



- \*1. Choose the grounding (FG) when the shield wire is to be grounded.
- \*2. When SHLD is not isolated from the bus line, DO NOT connect the surge protector's terminal 7 to SHLD.
- \*3. Oxide film on the surface of an aluminium rail may lower the electric conductivity between this module and the ground. Use a steel or copper rail.
- \*4. Be sure to ground the DIN rail. Recommended grounding resistance max. 100 ohms.
- \*5. Cross-wire from the DIN rail to the metal housing of the protected device to equalize the ground potential. Ground only the surge protector when the protected device has no grounding terminal.

## NETWORK CONFIGURATION



- \*1. Fieldbus devices complying with IEC 61158-2 operate by a supply voltage between 9V and 32V DC. Take the M-RESTER's internal series resistance into consideration when determining the cable distance if there is a large current flow on the bus line.

When the distance between nodes are relatively long (e.g. grouped and separated by cabinets), install the M-RESTER by each group of devices. Insert the M-RESTER at the surge side of the network. For detailed information on the network, refer to that provided by Fieldbus Foundation.

---

## WIRING INSTRUCTIONS

### ■ EURO TERMINAL

Torque: 0.3 N·m

Applicable wire size: 0.2 – 2.5 mm<sup>2</sup>

Stripped length: 8 mm

---

## MAINTENANCE

Check surge protectors periodically. Many cases of lightning are ignored, and even lightning at a far distance often causes inductive surges.

We recommend that you check your surge protector about twice a year, before and after the rainy season. Check whenever you experience a strong lightning occurrence.

Checking procedure is explained in the following:

### ■ CHECKING

#### WIRING

- 1) Make sure that wiring is done as instructed in the connection diagram.
- 2) Make sure that the DIN rail is connected to the metal enclosure of protected device.
- 3) Make sure that the surge protector is securely attached to the DIN rail, and that the rail is grounded to earth.

#### DISCHARGE ELEMENT

- 1) Remove all wiring connected to the surge protector when you test the module.
- 2) Check resistance across the following terminals on the high resistance range of multimeter and confirm no conduction.  
Terminals (4) – (5), (4) – (DIN rail),  
(5) – (DIN rail), (8) – (DIN rail)  
The tester should show 10 MΩ or greater.  
For the MD7FB-FGx, (8) – (DIN rail) should show approx. 0 Ω.
- 3) Confirm conduction across the same terminals with a 500 V DC 1000 MΩ insulation tester. The tester should show 20 MΩ or less.
- 4) If any of the above tests shows negative, replace the surge protector.