

<p>INSTALLATION BASE (8 positions, Toshiba DCS SAMP1 supported / M3.5 screw terminal)</p>	<p>MODEL M8BS-8E1A</p>
---	-------------------------------

BEFORE USE

Thank you for choosing us. Before use, please check contents of the package you received as outlined below. If you have any problems or questions with the product, please contact our sales office or representatives.

■ PACKAGE INCLUDES:

Installation base.....(1)

■ MODEL NO.

Confirm Model No. marking on the product to be exactly what you ordered.

■ INSTRUCTION MANUAL

This manual describes necessary points of caution when you use this product, including installation, connection and basic maintenance procedures.

POINTS OF CAUTION

■ POWER INPUT RATING & OPERATIONAL RANGE

- Locate the power input rating marked on the product and confirm its operational range as indicated below:
 85 – 132V AC rating: 85 – 132V, 47 – 63 Hz, ≥ 130VA
 170 – 264V AC rating: 170 – 264 V, 47 – 63 Hz, ≥ 130VA
 24V DC rating: 24V ±10%, ≥ 0.7A

■ GENERAL PRECAUTIONS

- Before you remove the unit from the base or mount it, turn off the power supply and input signal for safety.

■ ENVIRONMENT

- Indoor use.
- When heavy dust or metal particles are present in the air, install the installation base inside proper housing and ventilate it.
- Do not install the base where it is subjected to continuous vibration. Do not subject the unit to physical impact.
- Environmental temperature must be within 0 to 55°C or 32 to 131°F (0 to 50°C or 32 to 122°F for AC power) with relative humidity within 30 to 90% RH in order to ensure adequate life span and operation.
- Be sure that the ventilation slits are not covered with cables, etc.

■ WIRING

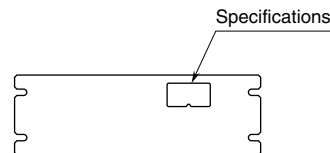
- Do not install cables close to noise sources (relay drive cable, high frequency line, etc.).
- Do not bind these cables together with those in which noises are present. Do not install them in the same duct.
- Be sure to close the terminal cover for safety.

■ AND

- The unit is designed to function as soon as power is supplied, however, a warm up for 10 minutes is required for satisfying complete performance described in the data sheet.

COMPONENT IDENTIFICATION

■ REAR VIEW



MOUNTING REQUIREMENTS unit: mm (inch)

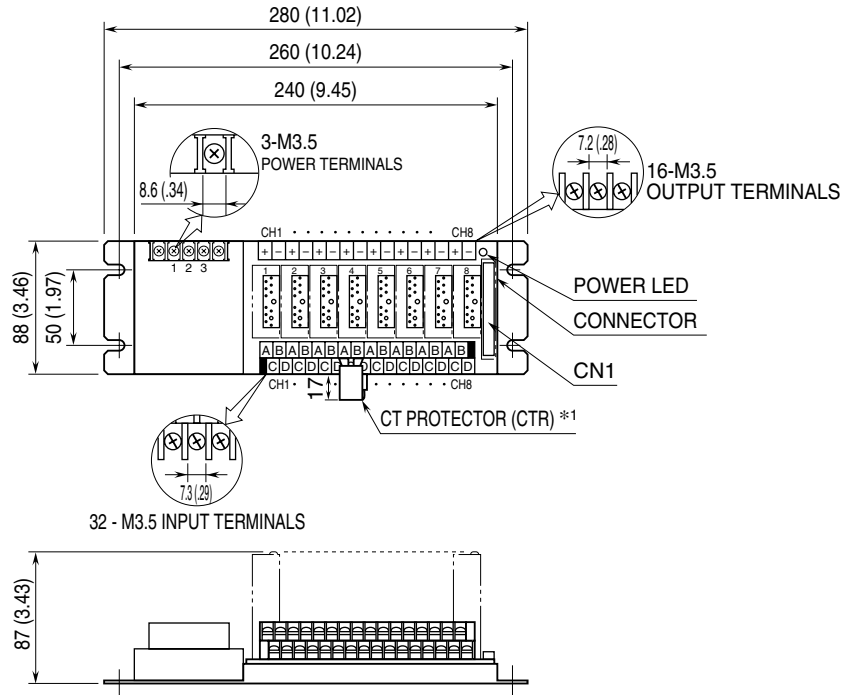


TERMINAL CONNECTIONS

Connect the unit as in the diagram below.

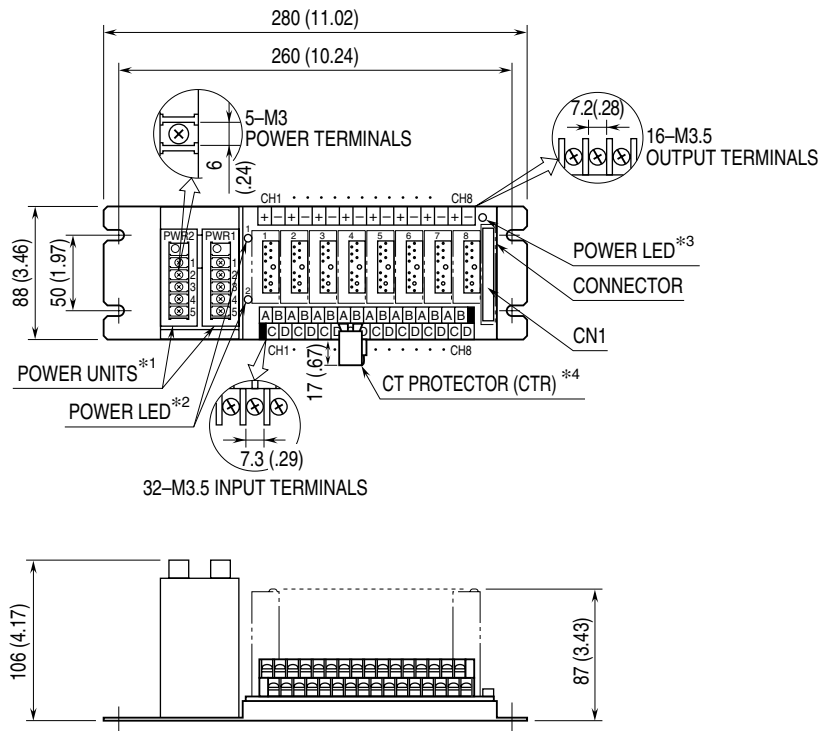
■ EXTERNAL DIMENSIONS unit: mm (inch)

• M8BS-8E1A-R



*1. Included with M8CTx.

• M8BS-8E1A-K, KK, L



*1. PWR2 provided only for two independent power sources.

*2. Provided only for two independent power sources.

*3. Provided only for single power source.

*4. Included with M8CTx.

■ CONNECTOR PIN ASSIGNMENT

Output connector: Omron XG4A-4031

CN1: SAMP1

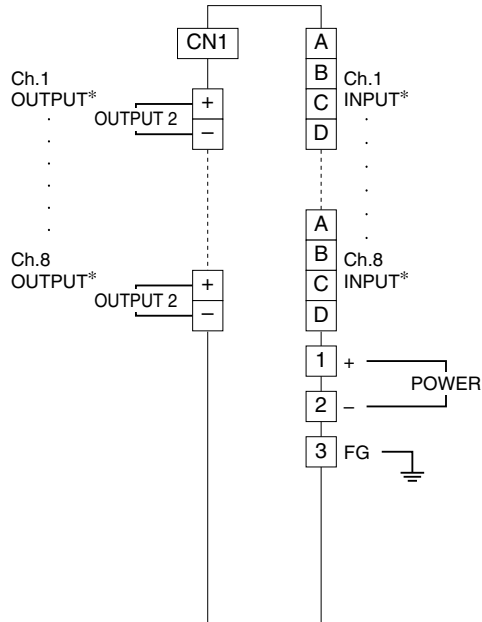
The input or output 1 is connected to the connector.

PIN NO.	ASSIGNMENT	PIN NO.	ASSIGNMENT
1	NC	21	NC
2	NC	22	NC
3	NC	23	ch. 5 +
4	NC	24	ch. 5 -
5	NC	25	NC
6	NC	26	NC
7	NC	27	ch. 4 +
8	NC	28	ch. 4 -
9	NC	29	NC
10	NC	30	NC
11	ch. 8 +	31	ch. 3 +
12	ch. 8 -	32	ch. 3 -
13	NC	33	NC
14	NC	34	NC
15	ch. 7 +	35	ch. 2 +
16	ch. 7 -	36	ch. 2 -
17	NC	37	NC
18	NC	38	NC
19	ch. 6 +	39	ch. 1 +
20	ch. 6 -	40	ch. 1 -

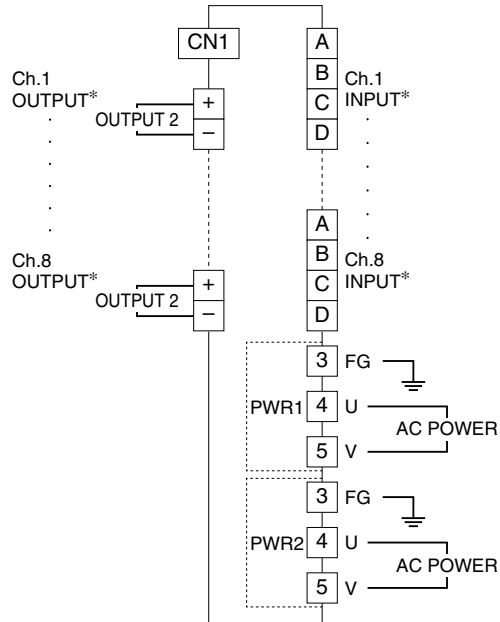
Toshiba DCS SAMP1 uses Panasonic AXM240001. As connector is discontinued, Omron XG4A-4031 is used as an alternative (Replace cable side).

■ CONNECTION DIAGRAM

■ DC Power Supply



■ Single Power Supply, Two Independent Power Sources



PWR2 provided only for two independent power sources.

* The input and output terminals are reversed for model M8YSx, M8YCx.
Use either Output 1 (connector) or Output 2 terminal for the input.

WIRING INSTRUCTIONS

■ M3.5 Screw (I/O, DC power supply unit)

Torque: 0.8 N·m

■ M3 Screw (AC power supply unit)

Torque: 0.5 N·m

CHECKING

- 1) Terminal wiring: Check that all cables are correctly connected according to the connection diagram.
- 2) Power input voltage: Check voltage across the power terminals.
- 3) Installation & environment

MAINTENANCE

For maintaining AC power supply types, DC Power Supply Units are available as below:

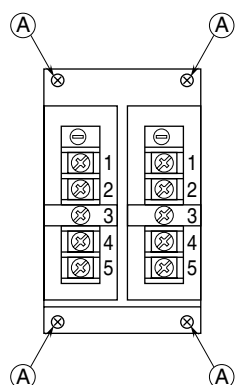
- 85 – 132V AC: HDC6-2-K
- 170 – 264V AC: HDC6-2-L

Power units' standard life is expected for 10 years with average ambient temperature 30°C (86°F) and 0.4A load. Contact us for use in extremely different conditions.

■ HOW TO REPLACE THE POWER UNIT

- 1) Prepare Power Unit (switching regulator) model HDC6-2-K or HDC6-2-L.
- 2) Turn off the power supply connected to the Power Unit.
- 3) Detach the wire binding and remove the wiring connected to the power terminals 1 – 2 and 4 – 5.
- 4) Loosen and remove the mounting screws **A** (4 places) and the screws which fixing the Power Unit to the base plate.
- 5) Detach the Power Unit from the Installation Base.
- 6) Attach the new Power Unit to the Installation Base and tighten the screws in reverse order as explained above.

■ FRONT VIEW



Mounting screws with washer for attaching power unit, M3 x 5 screws, 2 pls. per unit

- A : Mounting screws with washer, M3 x 6 (4 pls.)
 1 : 24V DC (+)
 2 : 24V DC (-)
 3 : FG
 4 : AC power input (U)
 5 : AC power input (V)

LIGHTNING SURGE PROTECTION

We offer a series of lightning surge protector for protection against induced lightning surges. Please contact us to choose appropriate models.