

<p><b>STEP-TOP ELECTRONIC ACTUATOR</b> (Linear type with Auto-setup function; Modbus communication)</p>	<p>MODEL <b>PSP20</b></p>
-------------------------------------------------------------------------------------------------------------	---------------------------

**BEFORE USE ....**

Thank you for choosing us. Before use, please check contents of the package you received as outlined below.

If you have any problems or questions with the product, please contact our sales office or representatives.

**■ PACKAGE INCLUDES:**

Step-Top Electronic Actuator unit.....(1)

**■ MODEL NO.**

Confirm Model No. marking on the product to be exactly what you ordered.

**■ SAFETY PRECAUTIONS**

Before use, please read all the following precautions carefully to ensure the safety. These safety precautions, classified into “WARNING” and “CAUTION” according to the degree of damage that may be caused by improper use of the product, are imperative to prevent an accident. After reading, be sure to keep this manual always in a visible and accessible place for the user.

△ **WARNING** Suggesting that failure to observe the precautions could result in death or serious personal injury.

△ **CAUTION** Suggesting that failure to observe the precautions could result in personal injury or damage to the property.

<p>△ <b>WARNING</b></p>
<p>Remove power supply to the actuator before wiring to the unit. It could cause electric shock.</p>
<p>Do not disassemble or modify the unit in any way. It could cause electric shock, burn, or injury.</p>
<p>DO NOT step onto the actuator unit. DO NOT rest a heavy object on or against the unit. It could cause personal injury.</p>
<p>When installing the actuator unit outdoor or where it is exposed to rain or water drops, adequate precautions must be taken for preventing water from entering inside through wiring conduits. It could cause electric shock.</p>
<p>When performing manual operation, be sure that the power supply is removed. A user's hand or arm could be caught, resulting in serious injury.</p>

<p>△ <b>CAUTION</b></p>
<p>DO NOT remove the cover of the actuator. It may cause electric shock or injury.</p>
<p>The adjusters which are paint-sealed are for factory use only and should be changed only by our qualified personnel. Otherwise it could cause breakdown.</p>
<p>We are not liable for any malfunction or inconvenience caused by unauthorized changes made by the user.</p>

**■ INSTRUCTION MANUAL**

This manual describes necessary points of caution for handling this product and specifically for installation, wiring, hardware setting, and basic maintenance of the product.

This unit is factory-adjusted and calibrated according to the Ordering Information Sheet.

Refer to the users manual (EM-4888) for the PC Configurator Software (Model: STCFG (Ver. 1.3)).

When the user needs to change settings, please also refer to the Section B of Operation Manual (EM-9255) for the Programming Unit (Model: PU-2x).

**POINTS OF CAUTION**

**■ POWER INPUT RATING & OPERATIONAL RANGE**

- Locate the power input rating marked on the product and confirm its operational range as indicated below:  
24V DC: 24V rating ±10%, approx. 1.5 - 4.5 A

**■ HUNTING**

- Hunting is a condition in which the output stem is oscillated repeatedly and persistently without settling at a single position.
- The actuator unit must operate at an average duty cycle of 50% (approx. 13 strokes per minute) or less.

**■ GENERAL PRECAUTIONS**

- Remove the power supply to the actuator before wiring the unit.
- DO NOT install signal wires and power supply wires together in one duct because it may cause a malfunction due to induction noises. Alternatively, use shielded cables for the input signal wires to prevent interference from such noises.
- If input signals are to be turned on/off with power supplied to the actuator, be sure to specify the output stem operation for when abnormally low input is detected.
- DO NOT loosen the screws fixing the potentiometer inside the unit.

**■ INSTALLATION**

- Indoor, or outdoor where the unit is NOT exposed to direct sunlight.
- Operating temperature -25 to +66°C (5 to 150.8°F)
- Operating humidity 30 to 90% RH (non-condensing)
- The unit is not designed to withstand all vibrations. We do not guarantee long-term use of the unit even with small vibrations. Please use the unit only after evaluating in an actual installation environment. Particularly, avoid using under the condition where valve cavitation or water hammer is likely to occur.
- Install the unit where it can be reached for maintenance and inspection. Be sure to allow at least 20 cm (7.9 inches) clearance above the unit and around the terminal box.
- Keep away from hazardous atmosphere such as explosive or corrosive gases.

**■ PID CONTROL SIGNAL**

- Choose PID parameters carefully so that the MV remains as stable as possible to prevent hunting. Unstable control shortens the life of actuator and valve.

**■ TRANSPARENT COVER FOR TERMINAL BOX**

- When reattaching the transparent cover after wiring, make sure that the packing and O ring are securely in place.

**■ SCREW TORQUE**

- The torque for tightening screws for the transparent cover is between 1.2 – 2 N·m (0.89 – 1.5 ft·lbf). The screws must be tightened evenly and crosswise in several steps to prevent uneven clamping.

**■ YOKE DESIGN**

- When a foreign object is caught in the valve, an excessive torque may be applied to the yoke. Taking it into account, design the yoke and joint so as to have sufficient margin in strength.
- When this unit is used in an application such as temperature control of a steam line, the temperature can rise higher than the ambient temperature due to heat conducted through or radiated from the piping. Use a longer yoke for effective heat dissipation and apply insulation material.

**■ HEATER FUNCTION AT LOW TEMPERATURE**

- Apply power voltage when the temperature is 0°C or under. Sensor inside the unit is activated at 0°C or under, and stepping motor starts heater function.
- Be sure to apply power voltage even when the PSP is unused.

Note. Storage temperature (-29 to 70°C (-20.2 to +158°F)) is for before piping. Once the PSP is piped, the temperature must be in the range of operation temperature. When using the PSP at the first time in -15°C (5°F), apply the power voltage and take 30 minutes of hold time before using the PSP.

**■ COVER**

- No need to remove the cover. All wiring, adjustments, indicator LEDs are in the terminal BOX. Remove the transparent cover to work.
- The quality inside the mechanism is stabilized by not removing the cover.

# COMPONENT IDENTIFICATION

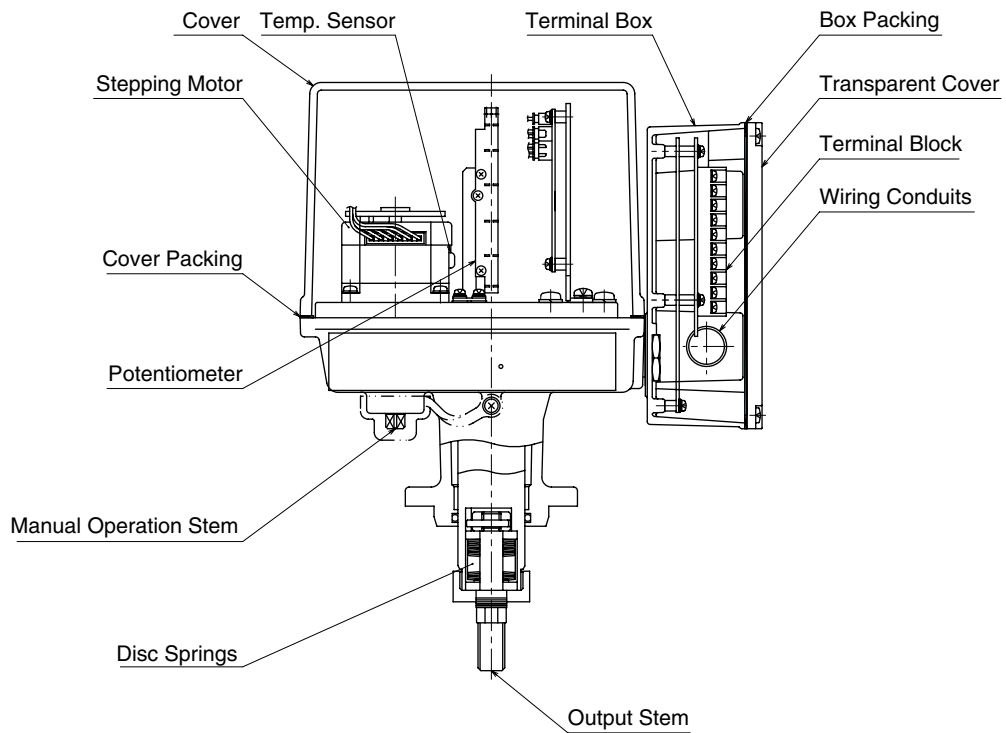


Figure 1. Component identification: PSP10

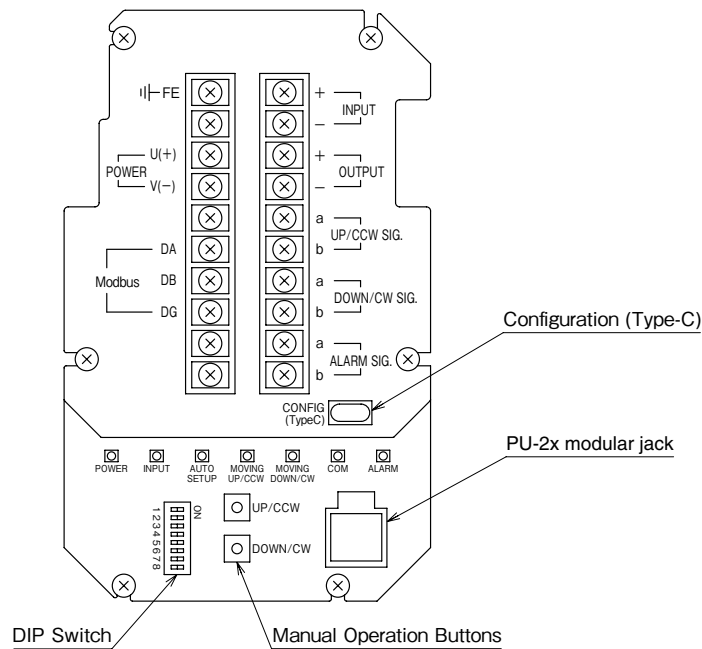


Figure 2. Component identification: Terminal Box

# STATUS INDICATOR LED AND SIDE DIP SWITCH

## ■ STATUS INDICATOR LED

ID	COLOR	STATUS	FUNCTION
POWER	Green	ON	Power is ON.
INPUT	Green	ON	Position setpoint input (analog) of 0.37 V or greater is applied. (With 250 $\Omega$ receiving resistor for current input)
AUTO-SETUP	Green	Blinks at 1 Hz	Auto-setup is in process.
		Blinks at 5 Hz for 3 sec.	Auto-setup has been successfully completed.
MOVING UP/CCW	Green	ON	Output stem is moving up.
MOVING DOWN/CW	Green	ON	Output stem is moving down.
COM	Green	ON for 1 sec.	Returning response.
ALARM	Red	Blinks at 0.5 Hz	System error (memory)
		ON	Motor deadlock alarm is output.
		Blink at 2 Hz	Motor is overheat.
		Blinks at 5 Hz	Auto-setup has failed.

## ■ SIDE DIP SWITCH SETTING

SW1	FUNCTION		
SW1-1 SW1-2	Specify the operation of the output stem when abnormally low input is detected. (INPUT LED is OFF).		
	SW1-1	SW1-2	Operation of the Output Stem
	–	ON	Stop
	OFF	OFF	Extend (Go DOWN)
	ON	OFF	Retract (Go UP)
SW1-3	OFF	Reverse (Output stem goes UP with 20 mA DC input)	
	ON	Direct (Output stem goes DOWN with 20 mA DC input)	
SW1-4	OFF	Output signal is same as input signal.	
	ON	Output signal is reversed input signal.	
SW1-5	The output stem position when the switch is turned OFF is recorded as the upper-end position.		
SW1-6	The output stem position when the switch is turned OFF is recorded as the lower-end position.		
SW1-7	Auto-setup starts when the switch is turned OFF in Manual Operation mode.		
SW1-8	OFF	Automatic operation (Operation is performed based on input signal or Modbus)	
	ON	Manual operation (Manual operation buttons are enabled and Auto-setup can be started.)	

## ■ MANUAL OPERATION BUTTON

ID	FUNCTION
UP/CCW	The output stem moves upward in Manual Operation mode as the button is pressed.
DOWN/CW	The output stem moves downward in Manual Operation mode as the button is pressed.

## ■ USB Type-C

Connecting the PSP and the PC via USB Type-C cable and using the PC configurator software, various settings, execute auto-setup, and monitoring operation status can be performed.

## ■ PU-2X MODULAR JACK

Parameter settings for Auto-setup and communication settings for Modbus can be configured on PU-2x. In addition, operation status of the unit can be monitored on PU-2x.

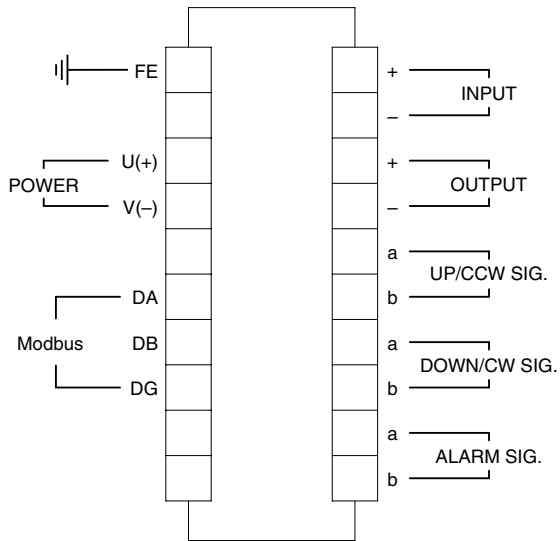
## WIRING CONNECTION

Remove the transparent cover for terminal box and wire to the terminal block according to the below figure.

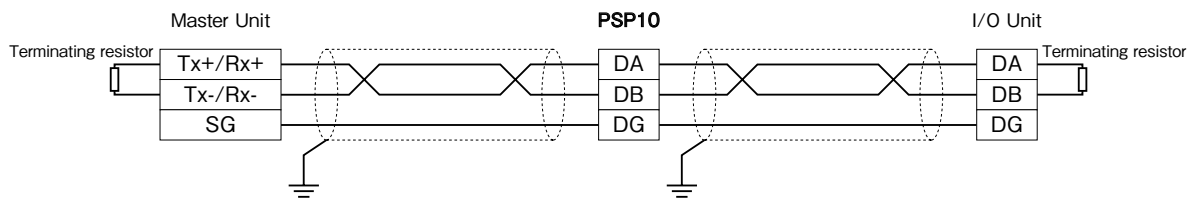
The unit can be operated once the power voltage and input signal are connected.

Also wire retract/UP, extend/DOWN, alarm, and/or output signals, as necessary.

Modbus communication allows operation without analog input and monitoring of the operation status of the unit.



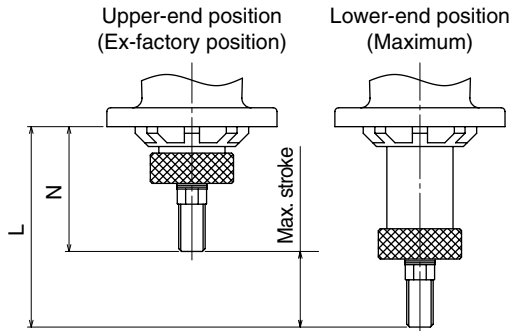
## COMMUNICATION CABLE CONNECTIONS



Terminating resistors can be turned ON/OFF on the PC configurator software (model: STCFG) or programming unit (model: PU-2x).

## OUTPUT STEM STROKES

The upper-end position and the lower-end position can be set arbitrarily within the minimum stroke and maximum stroke.



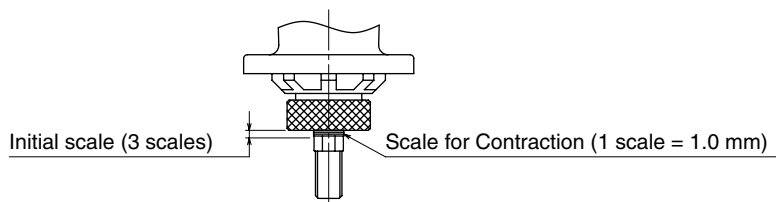
• Stroke (mm)

MODEL	N	L	MAX. STROKE	MIN. STROKE
PSP20-[1]1	66	126	60	40
PSP20-[1]2	52	112		

## CHANGES OF SEAL SPRING CONTRACTION AND THRUST

SPRING THRUST	DURING AUTO-SETUP		SETTING OF CONTRACTION			
	THRUST WHEN VALVE IS SEATED	AUTO-SETUP	0.5 mm	1.0 mm	1.5 mm	2.6 mm
3000N	2000N	2400N	2450N	2900N	<b>3000N</b>	4000N (max.)
5000N	3200N	37400N	<b>5000N</b>	6200N	7000N (max.)	

- The value of the thrust is rough indication.
- When selecting the product for 3000N or 5000N, the required maximum thrust of the valve must be less than spring thrust.
- The maximum thrust value (thrust at lock) is 4000N (max.) or 7000N (max.), however, selecting a valve with these values may shorten the product life span.



## COMBINATION WITH VALVE

### ■ OPERATION DISTANCE WHEN COMBINED WITH VALVE

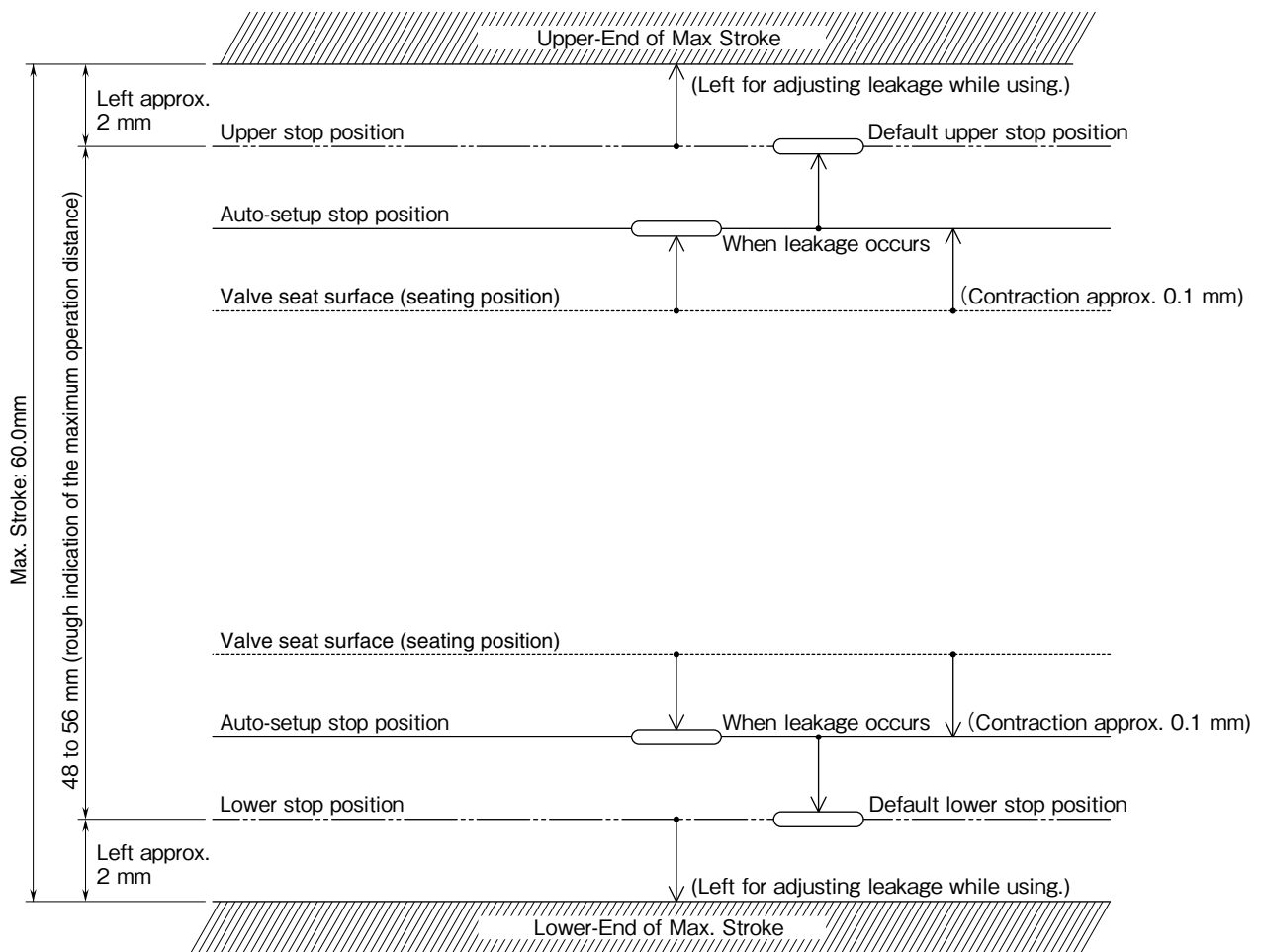
When setting the upper-stop position and the lower-stop position, it is preferable that the operation distance becomes 80% or less with respect to the maximum stroke of the actuator.

That is, when the valve is closed at the lower-end side of the actuator, if the maximum stroke is 60 mm and the lower-stop position is set at the 60.0 mm position, there will be no margin for the actuator to further go down to close the valve when valve leakage occurs. In such a case, Auto-setup may not be successfully completed.

In order to avoid such a situation, select an appropriate combination of an actuator and a valve to secure an enough operation distance. In the example below, the maximum stroke is 60 mm and thus the preferable operation distance is 48.0 mm. Set so that the distance between the upper-stop position and the lower-stop position are within the operation distance of 32.0 mm.

### ■ EXAMPLE OF PROPER OPERATION DISTANCE

When connecting the output stem of the actuator with the valve stem, determine their mounting position so that a proper operation distance can be secured.



## AUTO-SETUP MODE

Auto-setup is the function for automatically detecting the valve seat surface on the lower-end side and/or the upper-end side and determining the lower-stop position and the upper-stop position of the actuator.

Alternatively, by specifying the stroke length, the upper-stop or lower-stop position can be set to, for example, 30.0 mm upward/downward from the seated position (default value: 60.0 mm).

The contraction of the seal spring in length on the lower-end side or the upper-end side is configured within the range of 0.1 mm to 1.2 mm in 0.1 mm increments.

Note that the ex-factory settings (e.g. Auto-setup type=0; Seal spring contraction= 0.1 mm; if not specified when ordering) can be changed on PU-2x or via Modbus.

Refer to 13.9 Setting/executing Auto-setup on page 17 for parameter items to configure.

### ■ HOW TO EXECUTE AUTO-SETUP

- 1) Turn ON SW1-8 to switch from Automatic Operation mode to Manual Operation mode.
- 2) Manipulate Manual operation buttons to move the actuator to an intermediate position.  
Specifically, press [DOWN/CW] or [UP/CCW] button to move the output stem about 2 mm (allowable if 1 to 4 mm) downward or upward toward the middle position from the upper-end or the lower-end.  
Note that the stem moves differently depending on whether SW1-4 is ON or OFF (factory-set to OFF).  
Refer to the table in the section “1.9. Setting/executing Auto-setup” for details.
- 3) Start Auto-setup by following operation.
  - Turn SW1-7 ON to OFF
  - Click start button of auto-setup on the PC configurator software.
  - Enter a start command to the unit on PU-2x (ITEM=54, DATA=1, Enter)
- 4) Auto-setup is performed.  
AUTO-SETUP LED blinks at 1 Hz while Auto-setup is in process.  
Specific steps according to the Auto-setup type are as described in the table below.
- 5) Confirm that Auto-setup has been successfully completed (AUTO SETUP LED blinks at 5 Hz for 3 seconds).  
Turn OFF SW1-8 to end Auto-setup mode and switch back to Automatic Operation mode.  
Note that the actuator immediately starts to operate in accordance with a value of input signal.  
DO NOT touch the output stem and its vicinity, as it may cause serious injury to your hand or finger.
- 6) When Auto-setup has failed (ALARM LED blinks at 5 Hz), clear error by any of the following methods, then revise the settings.
  - Turn ON and OFF SW1-7
  - Enter a clear error command on PU-2x (ITEM=54, DATA=2, Enter) or via Modbus.
  - Turn OFF and ON the power supply to the actuator unit.

### ■ PROCESS STEPS OF AUTO-SETUP ACCORDING TO AUTO-SETUP TYPE

- The Auto-setup type can be selected on PU-2x or via Modbus communication.

AUTO-SETUP TYPE	STEPS OF AUTO-SETUP
0: Lower seal spring	1) The stem goes up until the valve contacts the seat surface or reaches the upper-end. 2) The output stem goes down until the valve contacts the seat surface. (Auto-setup is interrupted if the valve reaches the lower-end before it contacts the seat surface.) 3) The stem further compresses the seal spring downward from the seated position by the set amount. If no error occurs, the positions reached in step 2) and step 4) are saved as the upper-stop position and the lower-stop position, respectively.
1: Lower seal spring + Stroke specified	1) The stem goes up toward the upper-end side by the specified stroke length. (Auto-setup is interrupted if the valve contacts the seat surface before reaching the specified stroke length.) 2) The output stem goes down until the valve contacts the seat surface. (Auto-setup is interrupted if the valve reaches the lower-end before it contacts the seat surface.) 3) The stem further compresses the seal spring downward from the seated position by the set amount. If no error occurs, the positions reached in step 2) - specified stroke distance and step 4) are saved as the upper-stop position and the lower-stop position, respectively. Note: If the specified stroke distance cannot be secured, the positions reached in step 1) and step 3) are saved as the upper-stop position and the lower-stop position, respectively.
2: Upper seal spring	1) The stem goes down until the valve contacts the seat surface or reaches the lower-end. 2) The output stem goes up until the valve contacts the seat surface. (Auto-setup is interrupted if the valve reaches the upper-end before it contacts the seat surface.) 3) The stem further compresses the seal spring upward from the seated position by the set amount. If no error occurs, the positions reached in step 2) and step 4) are saved as the lower-stop position and the upper-stop position, respectively.



AUTO-SETUP TYPE	STEPS OF AUTO-SETUP
3: Upper seal spring + Stroke specified	1) The stem goes down toward the lower-end side by the specified stroke length. (Auto-setup is interrupted if the valve contacts the seat surface before reaching the specified stroke length.) 2) The output stem goes up until the valve contacts the seat surface. (Auto-setup is interrupted if the valve reaches the upper-end before it contacts the seat surface.) 3) The stem further compresses the seal spring upward from the seated position by the set amount. If no error occurs, the positions reached in step 2) and step 4) are saved as the lower-stop position and the upper-stop position, respectively. Note: If the specified stroke distance cannot be secured, the positions reached in step 1) and step 3) are saved as the lower-stop position and the upper-stop position, respectively.
4: Lower & Upper seal springs	1) The output stem goes up until the valve contacts the seat surface. (Auto-setup is interrupted if the valve reaches the upper-end before it contacts the seat surface.) 2) The stem further compresses the seal spring upward from the seated position by the set amount. 3) The output stem goes down until the valve contacts the seat surface. (Auto-setup is interrupted if the valve reaches the lower-end before it contacts the seat surface.) 4) The stem further compresses the seal spring downward from the seated position by the set amount. If no error occurs, the positions reached in step 3) and step 5) are saved as the upper-stop position and the lower-stop position, respectively.

#### ■ AUTO-SETUP OPERATION DESCRIPTION

- Turn SW-8 to ON to switch from Automatic Operation mode to Manual Operation mode.  
 (If SW-8 is kept OFF, control by input signal takes priority over Manual operation.  
 Turn ON to enable the Auto-setup by Manual operation.)
- Press UP/CCW / DOWN/CW button slightly to move the output stem upward/downward.  
 Stop pressing the button to stop the output stem at the position.  
 Press the button to move the output stem approx. 2 mm in the middle direction from upper/lower-end side (The moving distance is no problem with approximate).
- Turn SW-7 ON and OFF to move to Auto-setup mode. The PSP starts determining the stop position with following procedure automatically.  
 Check the output stem visually as well.

E.g. The valve closes on downward.

- 1) The output stem automatically moves downward and stops on the valve seat surface.
  - 2) The output stem automatically moves upward and stops at the position of initial setting.
  - 3) Contracts 0.1 mm from seat surface of valve seal surface (contraction can be changed by the PC configurator software).
  - 4) Recognizes the total distance of downward seat position (include contraction) and initial position of upper-end as 100%, and completes Auto-setup.
  - 5) Turn SW-8 to OFF to switch to Automatic Operation mode. The output stem moves to the position of the signal, if the input signal is applied. DO NOT touch the output stem and around to not to stuff your fingers and hands.
- Contraction is set to “0.1 mm” for initial.  
 This can be changed by the PC configurator software or PU-2x with the range of 0.1 to 1.0 mm by 0.1 mm.
  - Full-closed position can be adjusted by the UP/CCW / DOWN/CW button (operation distance fine adjustment).  
 Use to re-adjust the closing position by moving the output stem downward from Auto- setup position to stop leaking.

Turn SW-8 from OFF to ON to enable manual operation (If SW-8 is kept OFF, control by input signal takes priority over Manual operation).

Adjust the position of the output stem by UP/CCW / DOWN/CW button.

Perform the following procedure after position adjustment.

<After completion of lower-end position adjustment>

Turn SW1-5 OFF -> ON -> OFF to set upper-end position newly.

<After completion of upper-end position adjustment>

Turn SW1-6 OFF -> ON -> OFF to set lower-end position newly.

## PC CONFIGURATOR SOFTWARE (MODEL: STCFG)

The PC configurator software helps the user to configure various parameters, execute Auto-setup, and to monitor operation status of the actuator.

Download the STCFG from “Download” on our web site

Prepare the PC and the USB Type-C cable separately.

For details, refer to STCFG users manual.

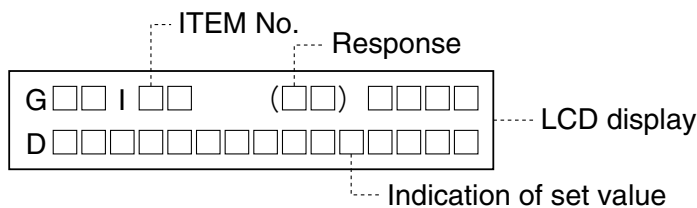
## PROGRAMMING UNIT (MODEL: PU-2x)

The Programming Unit (model: PU-2x) helps the user to configure various parameters, execute Auto-setup, and to monitor operation status of the actuator.

Turn SW1-8 ON to enable configuration and Auto-setup execution on PU-2x.

Monitoring can be conducted regardless of whether SW1-8 is ON or OFF.

### ■ DISPLAY OF PU-2x



### ■ HOW TO USE PU-2x

- 1) Turn SW1-8 ON to enable configuration or Auto-setup execution.
- 2) Connect the connection cable of PU-2x to the modular jack on the actuator unit.  
The display of PU-2x comes on by power supplied to the actuator unit.
- 3) To display a target item, press [ITEM], then [N], [N] ([N] represents numerical number 0 to 9).  
Alternatively, use [UP] or [DOWN] button to shift to the next item from the currently displayed item.
- 4) To change the setting value of the target item being displayed, press [DATA], enter a value, and press [ENTER].  
Enter an integer or a value with two decimal place depending on the item.  
When setting a tag, alphabetic characters can be used.
- 5) Confirm that 'OK' is displayed.  
If the entered value is invalid or SW1-8 is OFF, 'DATA-ERR' will be displayed.
- 6) When configuration or Auto-setup is completed, remove the connect cable of PU-2x from the actuator unit, and turn SW1-8 OFF.

### ■ RESPONSE MESSAGES

OK : OK  
 NON-ITEM : Item is not applicable  
 DATA-ERR : Value is invalid or out of range

### ■ PARAMETER ITEM LIST

Refer to “PARAMETER ITEMS COMMON TO MODBUS, CONFIGURATOR SOFTWARE AND PU-2x” for the parameter item list.

## MODBUS COMMUNICATION

Modbus communication allows execution of Auto-setup and monitoring of the operation status of the actuator in the same manner as the programming unit (model: PU-2x) and the PC configurator software. Position set point can be input via Modbus instead of analog signal.

### MODBUS COMMUNICATION SPECIFICATION

This unit supports Modbus-RTU protocol.

ITEM	SETTING RANGE	EX-FACTORY SETTING
Node address	1 to 247	1
Baud rate	38400, 19200, 9600, 4800 bps	38400 bps
Parity	None, Odd, Even	None
Stop bit	1, 2	1

### MODBUS COMMANDS

FUNCTION	COMMAND	DESCRIPTION
03	Read Holding Registers	Reads the value(s) of a single or multiple holding registers.
04	Read Input Registers	Reads the value(s) of a single or multiple input registers.
06	Preset Single Register	Presets a value in a single holding register.
16	Preset Multiple Registers	Presets values in respective multiple holding registers.

It is recommended to set timeout for response to 0.5 sec. or longer.

'0' is returned when an address to which no register is assigned is read.

An exception response is returned when attempting to write to an address which is not writable.

Even if the address is writable, make sure to set [Modbus Operation mode (address 111)] in advance to enable writing.

### ADDRESS MAP

Refer to "PARAMETER ITEMS COMMON TO MODBUS, CONFIGURATOR SOFTWARE AND PU-2x" for Modbus address map.

### DATA VALUE

When [Value Range] of the data is specified as numbers with one digit after the decimal point, the data is multiplied by 10 and handled as an integer. That is, '25.8' is handled as '258', for example.

When the data is specified as numbers with two digit after the decimal point, the data is multiplied by 100 and handled as an integer.

When the Data type is 'I16', data is an integer between -32768 to 32767, and when the Data type is 'I32', data is a long 32-bit integer between -2147483648 to 214783647.

Long data is in little endian format.

### POSITION SETPOINT INPUT VIA MODBUS

The position setpoint can be input via Modbus communication by the following procedure.

- 1) Set [Input mode (Modbus=address 124, PU-2x= ITEM 63)] as 'Modbus input'.
- 2) Write a position setpoint value (e.g. '700' for 70.0 %) to Address 101.
- 3) Write '1' to Address 111 to enable Modbus input, thereby moving the output stem toward the setpoint.

Note)

- When a motor deadlock error occurs, '1' or '2' is set in Address 46.  
Write '1' to Address 51 or turn SW-8 ON to clear the error.
- When [Modbus disconnection detection time (Modbus=address 127, PU-2x= ITEM 36)] is set, a Modbus disconnection error is detected when a Modbus command is not issued for the set time period, thereby causing the output stem to stop, extend (move downward), or retract (move upward) according to the settings of DIP switches 1-1 and 1-2 of the unit.
- Refer also to "COMBINATION OF OPERATION MODE AND SPECIFICATIONS".

# PARAMETER ITEMS COMMON TO MODBUS, CONFIGURATOR SOFTWARE AND PU-2x

## 1.1. Note for parameter items

ITEM	DESCRIPTION
MODBUS TYPE	I16=Integer type data, I32=Long type data (little endian)
VALUE RANGE	Value with two decimal place is multiplied by 100 and handled as an integer. Value is used as is with one decimal place on PU-2x.
PU-2x DISPLAY	x represents a number.
R/W	R= Read only R/W=Read and Write
SAVE	Setting is saved for the item with '✓' in the [Save] column.
CFG	Configurable, monitorable items by the PC configurator software.

## 1.2. Device information

MODBUS		ITEM	VALUE RANGE	INITIAL VALUE	PU-2x		R/W	SAVE	CFG
ADDRESS	TYPE				ITEM	DISPLAY			
1	HEX	PSP20 unit ID	0x5141	–	01	Model:x	R	–	✓
2	I16	Firmware: Major version	0 to 9	–	02	Ver:x.y.z	R	–	✓
3	I16	Firmware: Minor version	0 to 99						
4	I16	Firmware: Revision	0 to 99						
5 to 16	I16 x 12	Tag setting · ASCII code (0x20 to 0x7E) · Stored in order from the head address · On PU-2x, enter characters as needed and the rest, if any, is entered as space.	ASCII code (0x20 to 0x7E) x 12 characters	blank (0x20)	03	Tg.xxxx...xx	R/W	✓	✓
17	I16	Analog input (%)	-25.0 to 125.0	–	04	Inp:x	R	–	✓
18	I16	Position setpoint (%) *1	-5.0 to 105.0	–	05	Tar:x	R	–	–
19	I16	Position (%) *1	-5.0 to 105.0	–	06	Pos:x	R	–	✓

\*1 The ratio to the operation distance (i.e. a distance between the lower-stop position and the upper-stop position).

## 1.3. Diagnostics

MODBUS		ITEM	VALUE RANGE	INITIAL VALUE	PU-2x		R/W	SAVE	CFG
ADDRESS	TYPE				ITEM	DISPLAY			
21	I32	Total power-on time (hour)	0 to 596523	0	07	PowTm:x	R	–	✓
23	I32	Total operation time (hour)	0 to 596523	0	08	MovTm:x	R	–	✓
25	I32	Total operation distance (1 count per operation distance *2)	0 to 99999999	0	09	Dist:x	R	–	✓
27	I32	No. of times of motor start actions	0 to 99999999	0	10	Strt:x	R	–	✓
29	I32	No. of times of motor reverse actions	0 to 99999999	0	11	Rvrs:x	R	–	✓
31	I32	No. of times of motor restart	0 to 99999999	0	12	Rtry:x	R	–	✓
33	I32	No. of times when the duty cycle per minute exceeded 50%	0 to 99999999	0	13	Over:x	R	–	✓
35	I16	Duty cycle (%) per minute	0.0 to 100.0	0.0	14	Duty:x	R	–	–
36	I16	Time ratio (%) of - 10% position *3	0.0 to 100.0	0.0	15	Pos0R:x	R	–	✓
37	I16	Time ratio (%) of 10 - 20% position *3	0.0 to 100.0	0.0	16	Pos10R:x	R	–	✓
38	I16	Time ratio (%) of 20 - 30% position *3	0.0 to 100.0	0.0	17	Pos20R:x	R	–	✓
39	I16	Time ratio (%) of 30 - 40% position *3	0.0 to 100.0	0.0	18	Pos30R:x	R	–	✓
40	I16	Time ratio (%) of 40 - 50% position *3	0.0 to 100.0	0.0	19	Pos40R:x	R	–	✓
41	I16	Time ratio (%) of 50 - 60% position *3	0.0 to 100.0	0.0	20	Pos50R:x	R	–	✓
42	I16	Time ratio (%) of 60 - 70% position *3	0.0 to 100.0	0.0	21	Pos60R:x	R	–	✓

MODBUS		ITEM	VALUE RANGE	INITIAL VALUE	PU-2x		R/W	SAVE	CFG
ADDRESS	TYPE				ITEM	DISPLAY			
43	I16	Time ratio (%) of 70 - 80% position *3	0.0 to 100.0	0.0	22	Pos70R:x	R	-	✓
44	I16	Time ratio (%) of 80 - 90% position *3	0.0 to 100.0	0.0	23	Pos80R:x	R	-	✓
45	I16	Time ratio (%) of 90% - position *3	0.0 to 100.0	0.0	24	Pos90R:x	R	-	✓
46	I16	Motor deadlock error 0: Normal 1: Locked when moving upward 2: Locked when moving downward	0 to 2	-	25	Lock:x	R	-	-

\*2 The operation distance is a distance between the lower-stop position and the upper-stop position.

\*3 The time ratio in percentage to the total operation time.

## 1.4. Clear diagnostics

MODBUS		ITEM	VALUE RANGE	INITIAL VALUE	PU-2x		R/W	SAVE	CFG
ADDRESS	TYPE				ITEM	DISPLAY			
51	I16	Clear motor dead lock error 1: Clear	0, 1	0	26	LockRelease:x	R/W	-	-
52	I16	Time ratio (%) of respective % positions 1: Clear	0, 1	0	27	PosRClr:x	R/W	-	✓

## 1.5. Modbus input

MODBUS		ITEM	VALUE RANGE	INITIAL VALUE	PU-2x		R/W	SAVE	CFG
ADDRESS	TYPE				ITEM	DISPLAY			
101	I16	Modbus position setpoint input (%)	-5.0 to 105.0	0	-	-	R/W	-	✓

## 1.6. Modbus operation mode

MODBUS		ITEM	VALUE RANGE	INITIAL VALUE	PU-2x		R/W	SAVE	CFG
ADDRESS	TYPE				ITEM	DISPLAY			
111	I16	Modbus operation mode (Forcibly returned to '0' when SW1-8=ON) 0: Monitor mode 1: Modbus input mode 2: Configuration mode	0 to 2	0	-	-	R/W	-	-
<p>[0: Monitor mode]</p> <ul style="list-style-type: none"> <li>· R/W registers of addresses up to 111 are readable and writable.</li> <li>· Registers other than the above are read only.</li> </ul> <p>-----</p> <p>[1: Modbus input mode]</p> <ul style="list-style-type: none"> <li>· R/W registers of addresses up to 111 are readable and writable.</li> <li>· Registers other than the above are read only.</li> <li>· When [Input mode= Modbus input], the actuator operates according to [Modbus position setpoint input].</li> </ul> <p>-----</p> <p>[2: Configuration mode]</p> <ul style="list-style-type: none"> <li>· All R/W registers are readable and writable.</li> <li>· Registers other than the above are read only.</li> <li>· Operation stops (Actuator operates when a command for starting Auto-setup is entered via Modbus.)</li> </ul>									

## 1.7. Modbus setting

MODBUS		ITEM	VALUE RANGE	STANDARD EX-FACTORY	PU-2x		R/W	SAVE	CFG
ADDRESS	TYPE				ITEM	DISPLAY			
121	I16	Input Select 0: Analog input 1: Modbus input	0, 1	0	30	InputSel:x	R/W	✓	✓
122	I16	Node address	1 to 247	1	31	Addr:x	R/W	✓	✓
123	I16	Baud rate 0: 38400 bps 1: 19200 bps 2: 9600 bps 3: 4800 bps	0 to 3	3	32	Baud:x	R/W	✓	✓
124	I16	Parity 0: None 1: Odd 2: Even	0 to 2	0	33	Parity:x	R/W	✓	✓
125	I16	Stop bit length	1, 2	1	34	Stopbit:x	R/W	✓	✓
126	I16	Incorporated terminating resistor 0: OFF 1: ON	0, 1	0	35	Term:x	R/W	✓	✓
127	I16	Loss of Modbus communication detection time (sec.)	0 to 300	0	36	Timeout:x	R/W	✓	✓

### ■ Description of Modbus setting

- Input select  
Set whether analog input or position output command via Modbus communication
- Loss of Modbus communication detection time  
0: None  
1 to 300: Judges loss of communication when Modbus commands are not received for a set period of time or longer.  
If a loss of communication occurs during operation with Modbus input, the output stem moves according to the settings of SW1-1 and 2.

## 1.8. Basic setting

MODBUS		ITEM	VALUE RANGE	STANDARD EX-FACTORY	PU-2x		R/W	SAVE	
ADDRESS	TYPE				ITEM	DISPLAY			
131	I16	Upper-stop position %	0.00 to 60.00 (< lower-stop position)	0.00	40	UppMM:x	R/W	✓	✓
132	I16	Lower-stop position %	0.00 to 60.00 (> upper-stop position)	60.00	41	LowMM:x	R/W	✓	✓
133	I16	Deadband %	0.1 to 0.5	0.1	42	DBand:x	R/W	✓	✓
134	I16	Restart limiting timer	0.1 to 5.0	0.1	43	Restart:x	R/W	✓	✓
135	I16	Retract/UP signal position %	75.0 to 100.0	98.0	44	UpSig:x	R/W	✓	✓
136	I16	Extend/DOWN signal position %	0.0 to 25.0	2.0	45	LowSig:x	R/W	✓	✓
137	I16	Operation speed	1 to 3	–	46	Speed:x	R/W	✓	✓

### ■ Description about basic setting

- Upper/lower-stop position  
Set the output stem position at 100%/0% input.
- Deadband  
Set the deadband width with the stroke at the set upper/lower-stop position as 100%.
- Restart limiting timer  
To prevent the overheat of the motor, set an interval to restart when the motor stops on the deadband.  
Using in a high-temperature atmosphere, set a longer restart limiting timer.
- Retract/UP / Extend/DOWN signal position  
Set the threshold at which the retract/UP / extend/DOWN signal is turned ON with the stroke at the set upper/lower-stop position as 100%.
- Operation speed  
Set the operation speed on a scale of 1 to 3. The higher the number, the faster the speed.  
Operation speed at the shipment is set as following by the code.

CODE "[1] OPERATION TIME, THRUST, THRUST AT LOCK"	OPERATION SPEED AT SHIPMENT
A	3
B	2
C	1
D	3
E	2
F	1

## 1.9. Setting/executing Auto-setup

MODBUS		ITEM	VALUE RANGE	STANDARD EX-FACTORY	PU-2x		R/W	SAVE	CFG
ADDRESS	TYPE				ITEM	DISPLAY			
141	I16	Auto-setup type 0: Lower seal spring 1: Lower seal spring & Stroke specified 2: Upper seal spring 3: Upper seal spring & Stroke specified 4: Lower & Upper seal springs	0 to 4	0	50	ASType:x	R/W	✓	✓
142	I16	Lower seal spring contraction amount (mm)	0.1 to 1.0	0.1	51	ASPushDn:x	R/W	✓	✓
143	I16	Upper seal spring contraction amount (mm)	0.1 to 1.0	0.1	52	ASPushUp:x	R/W	✓	✓
144	I16	Specified stroke (mm)	5.0 to 60.0	60.0	53	ASStroke:x	R/W	✓	✓
145	I16	Execute Auto-setup 1: Start 2: Abort / Clear error	0 to 2	0	54	ASStart:x	R/W	–	✓
146	I16	Auto-setup history 1: Upper-stop position %	0.00 to 40.00	0.00	55	AS1Upp:x	R	–	–
147	I16	Auto-setup history 2: Lower-stop position %	0.00 to 40.00	0.00	56	AS1Low:x	R	–	–
148	I16	Auto-setup history 3: Upper-stop position %	0.00 to 40.00	0.00	57	AS2Upp:x	R	–	–
149	I16	Auto-setup history 4: Lower-stop position %	0.00 to 40.00	0.00	58	AS2Low:x	R	–	–

## COMBINATION OF OPERATION MODE AND SPECIFICATIONS

OPERATION MODE			OPERATION SPECIFICATIONS						
Manual operation	Input mode (*1)	Modbus operation mode (*3)	Output stem operation	SW1-5, 6	SW1-7	PU-2x		Modbus	
				Retract (UP) / Extend (DOWN)	Auto-setup	Read data /Clear data command	Setting change / Auto-setup	Read data /Clear data command (*7)	Setting change / Auto-setup
OFF	Analog input	Monitor mode	Follows analog input (*5)	–	–	✓	–	✓	–
		Modbus input mode	Stops	–	–	✓	–	✓	–
		Configuration mode	Stops	–	–	✓	–	✓	✓
	Modbus input	Monitor mode	Stops	–	–	✓	–	✓	–
		Modbus input mode	Follows Modbus input (Address 101) (*6)	–	–	✓	–	✓	–
		Configuration mode	Stops	–	–	✓	–	✓	✓
ON	N/A (*2)	Monitor mode (*4)	Moves by button operation	✓	✓	✓	✓	✓	–

\*1 Configurable on PU-2x (ITEM 30) or via Modbus (Address 121).

\*2 No difference between 'Analog input and 'Modbus input'.

\*3 The mode is switched via Modbus (address 111).

\*4 Turn SW1-8 ON to forcibly switch the Modbus input mode to Monitor mode.

\*5 The output stem operates according to the settings of SW1-1 and 1-2 when abnormally low input is detected.

\*6 The output stem operates according to the settings of SW1-1 and 1-2 when a Modbus disconnection error is detected.

\*7 Includes writing to Modbus address 5 to 16, 51, 52, 101, and 111.



## MAINTENANCE

For effective use and longer life of the Mini-Top electronic actuator, regular checking appropriate for its operating conditions are recommended. Refer to the following table.

ITEM	CHECKING POINT	HOW TO PROCEED
Stem operation	Apply input 0%, 50%, 100%, then back to 50%, 0%. Check that the actuator operates to the correct positions at respective input values.	Repair or calibrate the unit.
Abnormal sound	No abnormal sound is heard during operation.	Repair or calibrate the unit.
Water or rust inside the housing	Check that there is no water or rust inside the housing. If there is water inside, check the packing and the wiring cable connector is not loose.	Remove water and dry the housing and the parts inside. Replace rusted parts, if any. Replace the packing, if damaged. Re-tighten cable connector, if loose.
Screws	Check that screws and bolts are securely fastened.	Re-tighten them, if loose.

For repair or parts replacement, contact us or our representatives.

### ■ LUBRICATION

There is no need of oiling the Step-Top electronic actuator in normal operating conditions.

### ■ REGULAR TEST RUNNING

If the valve is not frequently operated, run a test operation regularly (once a week, for example) to ensure that the actuator operates normally.

## TROUBLESHOOTING

TROUBLE	LED				POSSIBLE CAUSE	HOW TO PROCEED
	POWER	INPUT	COM	ALARM		
Actuator does not work (Analog input)	OFF	–	–	–	Power failure Cable breakage	Check the power supply and cables.
	ON	OFF	–	–	Input error	Check the input signal level.
	ON	ON	–	–	Mode is set to Manual operation or Modbus input mode.	Check the operation mode.
	ON	ON	–	ON	Motor deadlock error	Apply input in reverse direction.
Actuator does not work (Modbus input)	ON	–	OFF		Modbus communication is not established.	Check the communication cable. Check the Node address. Check the baud rate.
	ON	–	Blinks		Mode is set to Manual operation or Analog input mode.	Check the operation mode.
	ON	–		ON	Motor deadlock error	Clear error via Modbus.
Unstable operation	–	–	–	–	Abnormal power voltage, Noise	Check power voltage and noise in input signal.

## LIGHTNING SURGE PROTECTION

We offer a series of lightning surge protectors for protection against induced lightning surges. Please consult us to choose appropriate models.