

<p>PC RECORDER (universal input, 12 points; isolated)</p>	<p>MODEL RZMS-U9</p>
--	-----------------------------

BEFORE USE

Thank you for choosing us. Before use, please check contents of the package you received as outlined below. If you have any problems or questions with the product, please contact our sales office or representatives.

This product is for use in general industrial environments, therefore may not be suitable for applications which require higher level of safety (e.g. safety or accident prevention systems) or of reliability (e.g. vehicle control or combustion control systems).

For safety, installation and maintenance of this product must be conducted by qualified personnel.

■ PACKAGE INCLUDES:

- PC Recorder.....(1)
- Cable (9-pin D-sub cable, straight type).....(1)
- CD (software and users manual).....(1)

■ MODEL NO.

Confirm Model No. marking on the product to be exactly what you ordered.

■ INSTRUCTION MANUAL

This manual describes necessary points of caution when you use this product, including installation, connection and basic maintenance procedures. Read also the Users Manual for the software included in the CD for maximum use of the PC Recorder.

The RZMS is programmable using the PC configurator software. For detailed information on the PC configuration, refer to the RZMSCFG instruction manual. The RZMSCFG PC Configurator Software is downloadable at our web site.

POINTS OF CAUTION

■ CONFORMITY WITH EU DIRECTIVES

- This equipment is suitable for Pollution Degree 2 and Installation Category II (transient voltage 2500V). Reinforced insulation (power input to input or output: 300V) is maintained. Prior to installation, check that the insulation class of this unit satisfies the system requirements.
- Altitude up to 2000 meters.
- The equipment must be mounted inside a panel.
- Insert noise filters. Okaya Electric Industries Model SUP-E1H or equivalent for the power source connected to the unit, and TDK Model ZCAT 3035-1330 or equivalent for the RS-232-C cable are recommended.
- The equipment must be installed such that appropriate clearance and creepage distances are maintained to conform to CE requirements. Failure to observe these requirements may invalidate the CE conformance.

- The actual installation environments such as panel configurations, connected devices, connected wires, may affect the protection level of this unit when it is integrated in a panel system. The user may have to review the CE requirements in regard to the whole system and employ additional protective measures* to ensure the CE conformity.

* For example, installation of noise filters and clamp filters for the power source, input and output connected to the unit, etc.

- Install lightning surge protectors for those wires connected to remote locations.

■ POWER INPUT RATING & OPERATIONAL RANGE

- Locate the power input rating marked on the product and confirm its operational range as indicated below:

100 – 240V AC rating: 85 – 264V, 47 – 66 Hz, approx. 5VA
24V DC rating: 24V ±10%, approx. 1.2W

■ GENERAL PRECAUTIONS

- Before you remove the module, turn off the power supply and input signal for safety.

■ PC RECORDER SOFTWARE

- Use the latest version of PC Recorder Software included in the product package.

■ ENVIRONMENT

- Indoor use.
- When heavy dust or metal particles are present in the air, install the module inside proper housing with sufficient ventilation.
- Do not install the module where it is subjected to continuous vibration. Do not subject the unit to physical impact.
- Environmental temperature must be within -5 to +60°C (23 to 140°F) with relative humidity within 30 to 90% RH in order to ensure adequate life span and operation.
- Be sure that the ventilation slits are not covered with cables, etc.

■ GROUNDING

- In order to protect the RZMS module and connected devices in connecting/disconnecting Modbus cable or the configurator cable, be sure to earth FG terminals of the RZMS and the connected device to a most stable earth point in the environment. Grounding is also effective to eliminate problems caused by noises.

■ WIRING

- Wrong connection may damage the module.
- Do not connect cables to moving parts or pull them tightly.

■ MINIMIZING NOISE INTERFERENCE TO ANALOG SIGNAL CABLES

- Noise entering through the analog signal cables may cause irregular measurement values, degradation of overall accuracy, and malfunction of the product.
- Despite the RZMS's excellent filtering capabilities against normal mode noise interference to analog signal cables, we recommend that you would conduct wiring to the product with the following points of caution, especially for low-level signals with thermocouple, mV and RTD measurements.

- Use shielded twisted-pair cables to connect analog signals and Modbus RS-485. The shield line must be grounded to the one and same earth point which is the most stable in the environment, as for the RZMS's FG terminal.
- The RZMS is capable of notch filtering the 50/60 Hz normal mode line noise. Select the operating mode setting switch at the rear side of the product or use the PC Configurator Software RZMSCFG to match the line frequency.
- The RZMS is equipped with the first order lag filter programmable by each channel. Furthermore, you can set the moving average filter programmable by each channel on the MSR128LS and MSR128LV software programs. Use these filtering functions according to your needs. Use the PC Configurator Software RZMSCFG to enable the first order lag filter.
- The A/D Conversion Mode is factory set to 'Medium' but is programmable to 'Slow' using the PC Configurator Software RZMSCFG. In general, selecting the 'Slow' A/D conversion mode means the lower data conversion cycles, but the stronger noise filtering. Change this setting according to your needs.
- Do not install cables close to noise sources (relay drive cable, high frequency line, etc.).
- Do not bind these cables together with those in which noises are present. Do not install them in the same duct.

■ MINIMIZING CHANNEL-TO-CHANNEL COMMON MODE NOISE

- The CMNR ratio between channels are as described in the product's data sheet. Input types such as $\pm 12V$, $\pm 6V$, $\pm 3V$, $\pm 1000mV$ are mostly safe from these interferences, however, the measuring accuracies for other input types may be compromised by large common mode noise.
- As described in the data sheet, the DC/AC voltage across the C terminals of the presently-scanned channel and the last scanned channel affects the measuring values. For example, if you measure 60 Hz, 100Vrms between ch.12 and ch.1 while ch.1 is connected to a thermocouple, ch.1 measuring value could have errors by 707 μV (141 Vpeak, -106 dB).
- In order to obtain stable measuring results without noise interference, it is effective to minimize the common mode noise between channels and between each channel to FG. We recommend that C terminals of each channel be cross-wired and then connected to the FG terminal to ensure the measurement of the highest accuracy.
- If such configuration is not possible, take special consideration to minimize the channel-to-channel common mode noise and the potential against the FG. Employ a thermocouple/RTD sheath of high insulation to prevent a leak current. Do not weld a thermocouple directly to the surface of the measuring subject.
- If these precautions are not usable, we recommend the use of model R1MS-GH3, fully channel-to-channel isolated type.
- Arranging channels so that a low-level signal channel is not located next to a high potential signal channel while multiplexing these signals is also effective.
- The potential of the open terminal C against the FG equals to that of the last scanned channel. If ch 2 and ch 3 are not connected, the accuracy of ch 4 measurement is affected by potential difference between the C terminals of ch 1 and ch 4.

■ STABILIZING COLD JUNCTION COMPENSATION

- Sudden ambient temperature change could increase the cold junction compensation error by the internal terminal temperature sensor. Please take the following precautions to prevent it.
- Be sure to close the terminal cover when operating the RZMS.
- Stabilize the temperature around the terminal block. DO NOT expose the terminal block in the direct line of air flow from air conditioners, cooling fans, or ventilation fans. Switching on and off the fans located close to the terminal block affects the ambient temperature.
- Disposition of the terminals for odd-number channels is tend to be more favored in the CJC stability than those for even-number channels.
- Resistor modules (model: REM3-250) can be connected to the RZMS to convert current inputs into voltage. However, it is not recommended when TC inputs are mixed because the heat developed on and around the REM3 affects the cold junction compensation performance. We recommend that REM3 be connected on a separate terminal board.
- Do not use wires of large diameter which has large heat dissipation. We recommend using the wires of 0.5 mm² (AWG 20) or thinner diameters not only for the thermocouple channels but for all other screw terminals.
- Temperature measured at another channel of the RZMS can be specified as the reference point by using PC Configurator Software. This is beneficial to reduce compensation wires' cost when there are many temperature points in remote locations. Install a relaying terminal board near the sensors and use ordinary copper wires between the board and the RZMS, and assign one channel to measure temperature at the terminal board as the reference. Take the same precautions for the relaying terminal board, too. Also, RTD of higher accuracy is recommended to measure the relaying terminal temperature, though a thermocouple of lower accuracy could be used.

■ CONNECTING OTHER DEVICES IN PARALLEL

- Turn off the burnout function for thermocouple inputs.
- No parallel connection is permitted for RTD or potentiometer inputs.

■ TWO-WIRE RTD

- The product is designed for use with three-wire RTDs, measuring continuously the voltage drop caused by wire resistance. However, two-wire RTD can be used by closing across B and C terminals.
- After the RTDs are wired, short across the RTD wires and perform the wire resistance compensation by PC Configurator Software RZMSCFG. Be sure to enable the wire resistance compensation.

■ DO NOT APPLY OVERRANGE NORMAL MODE VOLTAGE

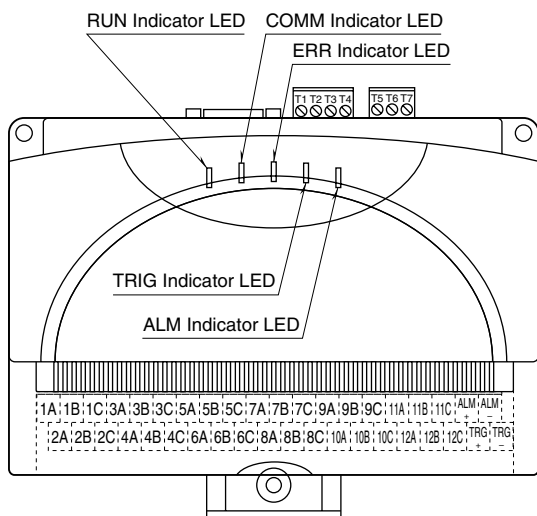
- Do not apply voltages exceeding $\pm 20V$ to terminals B – C for $\pm 3V$, $\pm 6V$ or $\pm 12V$ ranges to prevent damage.
- For other ranges, do not apply voltages exceeding $\pm 12V$ to the same terminals to prevent damage. Applying voltages exceeding $\pm 1.5V$ may affect the measuring accuracies of other channels.

■ AND

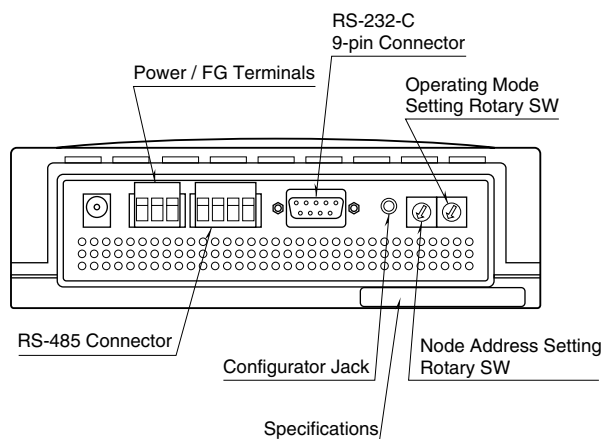
- The module is designed to function as soon as power is supplied, however, a warm up for 10 minutes is required for satisfying complete performance described in the data sheet.

COMPONENT IDENTIFICATION

TOP VIEW



REAR VIEW



INDICATOR LED

- RUN:** Green LED blinks when the internal micro-processor is operating normally.
- COMM:** Communication LED. Amber LED turns on when the RZMS is receiving normal data query frames from Modbus and sending responses out.
- ERR:** Error LED. Red LED turns on with internal errors and blinks when the RZMS is receiving abnormal data query frames from Modbus. ERR LED may also blink while the PC Recorder is not recording, however, it is not an abnormality or a failure of the RZMS as far as the LED turns off when the PC Recorder starts recording. (The RZMS blinks the ERR when it receives a break signal from certain types of PC designed to indicate an abnormality when application programs are not in use of one or more COM ports.)

- TRG:** Trigger LED. Amber LED turns on when the trigger contact input turns on.
- ALM:** Alarm LED. Amber LED turns on when the alarm contact output turns on.

NODE ADDRESS SETTING ROTARY SW

- 1 through F:** Setting at the power startup is recognized as the module's node address.
- 0:** Setting with PC Configurator Software is enabled. Software settings are deleted if the RZMS is started up with a setting other than zero (0).

OPERATING MODE SETTING ROTARY SW

A/D conversion mode, service channel numbers, cold junction compensation, line noise filter frequency and burnout action for T/C and RTD input can be specified using this switch.

Setting with PC Configurator Software is enabled when the switch is set to zero (0), except that the cold junction compensation can be enabled/disabled for individual channels on the PC Recorder Software programs: MSR128LS and MSR128LV. In order to protect the software setting before the power is turned off, be sure to turn the power supply on with '0' setting.

1 through F: Combination of settings as shown in the table below.

0: Last software setting before the power is turned off is enabled.

A/D CONVERSION MODE	SERVICE CHANNEL NUMBERS	COLD JUNCTION COMPENSATION (T/C)	LINE NOISE FILTER FREQUENCY	BURNOUT (T/C and RTD)			
				All Channels			Individual Channels
				NONE	UP	DOWN	
Medium	12	With	50/60 Hz	1	2	3	
			50 Hz	4	5	6	
			60 Hz	7	8	9	
		Without	50 Hz	A	B	C	
			60 Hz	D	E	F	
Software setting for all channels (Fast, Medium, Slow)	Software setting (12 or 6)	Software setting for individual channels	Software setting for all channels (50, 60, 50/60 Hz)				0 Software setting

Note 1: Specifying the exact frequency (50 Hz and 60 Hz) provides better protection than 50/60 Hz setting.

Note 2: Factory setting is '1'.

PC REQUIREMENTS (provided by the user)

Refer to the MSR PAC-2010 data sheet for the contents of the package and the requirements for the PC to be prepared by the user.

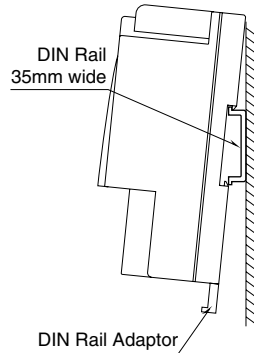
INSTALLATION

■ DIN RAIL MOUNTING

Set the body so that its DIN rail adaptor is at the bottom. Pull down the DIN rail adaptor.

Hang the upper hook at the rear side on the DIN rail and push in the lower. Push back the DIN rail adaptor.

When the module is mounted on a DIN rail attached on the wall surface in vertical direction, use of an attachment plate to prevent the module from sliding down is recommended.



■ WALL MOUNTING

Set the body so that its DIN rail adaptor is at the bottom.

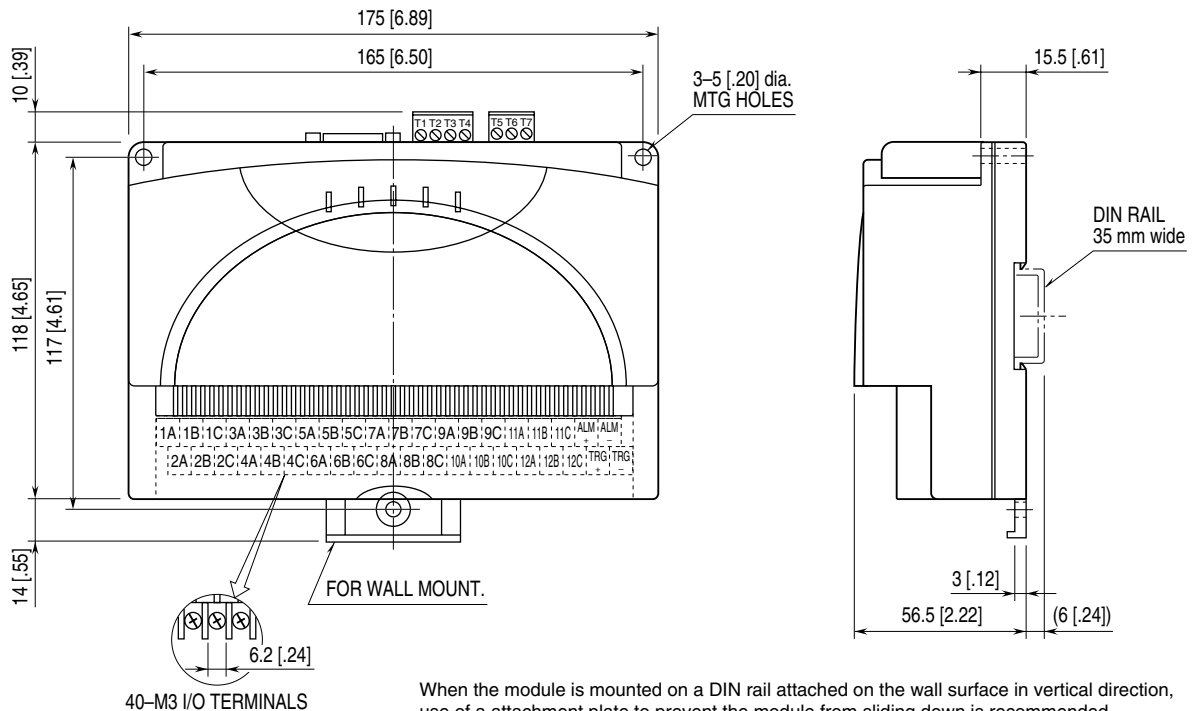
Pull down the DIN rail adaptor.

Refer to "EXTERNAL DIMENSIONS."

TERMINAL CONNECTIONS

Connect the unit as in the diagram below.

■ EXTERNAL DIMENSIONS unit: mm [inch]

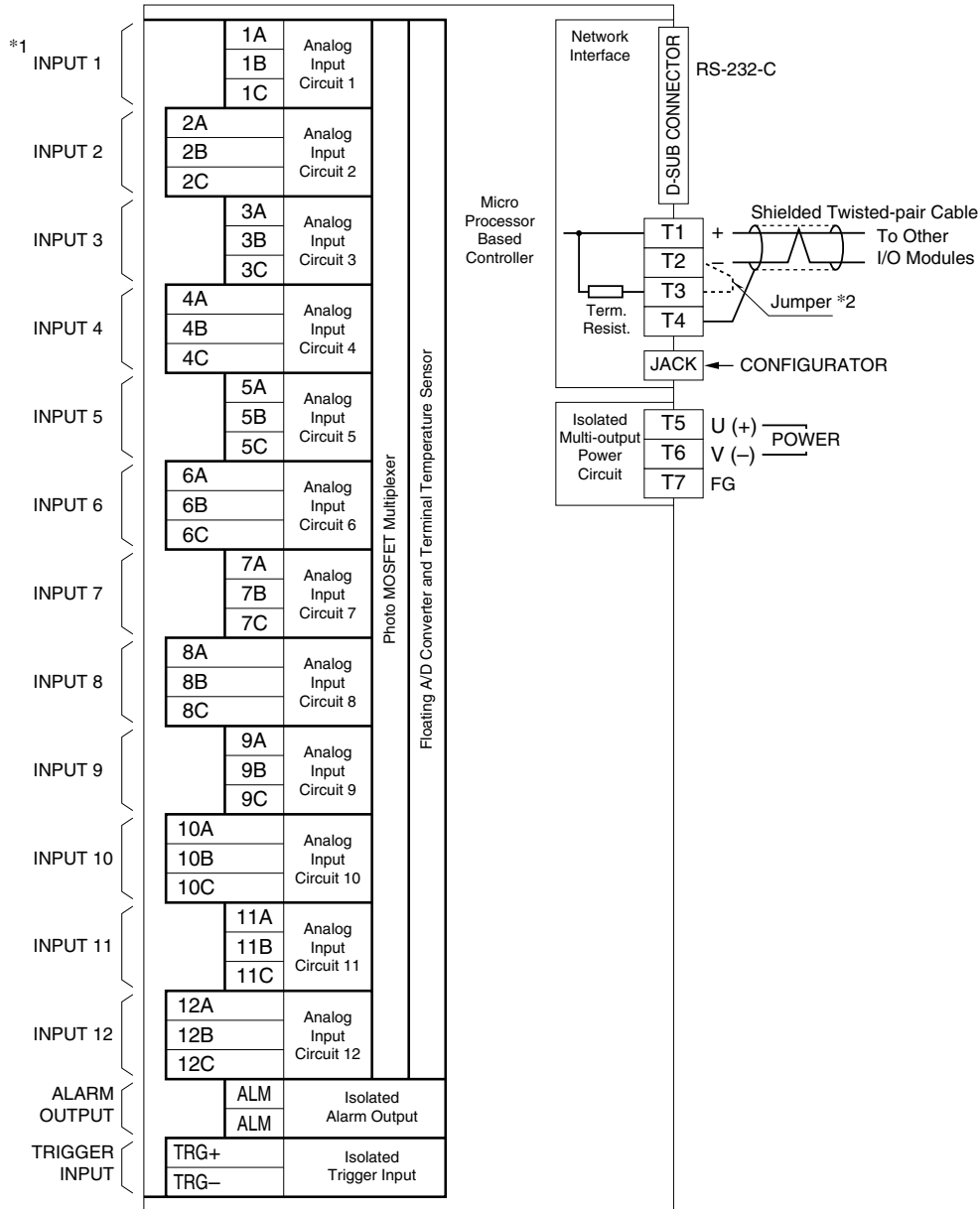


When the module is mounted on a DIN rail attached on the wall surface in vertical direction, use of an attachment plate to prevent the module from sliding down is recommended.

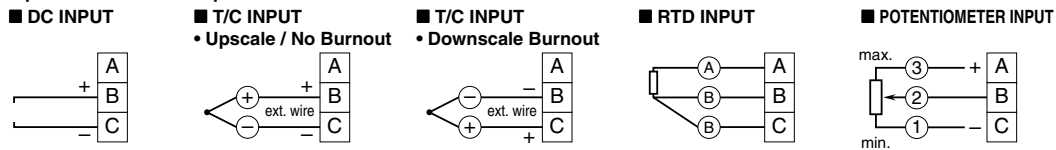
CONNECTION DIAGRAM

Note: In order to improve EMC performance, bond the FG terminal to ground.

Caution: FG terminal is NOT a protective conductor terminal.



***1 Input Connection Examples**



*2 When the device is located at the end of a transmission line via twisted-pair cable, (when there is no cross-wiring), close across the terminal T2 – T3 with the attached jumper pin (or with a leadwire).
When the device is not at the end, remove the jumper pin.

Note 1: In order to protect the RZMS-U9 module and connected devices in connecting/disconnecting Modbus cable or the configurator cable, be sure to earth FG terminals of the RZMS-U9 and the connected device to a most stable earth point in the environment. Grounding is also effective to eliminate problems caused by noises.

Note 2: Be careful to eliminate noise as much as possible by e.g. using shielded cables.

Note 3: The smaller is common mode voltage (DC and AC) between C terminals and between C and FG, the better is measuring accuracy. Connecting between C terminals and if possible to FG will yield the best accuracy.

Note 4: Resistor modules (model: REM3-250) can be connected to 1A through 12C terminals to convert current inputs into voltage. However, it is not recommended when TC inputs are mixed because the heat developed on and around the REM3 affects the cold junction compensation performance. We recommend that REM3 be connected on a separate terminal board.

Note 5: When the internal temperature sensors are used for CJC, temperature imbalance around the terminal block affects greatly the CJC accuracy. In order to minimize such imbalance, do not use wires of large diameter which has large heat dissipation. Be sure to close the terminal cover. Do not expose the module directly in the line of wind from a cooling fan.

Note 6: Two-wire RTD can be used by closing across B and C terminals. Be sure to compensate wire resistance by PC Configurator Software.

■ RS-232-C INTERFACE

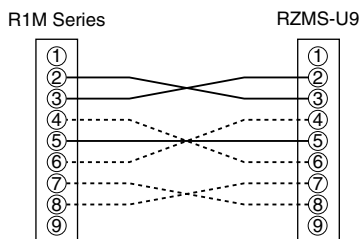


ABBR.	PIN NO.	EXPLANATION OF FUNCTION
BA (SD)	2	Transmitted Data
BB (RD)	3	Received Data
AB (SG)	5	Signal Common
CB (CS)	7	Clear to Send
CA (RS)	8	Request to Send
	1	Not Used.
	4	DO NOT connect. Connecting may cause malfunctions.
	6	
	9	

■ RS-232-C CABLE

- Use a 'Straight' cable to connect the module to a PC if not with the cable included in the product package.
 - For connecting the module to the R1M or the R2K-1 via RS-232-C, the RS-232-C cable must satisfy the following conditions:
 - (1) Includes the connections shown with solid lines in the figure below.
 - (2) Pins No. 8 are not connected between each other. (May cause breakdowns.)
- 'Interlink' or 'Reverse' cables are usually applicable.

• Pin Assignments



The above connection including solid and broken lines is an example of 'Interlink' cable.

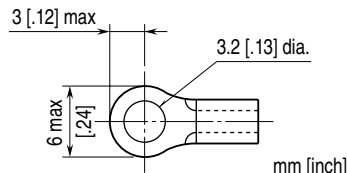
WIRING INSTRUCTIONS

■ M3 SCREW TERMINAL (Input signal, alarm output)

Torque: 0.6 N·m

■ SOLDERLESS TERMINAL

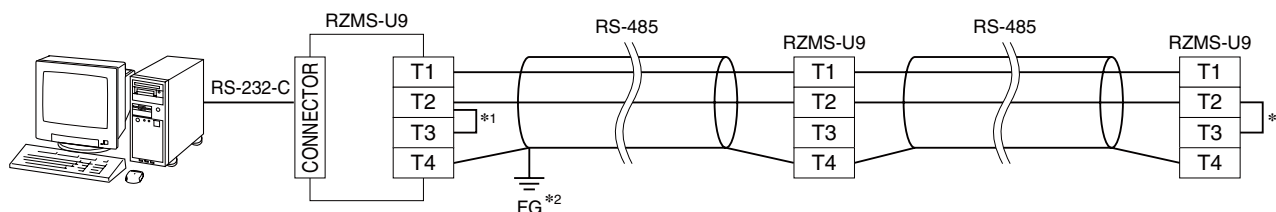
Refer to the drawing below for recommended ring tongue terminal size. Spade tongue type is also applicable.
 Applicable wire size: 0.75 to 1.25 mm² (AWG19 to 16)
 Recommended manufacturer: Japan Solderless Terminal MFG.Co.Ltd, Nichifu Co.,ltd



■ EURO TYPE CONNECTOR TERMINAL (Power input, Modbus)

Applicable wire size: 0.2 to 2.5 mm² (AWG24 to 12)
 Stripped length: 7 mm

COMMUNICATION CABLE CONNECTIONS



- *1. Internal terminating resistor is used when the device is at the end of a transmission line.
- *2. Install shielded cables to all sections and ground them at single point.

CHECKING

- 1) Terminal wiring: Check that all cables are correctly connected according to the connection diagram.
- 2) Power input: Check supply voltage.
- 3) Input: Check that the input is within 0 – 100% of full-scale.

ADJUSTMENT PROCEDURE

This unit is calibrated at the factory to meet the ordered specifications, therefore you usually do not need any calibration. However, PC Configurator Software RZMSCFG is available to trim zero and span if such needs arise in order to adjust the input sensor range.

For RTD measuring, wire resistance can be compensated on site using the RZMSCFG.

MAINTENANCE

Regular calibration procedure is explained below:

■ CALIBRATION

Warm up the unit for at least 10 minutes. Apply 0%, 25%, 50%, 75% and 100% input signal. Check that the output signal for the respective input signal remains within accuracy described in the data sheet. When the output is out of tolerance, please contact our sales office or representatives.