

TOTALIZED PULSE INPUT MODULE
(Pi 8 points, 32 Bits, tension clamp terminal block)MODEL **R3S-PA8****BEFORE USE**

Thank you for choosing us. Before use, please check contents of the package you received as outlined below.

If you have any problems or questions with the product, please contact our sales office or representatives.

■ PACKAGE INCLUDES:

Totalized pulse input module(1)

■ MODEL NO.

Confirm Model No. marking on the product to be exactly what you ordered.

■ INSTRUCTION MANUAL

This manual describes necessary points of caution when you use this product, including installation, connection and basic maintenance procedures.

POINTS OF CAUTION**■ HOT SWAPPABLE MODULES**

- Replacing the module does not affect other modules on the same base. Thus, the module can be replaced while the power is ON. However, replacing multiple modules at once may greatly change live voltage levels. We highly recommend to replace them one by one.

■ GENERAL PRECAUTIONS

- DO NOT set the switches on the module while the power is supplied. The switches are used only for maintenance without the power.

■ ENVIRONMENT

- Indoor use.
- When heavy dust or metal particles are present in the air, install the unit inside proper housing with sufficient ventilation.
- Do not install the unit where it is subjected to continuous vibration. Do not subject the unit to physical impact.
- Environmental temperature must be within -10 to +55°C (14 to 131°F) with relative humidity within 30 to 90% RH in order to ensure adequate life span and operation.

■ WIRING

- Do not install cables close to noise sources (relay drive cable, high frequency line, etc.).
- Do not bind these cables together with those in which noises are present. Do not install them in the same duct.

■ AND

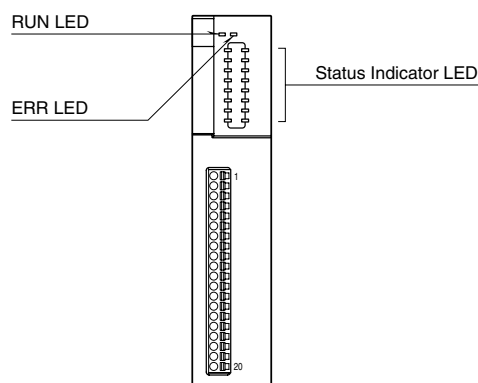
- The unit is designed to function as soon as power is supplied, however, a warm up for 10 minutes is required for satisfying complete performance described in the data sheet.

INSTALLATION

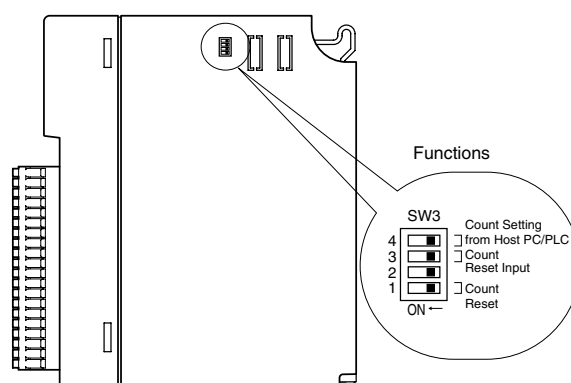
Use the Installation Base (model: R3-BSx).

COMPONENT IDENTIFICATION

FRONT VIEW



SIDE VIEW



Set the Count Reset SW to OFF to start counting.

STATUS INDICATOR LED

RUN indicator: Bi-color (red/green) LED;

- Red when the bus A operates normally;
- Green when the bus B operates normally;
- Amber when both buses operate normally.

ERR indicator: Bi-color (red/green) LED;

- Red with excitation abnormality;
- Green in normal operating conditions.

Input status indicator: Red LED;

- **1 to 8:** Turns on with the input ON.
- **9 to 16:** Unused
- **16:** Turns on with the reset input ON.

SIDE DIP SW

(*)Factory setting

- **Count Reset: SW3-1**

SW	COUNT RESET	
	NORMAL	COUNT RESET
SW3-1	OFF (*)	ON

Note: Be sure to turn OFF during use.

- **Count Reset Input: SW3-3**

SW	COUNT RESET INPUT	
	INVALID	VALID
SW3-3	OFF (*)	ON

- **Count Setting from Host PC/PLC: SW3-4**

SW	COUNT SETTING FROM HOST PC/PLC	
	COUNT RESET	COUNT PRESET
SW3-4	OFF (*)	ON

(For option /PRS, count preset is ON)

Note : Be sure to set unused SW3-2 to OFF.

PC CONFIGURATOR

The following parameters can be set with using PC Configurator Software (model: R3CON):

- Max. Pulse count: 10,000 to 2,147,483,647 (factory setting: 9,999,999)
- Count at overflow: 0 or 1 (factory setting: 0)
- Accumulated pulse count (Pulse counts are changeable by using the PC Configurator, refer to "Counter setting from host PC/ PLC" section hereafter.

COUNT RESET

There are three different ways to reset count value.

COUNT RESET WITH DIP SW

- 1) Remove Network Module or its cables and interrupt communication with other devices.
- 2) Turn ON the Count Reset SW (DIP SW3-1) on R3S-PA8 module.
- 3) Return the module to the base and turn the power supply on.
- 4) ERR LED turns on and the module starts resetting its counter. When the resetting is complete, the LED turns to green. DO NOT remove the power while the red LED is on.
- 5) After confirming that ERR LED is green, turn the power supply off.
- 6) Turn OFF the Count Reset SW (DIP SW3-1).
- 7) Return the Network module onto the base and turn the power supply on.

Note: Count Reset SW must be turned OFF after this procedure because the module does not start counting with ON state. Even when the count overflow set value is 1, the counter is reset to 0.

COUNT RESET WITH RESET SIGNAL

With the Count Reset Input SW (DIP SW3-3) turned ON, the count reset signal value becomes effective.

SW3-3 = OFF: invalid

SW3-3 = ON: valid

One pulse supplied at the Count reset input terminal will be recognized as a reset signal.

- 1) ERR LED turns on (red color) when the reset signal is received.
- 2) In 1 second, the module starts resetting its counter. When the resetting is complete, the LED turns to green.
- 3) After 1 second, ERR LED turns back to the state before the reset signal has been received.

Note: Reset signals received while the module is processing (1) through (3) are ignored. Even when the count overflow set value is 1, the counter is reset to 0.

COUNT RESET FROM HOST PC/PLC

Refer to "COUNTER SETTING FROM HOST PC/PLC" section hereafter.

COUNTER SETTING FROM HOST PC/PLC

■ COUNTER RESET

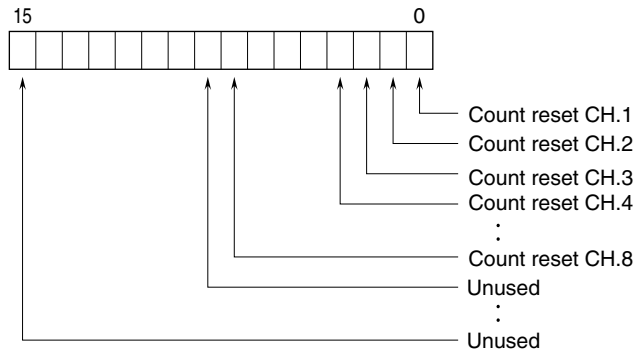
(Available for R3-NC1, R3-NC3, R3-NE1, R3-NMx, R3-NDx, R3-NFL1, R3-NP1, R3-NML3 (Firmware version 2.00 or later, R3-NM3: Firmware version V1.00 or later))

Setting SW3-4 OFF and turning power on enable the function.

The bits indicating the channels to reset counter are allocated in the first word from host PC/PLC.

When these bits are changed from 0 to 1, the counter is reset. When it is confirmed that the counter is reset, return to 0.

Notice that if the bit remains at 1, the next reset will not work.



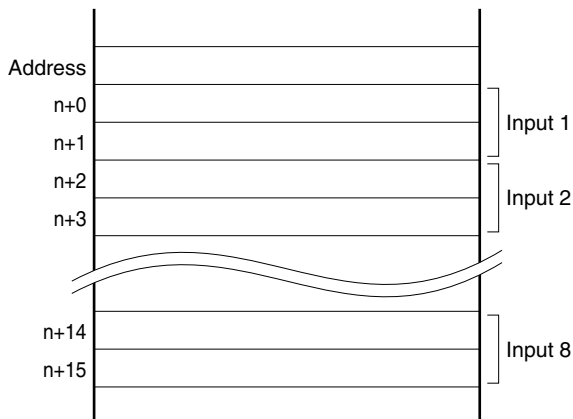
■ COUNTER PRESET

(Available in combination with R3-NE1, R3-NMx (Firmware version 2.00 or later, R3-NM3: Firmware version V1.00 or later), and R3S-PA8 displayed 'SW3-4 RESET/PRESET' on the right side)

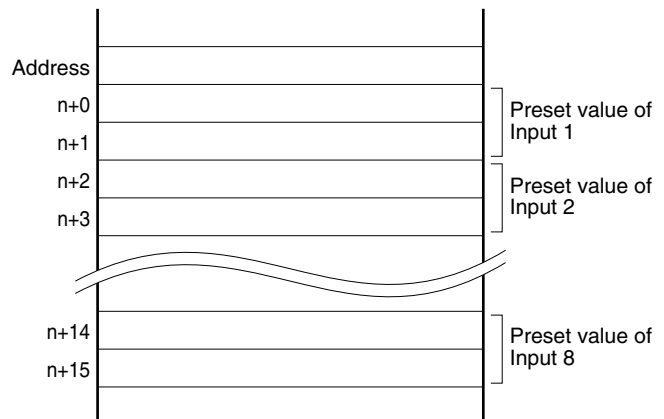
Setting SW3-4 ON and turning power on enable the function.

Write the preset value to the Holding Registers, which has same address as the Input Registers.

• Input Registers



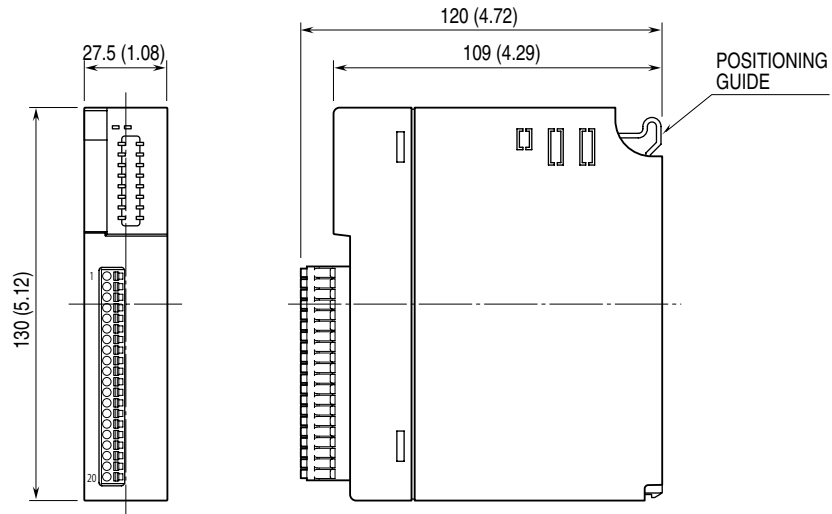
• Holding Registers



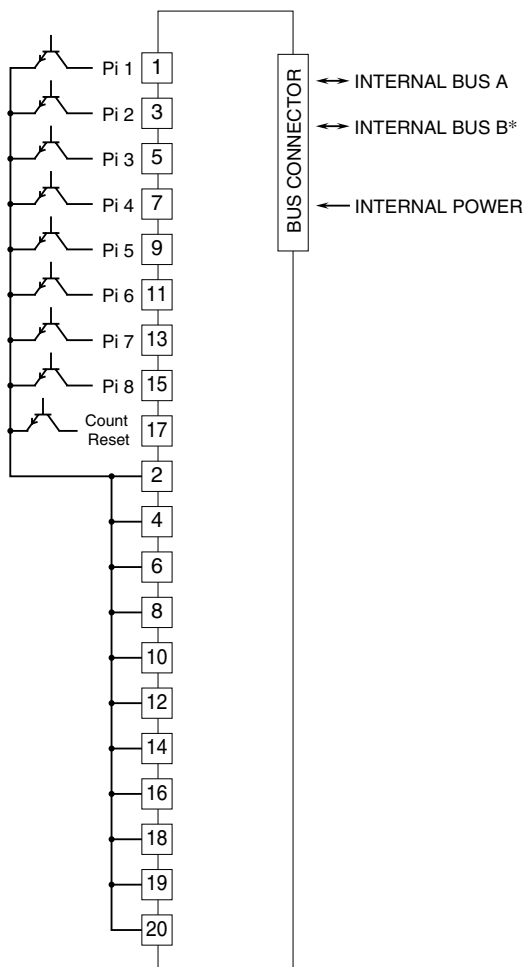
TERMINAL CONNECTIONS

Connect the unit as in the diagram below.

EXTERNAL DIMENSIONS unit: mm (inch)



CONNECTION DIAGRAM



*For dual redundant communication.

WIRING INSTRUCTIONS

■ APPLICABLE WIRE SIZE

- **Solid:** 0.2 to 1.0 mm² (0.55 to 1.12 dia.)
- **Stranded:** 0.2 to 1.5 mm²

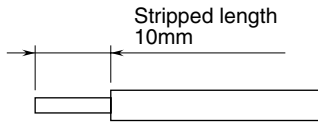
(Tinning wire ends may cause contact failure and therefore is not recommended.)

• Ferruled:

Unsheathed: 0.25 to 1.5 mm²

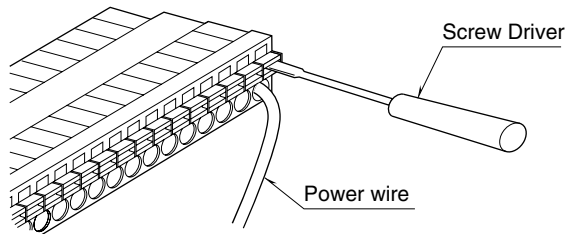
Sheathed: 0.25 to 0.75 mm²

- Expose wire conductors by 10 mm (0.39").



■ CONNECTION PROCEDURE

Insert the wire end until it comes to a full stop while pushing slot with the tip of a screw driver as shown below. Be sure wire insulation is not inside the terminal.



INPUT PIN ASSIGNMENT

PIN No.	FUNCTION
1	Pi 1
2	COM
3	Pi 2
4	COM
5	Pi 3
6	COM
7	Pi 4
8	COM
9	Pi 5
10	COM
11	Pi 6
12	COM
13	Pi 7
14	COM
15	Pi 8
16	COM
17	RESET
18	COM
19	COM
20	COM