

DC VOLTAGE OUTPUT MODULE
(4 points, isolated, tension clamp terminal block)MODEL **R3S-YV4****BEFORE USE**

Thank you for choosing us. Before use, please check contents of the package you received as outlined below.

If you have any problems or questions with the product, please contact our sales office or representatives.

■ PACKAGE INCLUDES:

DC voltage output module.....(1)

■ MODEL NO.

Confirm Model No. marking on the product to be exactly what you ordered.

■ INSTRUCTION MANUAL

This manual describes necessary points of caution when you use this product, including installation, connection and basic maintenance procedures.

POINTS OF CAUTION**■ HOT SWAPPABLE MODULES**

- Replacing the module does not affect other modules on the same base. Thus, the module can be replaced while the power is ON. However, replacing multiple modules at once may greatly change live voltage levels. We highly recommend to replace them one by one.

■ GENERAL PRECAUTIONS

- DO NOT set the switches on the module while the power is supplied. The switches are used only for maintenance without the power.

■ ENVIRONMENT

- Indoor use.
- When heavy dust or metal particles are present in the air, install the unit inside proper housing with sufficient ventilation.
- Do not install the unit where it is subjected to continuous vibration. Do not subject the unit to physical impact.
- Environmental temperature must be within -10 to +55°C (14 to 131°F) with relative humidity within 30 to 90% RH in order to ensure adequate life span and operation.

■ WIRING

- Do not install cables close to noise sources (relay drive cable, high frequency line, etc.).
- Do not bind these cables together with those in which noises are present. Do not install them in the same duct.

■ AND

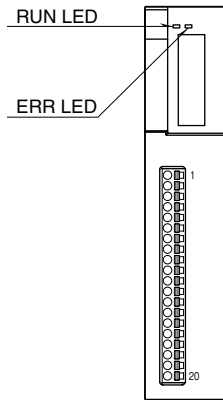
- The unit is designed to function as soon as power is supplied, however, a warm up for 10 minutes is required for satisfying complete performance described in the data sheet.

INSTALLATION

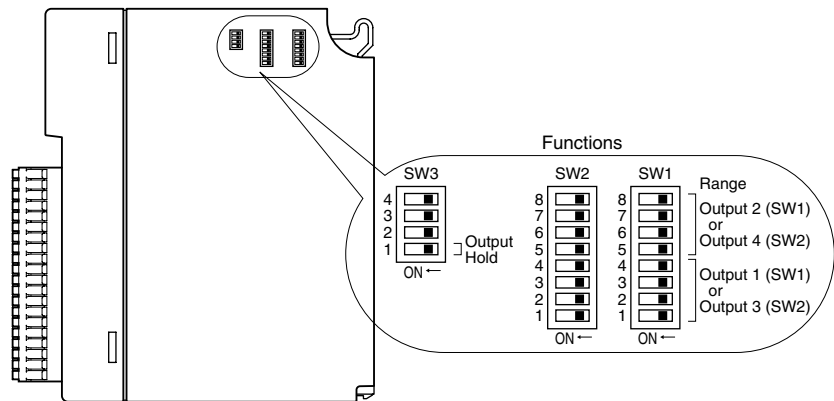
Use the Installation Base (model: R3-BSx).

COMPONENT IDENTIFICATION

FRONT VIEW



SIDE VIEW



STATUS INDICATOR LED

RUN indicator: Bi-color (red/green) LED;

- Red when the bus A operates normally;
- Green when the bus B operates normally;
- Amber when both buses operate normally.

ERR indicator: Green LED turns on in normal operating conditions.

SIDE DIP SW

(*) Factory setting

Output Range: SW1, SW2

OUTPUT 1 (SW1)				OUTPUT 2 (SW1)				RANGE
OUTPUT 3 (SW2)				OUTPUT 4 (SW2)				
1	2	3	4	5	6	7	8	
OFF	OFF	OFF	OFF	OFF	OFF	OFF	OFF	-10 – +10V DC (*)
ON	OFF	OFF	OFF	ON	OFF	OFF	OFF	-5 – +5V DC
OFF	ON	OFF	OFF	OFF	ON	OFF	OFF	1 – +1V DC
ON	ON	OFF	OFF	ON	ON	OFF	OFF	0 – 10V DC
OFF	OFF	ON	OFF	OFF	OFF	ON	OFF	0 – 5V DC
ON	OFF	ON	OFF	ON	OFF	ON	OFF	1 – 5V DC
OFF	ON	ON	OFF	OFF	ON	ON	OFF	0 – 1V DC

Output Hold: SW3-1

SW	OUTPUT HOLD	
	HOLD (*)	OFF
SW3-1	OFF	ON

Note: Be sure to set unused SW3-2 through 3-4 to OFF.

PC CONFIGURATOR

With configurator software, settings shown below are available.
Refer to the software manual of R3CON for detailed operation.

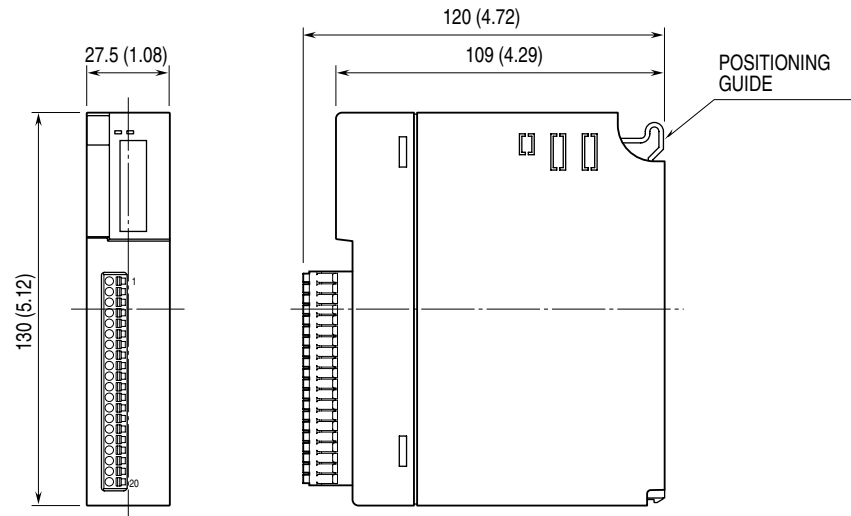
CHANNEL INDIVIDUAL SETTING

PARAMETER	AVAILABLE RANGE	DEFAULT SETTING
Zero Scale	-32000 to +32000	0
Full Scale	-32000 to +32000	10000
Zero Adjust	-320.00 to +320.00	0.00
Full Adjust	-32000 to +32000	1.0000
Unused	0: Enable 1: Disable	0: Enable

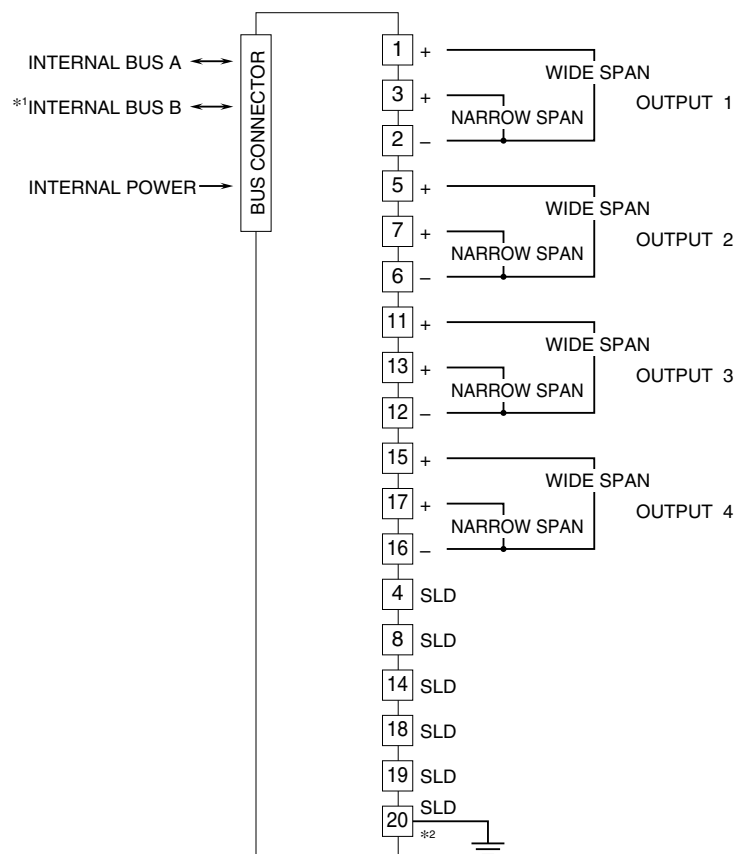
TERMINAL CONNECTIONS

Connect the unit as in the diagram below.

EXTERNAL DIMENSIONS unit: mm (inch)



CONNECTION DIAGRAM



*1. For dual redundant communication.

*2. To use shield line, connect it to SLD terminal and ground the terminal 20.

Note: Do not connect wide span and narrow span simultaneously within the same channel. Do not use void terminals.

■ **Wide Span:** -10 – +10 V DC, -5 – +5 V DC, 0 – 10 V DC,
0 – 5 V DC, 1 – 5 V DC

■ **Narrow Span:** -1 – +1 V, 0 – 1 V DC

WIRING INSTRUCTIONS

■ APPLICABLE WIRE SIZE

- **Solid:** 0.2 to 1.0 mm² (0.55 to 1.12 dia.)
- **Stranded:** 0.2 to 1.5 mm²

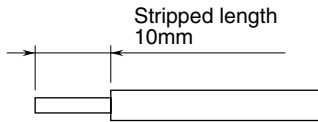
(Tinning wire ends may cause contact failure and therefore is not recommended.)

• Ferruled:

Unsheathed: 0.25 to 1.5 mm²

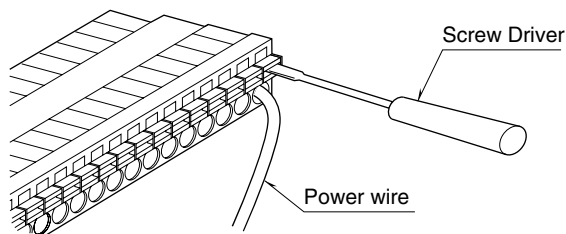
Sheathed: 0.25 to 0.75 mm²

- Expose wire conductors by 10 mm (0.39").



■ CONNECTION PROCEDURE

Insert the wire end until it comes to a full stop while pushing slot with the tip of a screw driver as shown below. Be sure wire insulation is not inside the terminal.



OUTPUT PIN ASSIGNMENT

PIN No.	FUNCTION
1	VH1
2	COM1
3	VL1
4	SLD
5	VH2
6	COM2
7	VL2
8	SLD
9	NC
10	NC
11	VH3
12	COM3
13	VL3
14	SLD
15	VH4
16	COM4
17	VL4
18	SLD
19	SLD
20	SLD

FUNCTIONS

■ OUTPUT HOLD or OUTPUT OFF

In normal conditions, the module outputs the signal from the preferred bus A.

When an error is detected, the output is switched to the data from the bus B.

• Output Hold

If both are in error, the module holds the signal and stands by until one of the communications recovers.

• Output OFF

If both are in error, the module outputs -15 % (or approx. -11.5 V) and stands by until one of the communications recovers.

At the startup, it outputs -15 % (or approx. -11.5 V) until the communication is established and normal data is received.