

RTD INPUT MODULE
(8 points, isolated, connector type)MODEL **R3Y-RS8****BEFORE USE**

Thank you for choosing us. Before use, please check contents of the package you received as outlined below.

If you have any problems or questions with the product, please contact our sales office or representatives.

■ PACKAGE INCLUDES:

RTD input module.....(1)

■ MODEL NO.

Confirm Model No. marking on the product to be exactly what you ordered.

■ INSTRUCTION MANUAL

This manual describes necessary points of caution when you use this product, including installation, connection and basic maintenance procedures.

POINTS OF CAUTION**■ CONFORMITY WITH EU DIRECTIVES**

- The equipment must be mounted inside the instrument panel of a metal enclosure.
- The actual installation environments such as panel configurations, connected devices, connected wires, may affect the protection level of this unit when it is integrated in a panel system. The user may have to review the CE requirements in regard to the whole system and employ additional protective measures to ensure the CE conformity.

■ HOT SWAPPABLE MODULES

- Replacing the module does not affect other modules on the same base. Thus, the module can be replaced while the power is ON. However, replacing multiple modules at once may greatly change live voltage levels. We highly recommend to replace them one by one.

■ GENERAL PRECAUTIONS

- DO NOT set the switches on the module while the power is supplied. The switches are used only for maintenance without the power.

■ ENVIRONMENT

- Indoor use.
- When heavy dust or metal particles are present in the air, install the unit inside proper housing with sufficient ventilation.
- Do not install the unit where it is subjected to continuous vibration. Do not subject the unit to physical impact.
- Environmental temperature must be within -10 to +55°C (14 to 131°F) with relative humidity within 30 to 90% RH in order to ensure adequate life span and operation.

■ WIRING

- Do not install cables close to noise sources (relay drive cable, high frequency line, etc.).
- Do not bind these cables together with those in which noises are present. Do not install them in the same duct.

■ AND

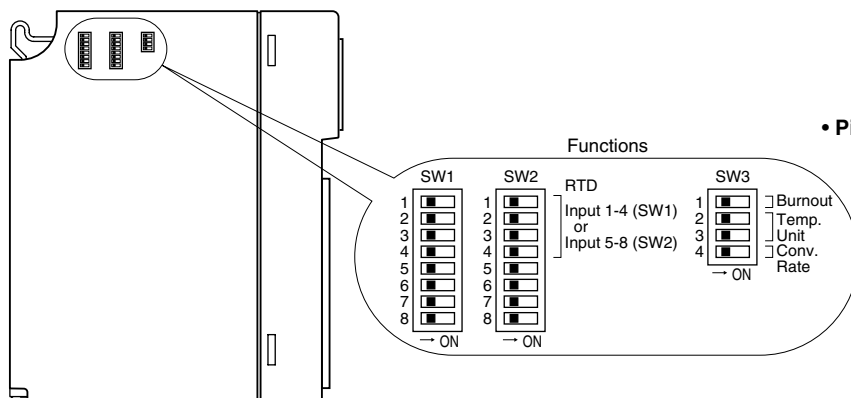
- The unit is designed to function as soon as power is supplied, however, a warm up for 10 minutes is required for satisfying complete performance described in the data sheet.

INSTALLATION

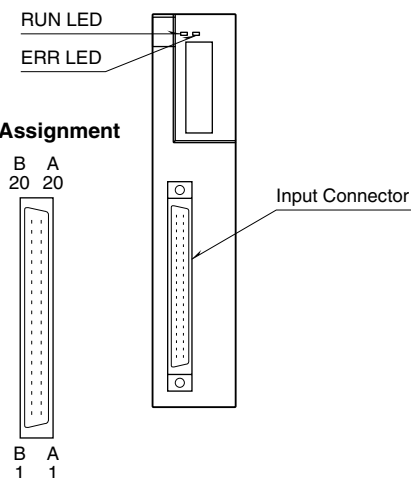
Use the Installation Base (model: R3-BSx).

COMPONENT IDENTIFICATION

■ SIDE VIEW



■ FRONT VIEW



■ SIDE DIP SW

(*) Factory setting

- **RTD Type: SW1, SW2** (selectable per 4 channels)

INPUT 1 through INPUT 4 (SW1)				RTD
INPUT 5 through INPUT 8 (SW2)				
1	2	3	4	
OFF	OFF	OFF	OFF	Pt 100 (*) (JIS '97, IEC)
ON	OFF	OFF	OFF	Pt 100 (JIS '89)
OFF	ON	OFF	OFF	JPt 100 (JIS '89)
ON	ON	OFF	OFF	Pt 50Ω (JIS '81)
OFF	OFF	ON	OFF	Ni 100
ON	OFF	ON	OFF	Cu 10 @ 25°C
OFF	OFF	OFF	ON	Cu 50

- **Burnout: SW3-1**

SW3-1	BURNOUT
OFF	Upscale (*)
ON	Downscale

- **Temperature Unit: SW3-2, 3-3**

SW3-2	SW3-3	TEMP. UNIT
OFF	OFF	°C(*)
ON	OFF	°F
OFF	ON	K (Absolute Temp)

- **Conversion Rate: SW3-4**

SW3-4	CONV. RATE
OFF	250 msec. (*)
ON	1 sec.

Note: Be sure to set unused SW1-5 through 1-8 and SW2-5 through 2-8 to OFF.

■ STATUS INDICATOR LED

RUN indicator: Bi-color (red/green) LED;

Red when the bus A operates normally;
Green when the bus B operates normally;
Amber when both buses operate normally.

ERR indicator: Bi-color (red/green) LED;

Red with burnout;
Green in normal operating conditions.

PC CONFIGURATOR

With configurator software, settings shown below are available.
Refer to the software manual of R3CON for detailed operation.

■ CHANNEL INDIVIDUAL SETTING

PARAMETER	AVAILABLE RANGE	DEFAULT SETTING
Zero Scale	-32000 to +32000	0
Full Scale	-32000 to +32000	10000
Zero Adjust	-320.00 to +320.00	0.00
Full Adjust	-32000 to +32000	1.0000
Zero Base	Depends on sensor type	0.00
Full Base	Depends on sensor type	0.00
Unused	0: Enable 1: Disable	0: Enable

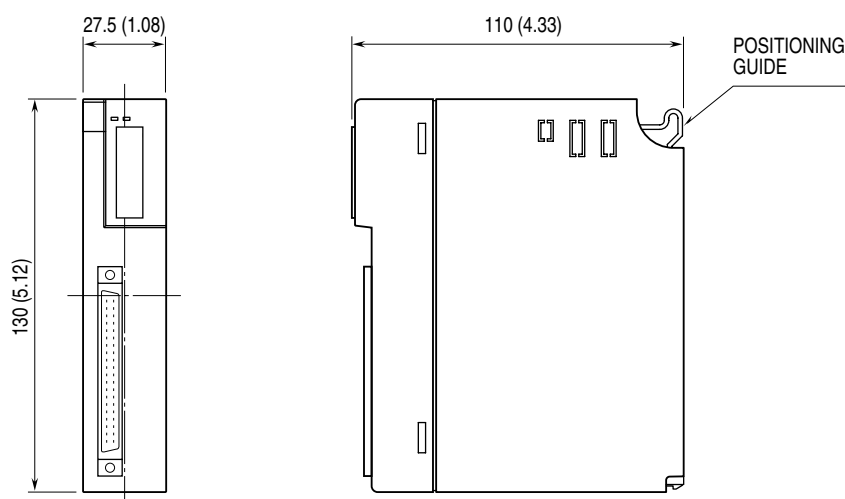
■ CHANNEL BATCH SETTING

PARAMETER	AVAILABLE RANGE	DEFAULT SETTING
Limit	No check mark: Limits to the scaling values equivalent to -15 % to +115 %. Check-marked: Limits within Zero Scale to Full Scale.	No check mark

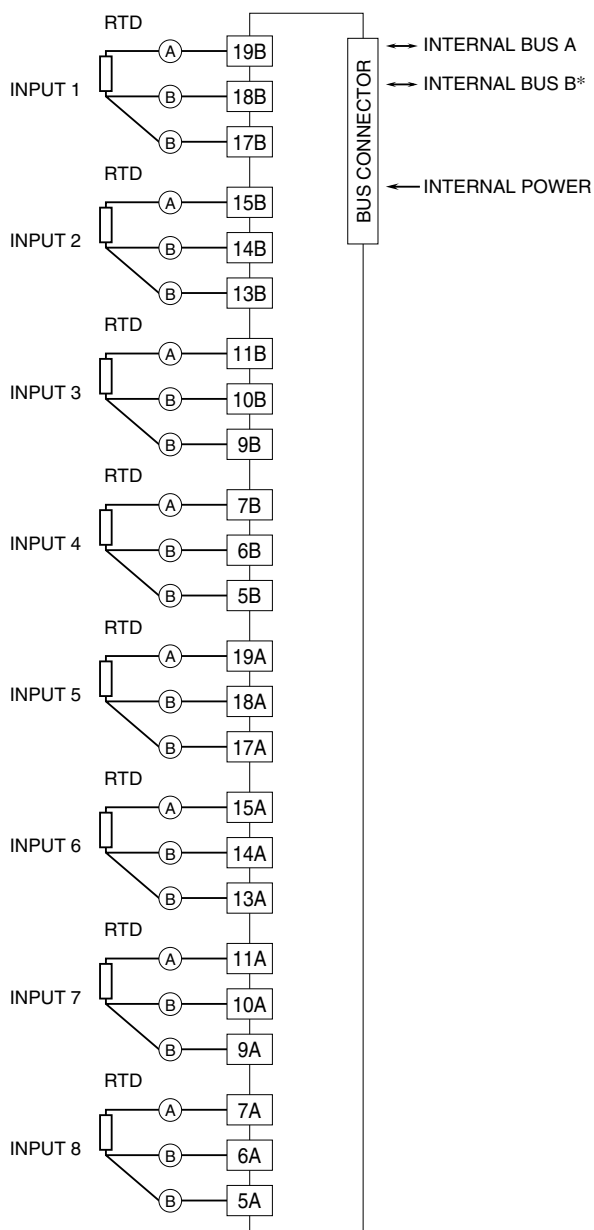
TERMINAL CONNECTIONS

Connect the unit as in the diagram below.

■ EXTERNAL DIMENSIONS unit: mm (inch)



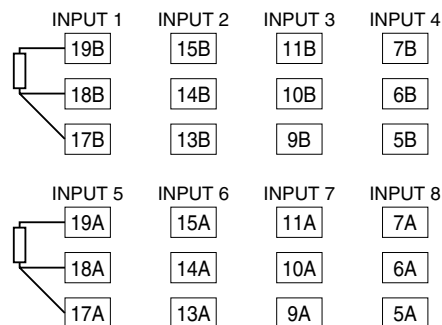
■ CONNECTION DIAGRAM



*For dual redundant communication.

• Unused Input Channels

Close across the unused input terminals with a resistor as shown below and set the DIP switch for an RTD. The resistance value must match the RTD type (100Ω for Pt 100, 50Ω for Pt 50Ω).



Unused channels left open are equal to the burnout, which turns the red ERR LED on and sets a burnout flag at the PLC or the host device.

Unused channels can be specified and set so on the PC Configurator Software (model: R3CON) without needing to connect resistors at the field terminals.

INPUT CONNECTOR (40-pin)

PIN NO.	ASSIGNMENT	PIN NO.	ASSIGNMENT
1A	NC	1B	NC
2A	NC	2B	NC
3A	NC	3B	NC
4A	NC	4B	NC
5A	IN8B	5B	IN4B
6A	IN8B	6B	IN4B
7A	IN8A	7B	IN4A
8A	NC	8B	NC
9A	IN7B	9B	IN3B
10A	IN7B	10B	IN3B
11A	IN7A	11B	IN3A
12A	NC	12B	NC
13A	IN6B	13B	IN2B
14A	IN6B	14B	IN2B
15A	IN6A	15B	IN2A
16A	NC	16B	NC
17A	IN5B	17B	IN1B
18A	IN5B	18B	IN1B
19A	IN5A	19B	IN1A
20A	NC	20B	NC