

BEFORE USE

Thank you for choosing us. Before use, please check contents of the package you received as outlined below. If you have any problems or questions with the product, please contact our sales office or representatives.

■ PACKAGE INCLUDES:

Installation base.....(1)

■ MODEL NO.

Confirm Model No. marking on the product to be exactly what you ordered.

■ INSTRUCTION MANUAL

This manual describes necessary points of caution when you use this product, including installation, connection and basic maintenance procedures.

POINTS OF CAUTION

■ CONFORMITY WITH EU DIRECTIVES

- The equipment must be mounted inside the instrument panel of a metal enclosure.
- The actual installation environments such as panel configurations, connected devices, connected wires, may affect the protection level of this unit when it is integrated in a panel system. The user may have to review the CE requirements in regard to the whole system and employ additional protective measures to ensure the CE conformity.

■ GENERAL PRECAUTIONS

- Before you remove the unit or mount it, turn off the power supply, input and output signals for safety.

■ ENVIRONMENT

- Indoor use.
- When heavy dust or metal particles are present in the air, install the unit inside proper housing with sufficient ventilation.
- Do not install the unit where it is subjected to continuous vibration. Do not subject the unit to physical impact.
- Environmental temperature must be within -10 to +55°C (14 to 131°F) with relative humidity within 10 to 90% RH in order to ensure adequate life span and operation.

■ WIRING

- Do not install cables close to noise sources (relay drive cable, high frequency line, etc.).
- Do not bind these cables together with those in which noises are present. Do not install them in the same duct.

INSTALLATION

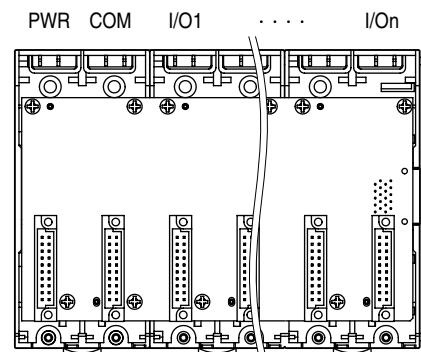
■ FRONT VIEW

Mount the power supply module and network module on the dedicated slots (PWR and COM), and do not mount on I/O slots. PWR slot is on the left end and COM slot is on the immediate right of PWR slot. The I/O slots are numbered in the ascending order starting from the one on the immediate right of the network module (slot 1, slot 2...).

For model: TR30 or DL30, mount it on the PWR and COM slot.

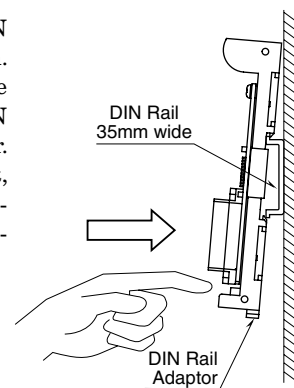
A code indicating the I/O slot number is assigned to each I/O slot and I/O data is allocated in the order of this code.

When an I/O slot is vacant, blank data is sent or received to/from the PLC, etc.



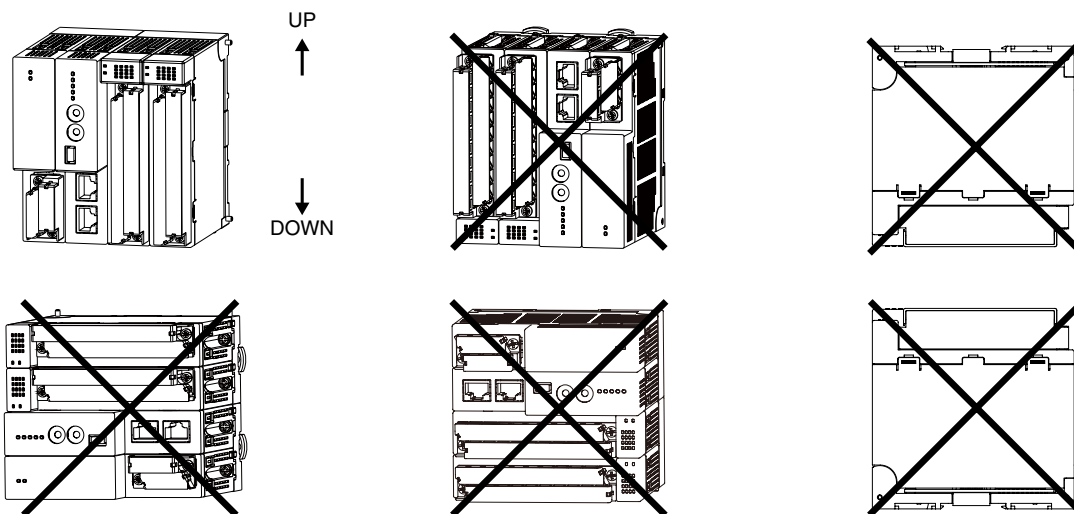
■ DIN RAIL MOUNTING

Set the unit such that its DIN rail adaptor is at the bottom. Hang the upper hook at the rear side of unit on the DIN rail and push in the lower. When removing the unit, push down the DIN rail adaptor utilizing minus screwdriver and pull.



■ MOUNTING DIRECTION

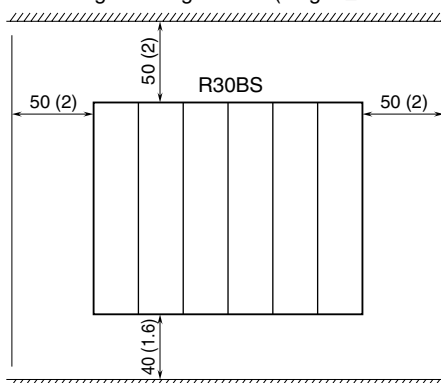
Mount the unit vertically as is shown in the figure below. Mounting in other directions may cause heat build-up inside the unit and lead to shorten its life span or degrade its performance.



■ MOUNTING ON CONTROL PANEL unit: mm (inch)

Secure sufficient ventilation space. Do not mount the unit right above devices which radiate great heat such as heaters, transformers or resistors. Maintenance space is also required above and below the unit.

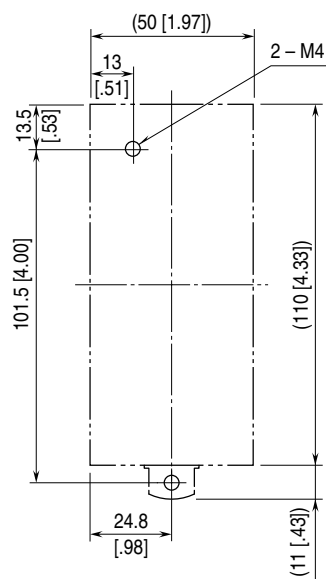
Panel ceiling or wiring conduit (height ≤ 50 mm or 2 in.)



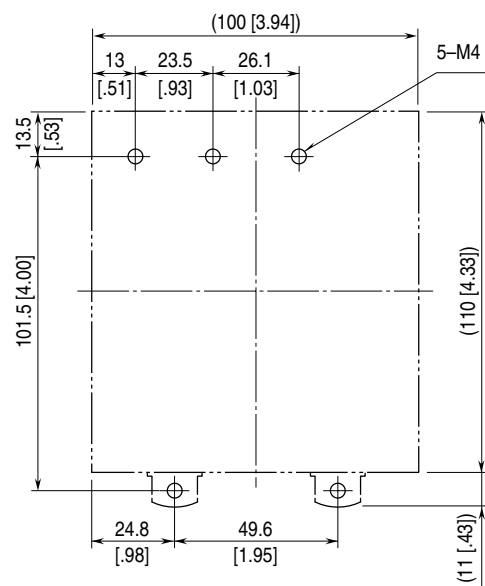
Panel bottom or wiring conduit (height ≤ 50 mm or 2 in.)

■ WALL MOUNTING unit: mm (inch)

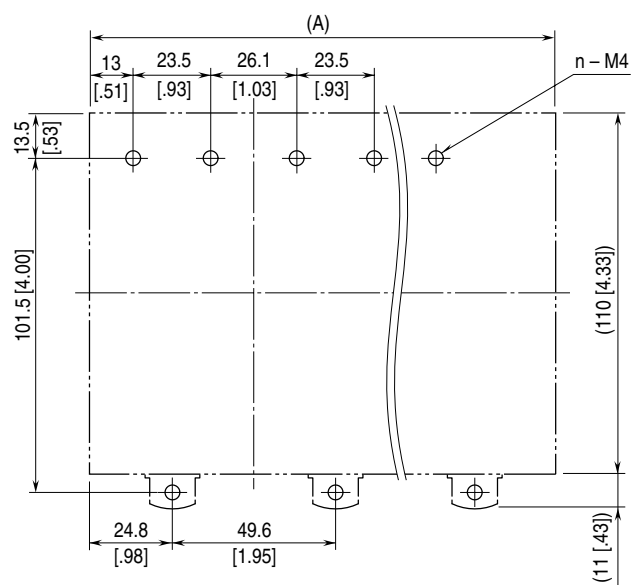
■ R30BS00



■ R30BS02

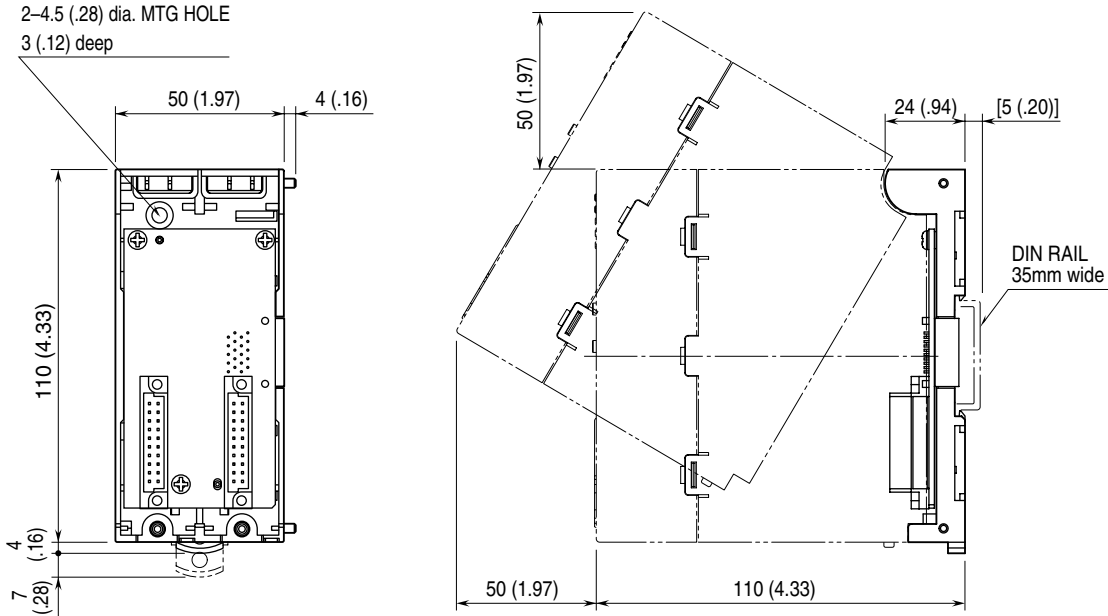


■ R30BS04, BS06, BS08, BS12, BS16

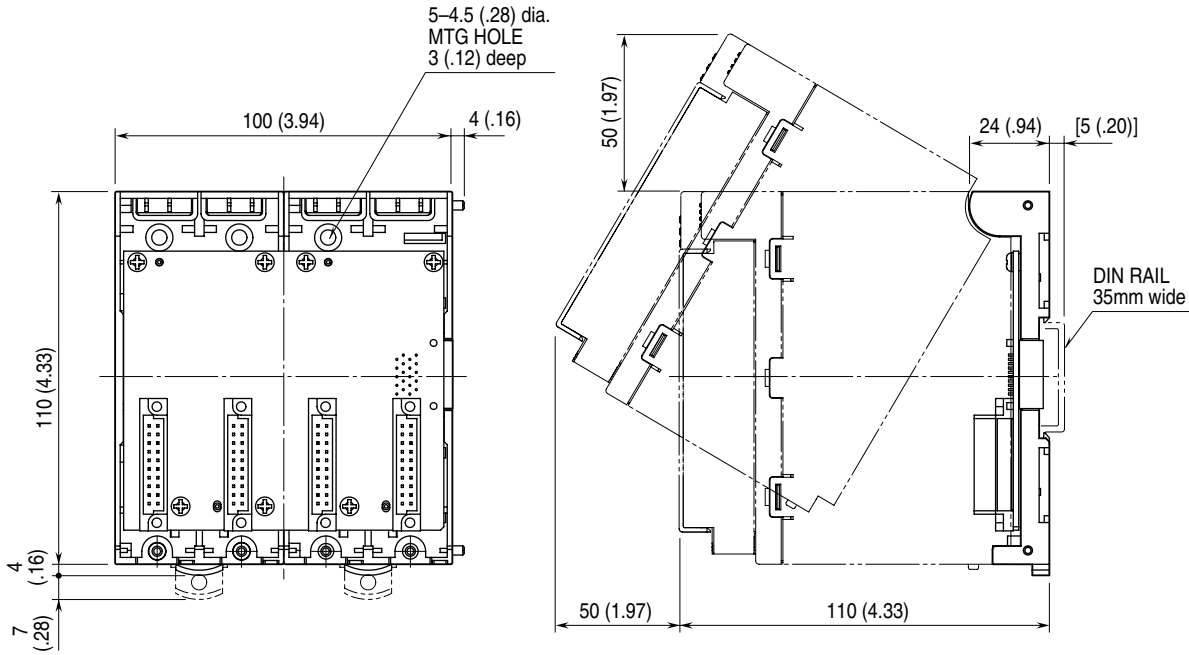


EXTERNAL DIMENSIONS unit: mm (inch)

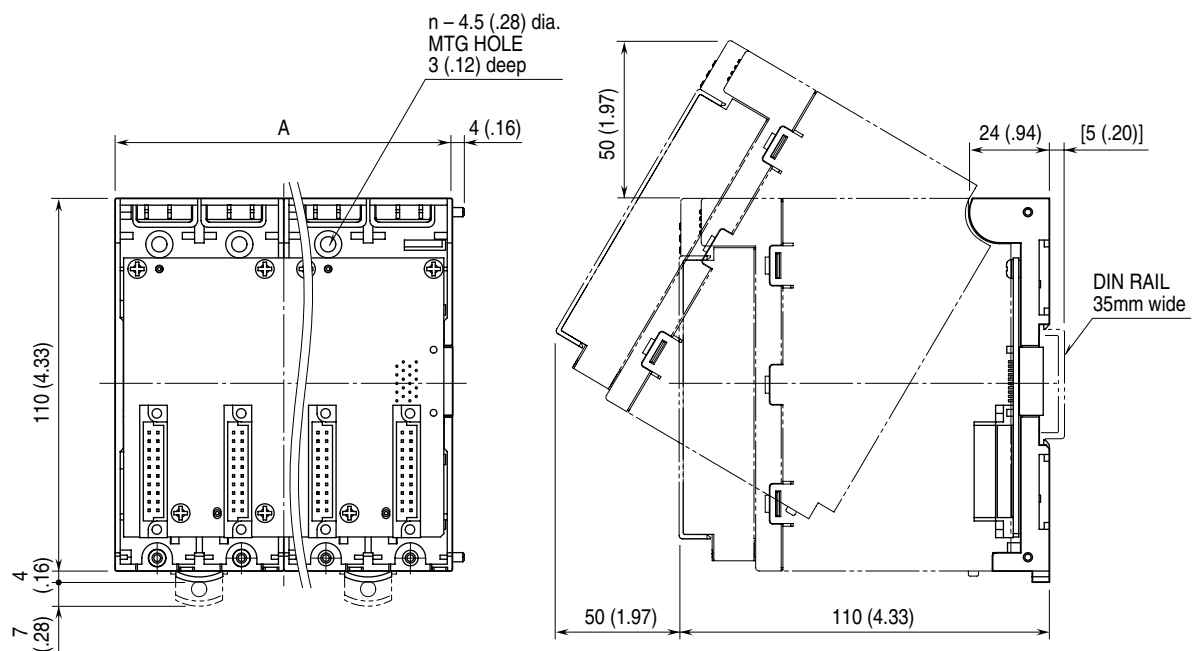
■ R30BS00



■ R30BS02



■ R30BS04, BS06, BS08, BS12, BS16



| MODEL | A (SIZE) | n (NUMBER OF SCREWS) |
|---------|-------------|----------------------|
| R30BS04 | 150 (5.91) | 8 |
| R30BS06 | 200 (7.87) | 11 |
| R30BS08 | 250 (9.84) | 14 |
| R30BS12 | 350 (13.78) | 20 |
| R30BS16 | 450 (17.72) | 26 |