

BEFORE USE

Thank you for choosing us. Before use, please check contents of the package you received as outlined below.

If you have any problems or questions with the product, please contact our sales office or representatives.

■ PACKAGE INCLUDES:

Network interface module(1)
Terminating resistor (110 Ω, 0.25 W).....(1)

■ MODEL NO.

Confirm Model No. marking on the product to be exactly what you ordered.

■ INSTRUCTION MANUAL

This manual describes necessary points of caution when you use this product, including installation, connection and basic maintenance procedures.

POINTS OF CAUTION**■ CONFORMITY WITH EU DIRECTIVES**

- The equipment must be mounted inside a panel.
- The actual installation environments such as panel configurations, connected devices, connected wires, may affect the protection level of this unit when it is integrated in a panel system. The user may have to review the CE requirements in regard to the whole system and employ additional protective measures to ensure the CE conformity.

■ HOT INSERTION/REMOVAL OF MODULES

- It is possible to replace the module with the power is supplied. Be sure to replace it when the module is not communicating with a host, as it is possible to affect the system. However, replacing multiple modules at once may greatly change line voltage levels. We recommend that you replace them one by one.

■ GENERAL PRECAUTIONS

- Do not set the DIP switch on the side panel while the power is supplied. The DIP switch is selectable for maintenance without the power.

■ ENVIRONMENT

- Indoor use.
- When heavy dust or metal particles are present in the air, install the unit inside proper housing with sufficient ventilation.
- Do not install the unit where it is subjected to continuous vibration. Do not subject the unit to physical impact.
- Environmental temperature must be within -10 to +55°C (14 to 131°F) with relative humidity within 30 to 90% RH in order to ensure adequate life span and operation.

■ WIRING

- Do not install cables close to noise sources (relay drive cable, high frequency line, etc.).
- Do not bind these cables together with those in which noises are present. Do not install them in the same duct.

■ AND

- The unit is designed to function as soon as power is supplied, however, a warm up for 10 minutes is required for satisfying complete performance described in the data sheet.

INSTALLATION

Use the Base Model R6x-BSA or R6x-BSB.

Before mounting the Network Interface Module onto the Base, be sure to configure the module as explained below.

■ DATA ALLOCATION

The setting determines the data area size assigned to each I/O module mounted on the base.

The data sent/received via Modbus is mapped according to this setting.

In order to use the second channel of analog I/O modules, choose the Mode 2. (The 2nd channel cannot be sent/received in the Mode 1.)

See “COMPONENT IDENTIFICATION.”

■ NODE ADDRESS & BAUD RATE, ETC.

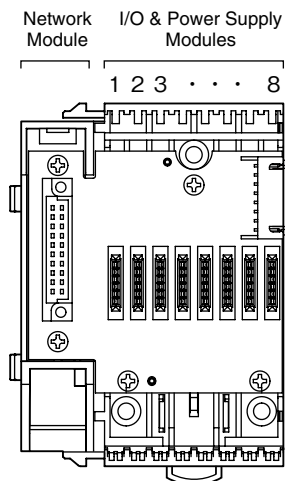
See “COMPONENT IDENTIFICATION.”

■ NETWORK SLOTS ON THE BASE

Mount the Network Module to the dedicated slot on the base.

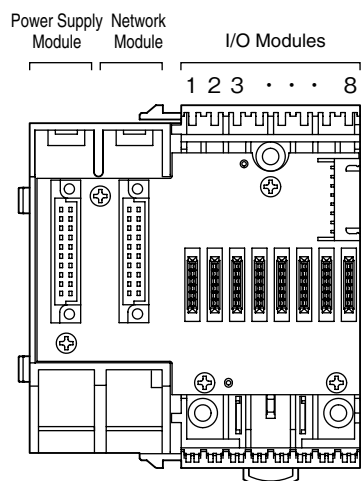
• R6x-BSA

The I/O and the power (model: R6x-PF1) modules can be positioned freely on whichever among the slots 1 through 8. Set a module address to each I/O module.



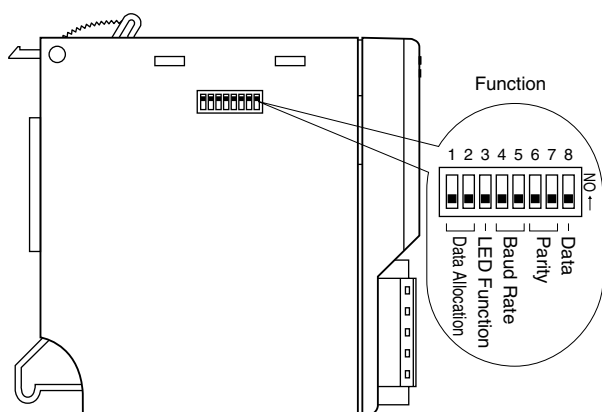
• R6x-BSB

The power module (model: R6-PSM) should be located on the extreme left, the I/O modules can be positioned freely on whichever among the slots 1 through 8. Set a module address to each I/O module.



COMPONENT IDENTIFICATION

■ SIDE VIEW



■ SIDE DIP SW

(*) Factory setting

• Data Allocation Mode: SW1, SW2

DATA ALLOCATION MODE	SW1	SW2
1	■	
2 (*)		

■ = ON, Blank = OFF

• LED Function: SW3

LED FUNCTION	SW3
RUN: Green ON in normal communications (*)	
ERR: Green ON/blinks in an abnormality	
RUN: Red ON when receiving	■
ERR: Red ON when transmitting	

■ = ON, Blank = OFF

• Baud Rate: SW4, SW5

BAUD RATE (bps)	SW4	SW5
38.4 k		
19.2 k (*)	■	
9600		■
4800	■	■

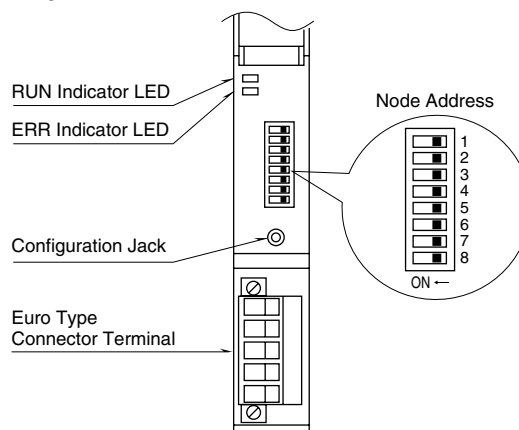
■ = ON, Blank = OFF

• Parity: SW6, SW7 *1

PARITY	SW6	SW7
None (*)		
Odd	■	
Even		■
N/A	■	■

■ = ON, Blank = OFF

■ FRONT VIEW



• Data Mode: SW8 *1

DATA MODE	SW8
RTU (Binary)	
ASCII (*)	■

■ = ON, Blank = OFF

*1. Bit assignment according to Parity and Data Mode setting.

DATA MODE	START	DATA	PARITY	STOP
RTU	1	8	1	1
	1	8	None	2
ASCII	1	7	1	1
	1	7	None	2

■ FRONT DIP SW

• Node Address

ADD.	DIP SW							
	1	2	3	4	5	6	7	8
1 (*)	■							
2		■						
3	■	■						
4			■					
5	■		■					
6		■	■					
7	■	■	■					
:	:	:	:	:	:	:	:	:
247	■	■	■		■	■	■	■

■ = ON, Blank = OFF

PC CONFIGURATOR

With configurator software, settings shown below are available.
Refer to the software manual of R6CON for detailed operation.

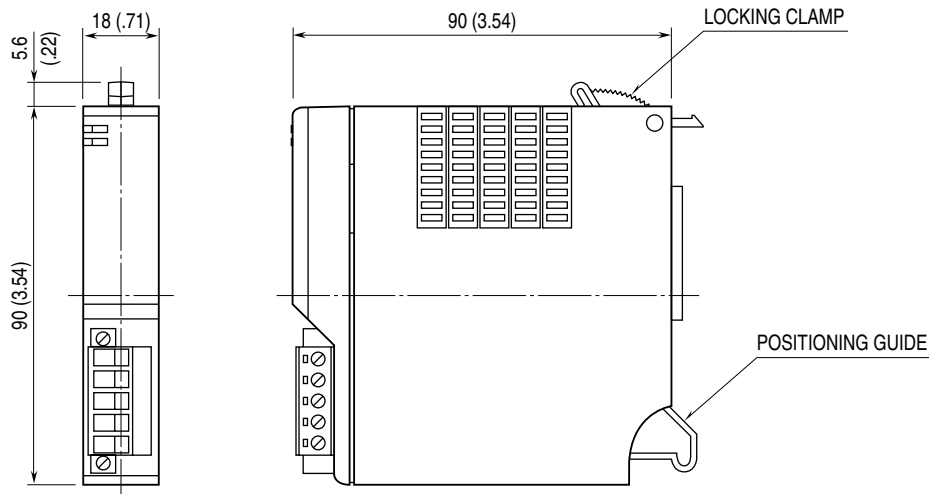
■ INTERFACE MODULE SETTING

PARAMETER	AVAILABLE RANGE	DEFAULT SETTING
Communication Failure Detection Time	0.2 – 3200.0 (sec.)	3.0 (sec.)
Card map	00000000 to FFFFFFFF	FFFFFFF

TERMINAL CONNECTIONS

Connect the unit as in the diagram below.

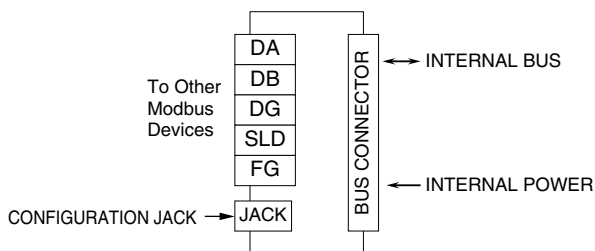
EXTERNAL DIMENSIONS unit: mm (inch)



CONNECTION DIAGRAM

Note: In order to improve EMC performance, bond the FG terminal to ground.

Caution: FG terminal is NOT a protective conductor terminal.



Note: The FG terminal is not connected with the FG of the power supply module (Model: R6x-PF1 or R6-PSM).

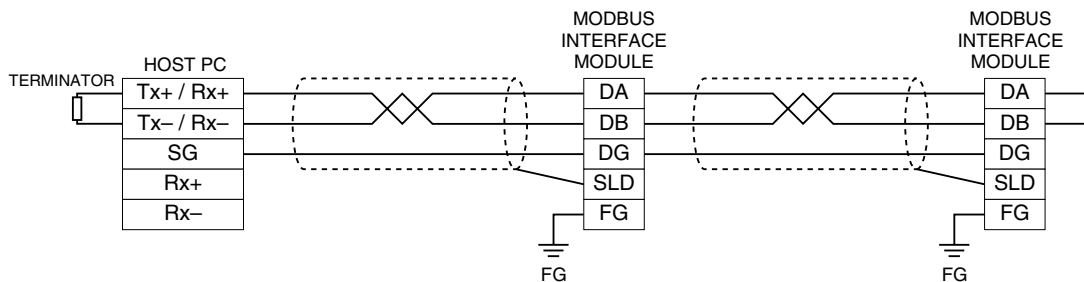
WIRING INSTRUCTIONS

EURO TYPE CONNECTOR TERMINAL (Modbus)

Applicable wire size: 0.2 – 2.5 mm²

Stripped length: 7 mm

COMMUNICATION CABLE CONNECTION



MODBUS FUNCTION CODES & SUPPORTED CODES

■ Data and Control Functions

CODE	NAME		
01	Read Coil Status	X	Digital output from the slave (read/write)
02	Read Input Status	X	Status of digital inputs to the slave (read only)
03	Read Holding Registers	X	General purpose register within the slave (read/write)
04	Read Input Registers	X	Collected data from the field by the slave (read only)
05	Force Single Coil	X	Digital output from the slave (read/write)
06	Preset Single Registers	X	General purpose register within the slave (read/write)
07	Read Exception Status		
08	Diagnostics	X	
09	Program 484		
10	Poll 484		
11	Fetch Comm. Event Counter		Fetch a status word and an event counter
12	Fetch Comm. Event Log		A status word, an event counter, a message count and a field of event bytes
13	Program Controller		
14	Poll Controller		
15	Force Multiple Coils	X	Digital output from the slave (read/write)
16	Preset Multiple Registers	X	General purpose register within the slave (read/write)
17	Report Slave ID		
18	Program 884 / M84		
19	Reset Comm. Link		
20	Read General Reference		
21	Write General Reference		
22	Mask Write 4X Register		
23	Read / Write 4X Registers		
24	Read FIFO Queue		

■ Exception Codes

CODE	NAME		
01	Illegal Function	X	Function code is not allowable for the slave
02	Illegal Data Address	X	Address is not available within the slave
03	Illegal Data Value	X	Data is not valid for the function
04	Slave Device Failure		
05	Acknowledge		
06	Slave Device Busy		
07	Negative Acknowledge		
08	Memory Parity Error		

■ Diagnostic Subfunctions

CODE	NAME		
00	Return Query Data	X	Loop back test
01	Restart Comm. Option	X	Reset the slave and clear all counters
02	Return Diagnostic Register	X	Contents of the diagnostic data (2 bytes)
03	Change ASCII Input Delimiter	X	Delimiter character of ASCII message
04	Force Listen Only Mode	X	Force the slave into Listen Only Mode

MODBUS I/O ASSIGNMENTS

The DIP SW located at the side of the module switches the unit's data allocation mode.

In the Data Allocation Mode 1, one (1) word is assigned per module. The second channel of analog I/O modules cannot be used. In the Data Allocation Mode 2, two (2) words are assigned per module regardless of whether the second word area is required or not.

For discrete I/O, 16-channel area is automatically assigned to each module. With a 4-channel module, the bits assigned to ch. 5 through 16 remain "0."

Note: DO NOT access addresses other than mentioned below. Such access may cause problems such as inadequate operation.

Coil (0X)	1 – 16	Module address 0	Do 1 – 4
	17 – 32	Module address 1	Do 1 – 4
	33 – 48	Module address 2	Do 1 – 4
	49 – 64	Module address 3	Do 1 – 4
	:	:	:
	241 – 256	Module address 15	Do 1 – 4
Inputs (1X)	1 – 16	Module address 0	Di 1 – 4
	17 – 32	Module address 1	Di 1 – 4
	33 – 48	Module address 2	Di 1 – 4
	49 – 64	Module address 3	Di 1 – 4
	:	:	:
	241 – 256	Module address 15	Di 1 – 4
	257 – 272	Active module map	
	273 – 288	Status	
289 – 320	Channel status		

■ Data Allocation Mode 1

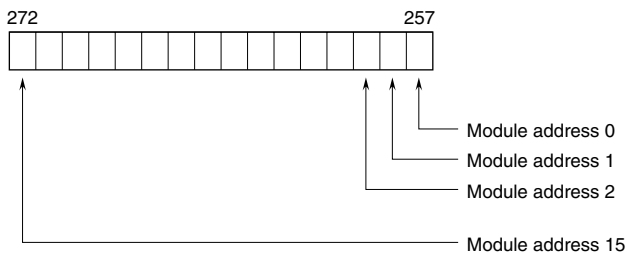
Input Registers (3X)	1	Module address 0	Ai 1 (INT)
	2	Module address 1	Ai 1 (INT)
	3	Module address 2	Ai 1 (INT)
	4	Module address 3	Ai 1 (INT)
	:	:	:
	16	Module address 15	Ai 1 (INT)
	17, 18	Module address 0	Ai 1 (Float)
	19, 20	Module address 1	Ai 1 (Float)
	21, 22	Module address 2	Ai 1 (Float)
	23, 24	Module address 3	Ai 1 (Float)
	:	:	:
	47, 48	Module address 15	Ai 1 (Float)
Holding Registers (4X)	1	Module address 0	Ao 1 (INT)
	2	Module address 1	Ao 1 (INT)
	3	Module address 2	Ao 1 (INT)
	4	Module address 3	Ao 1 (INT)
	:	:	:
	16	Module address 15	Ao 1 (INT)
	17, 18	Module address 0	Ao 1 (Float)
	19, 20	Module address 1	Ao 1 (Float)
	21, 22	Module address 2	Ao 1 (Float)
	23, 24	Module address 3	Ao 1 (Float)
	:	:	:
	47, 48	Module address 15	Ao 1 (Float)

■ Data Allocation Mode 2

Input Registers (3X)	1	Module address 0	Ai 1 (INT)
	2	Module address 0	Ai 2 (INT)
	3	Module address 1	Ai 1 (INT)
	4	Module address 1	Ai 2 (INT)
	:	:	:
	31	Module address 15	Ai 1 (INT)
	32	Module address 15	Ai 2 (INT)
	33, 34	Module address 0	Ai 1 (Float)
	35, 36	Module address 0	Ai 2 (Float)
	37, 38	Module address 1	Ai 1 (Float)
39, 40	Module address 1	Ai 2 (Float)	
	:	:	:
	93, 94	Module address 15	Ai 1 (Float)
	95, 96	Module address 15	Ai 2 (Float)
Holding Registers (4X)	1	Module address 0	Ao 1 (INT)
	2	Module address 0	Ao 2 (INT)
	3	Module address 1	Ao 1 (INT)
	4	Module address 1	Ao 2 (INT)
	:	:	:
	31	Module address 15	Ao 1 (INT)
	32	Module address 15	Ao 2 (INT)
	33, 34	Module address 0	Ao 1 (Float)
	35, 36	Module address 0	Ao 2 (Float)
	37, 38	Module address 1	Ao 1 (Float)
39, 40	Module address 1	Ao 2 (Float)	
	:	:	:
	93, 94	Module address 15	Ao 1 (Float)
	95, 96	Module address 15	Ao 2 (Float)

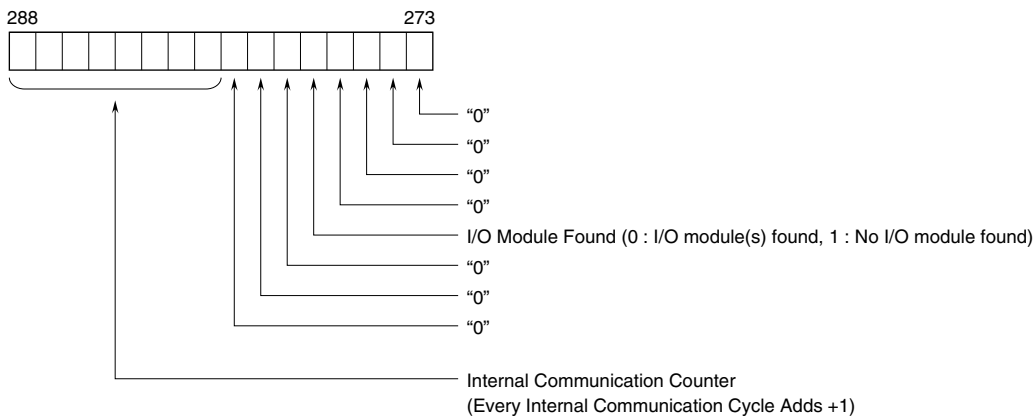
■ ACTIVE MODULE MAP

Indicates the slots where I/O modules are mounted. When the module is mounted, the corresponding bit turns to “1.”



■ STATUS

Communication status data. When one or more I/O modules are mounted on the base, the corresponding bit turns to “0.”



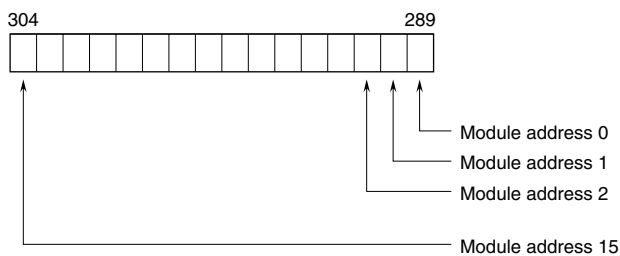
■ CHANNEL STATUS

Channel Status shows the I/O module’s data error.

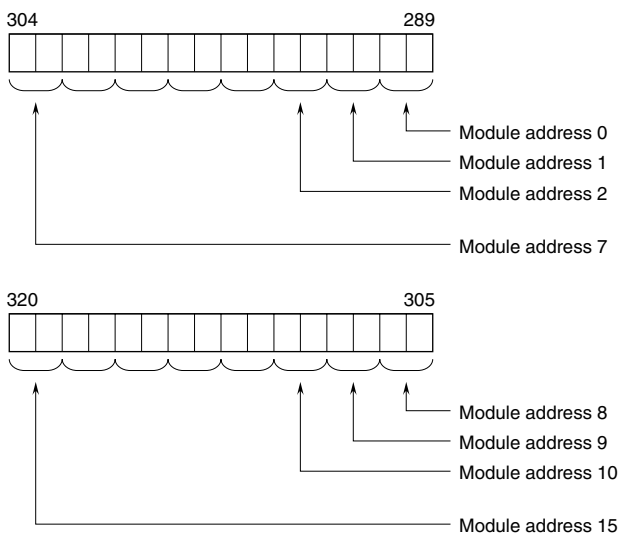
- Input overrange ($\leq -15\%$ or $\geq 115\%$) of Input modules except R6x-TSx and R6x-RSx.
- Inputs of R6x-TSx, R6x-RSx burnout.
- Output wire breakdown of R6x-YSx (Firmware Version 2.00 or later).

In the above case, the corresponded bit is “1.”

• Data Allocation Mode 1



• Data Allocation Mode 2



In the Data Allocation Mode 2, the LSB is used for channel 1, and the MSB for channel 2, of an analog module.

I/O DATA DESCRIPTIONS

• 16-bit Analog Data

0 to 100% of the selected I/O range is converted into 0 to 10000 (binary).

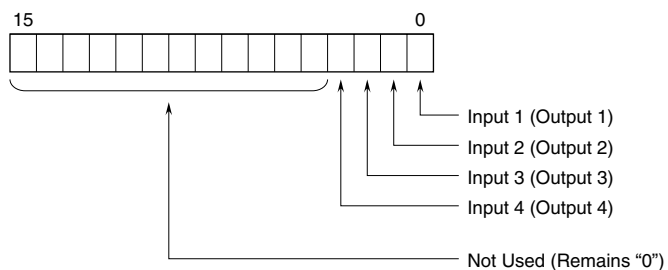
With °C temperature unit, raw data is multiplied by 10. For example, 25.5°C is converted into 255.

With °F temperature unit, the integer section of raw data is directly converted into the data. For example, 135.4°F is converted into 135.

Negative values are represented in 2's complements.



• Discrete Data



0 : OFF
1 : ON