

| | |
|----------------------------|---------------------|
| POWER SUPPLY MODULE | MODEL R6-PSM |
|----------------------------|---------------------|

BEFORE USE

Thank you for choosing us. Before use, please check contents of the package you received as outlined below. If you have any problems or questions with the product, please contact our sales office or representatives.

■ PACKAGE INCLUDES:

Power supply module(1)

■ MODEL NO.

Confirm Model No. marking on the product to be exactly what you ordered.

■ INSTRUCTION MANUAL

This manual describes necessary points of caution when you use this product, including installation, connection and basic maintenance procedures.

POINTS OF CAUTION

■ CONFORMITY WITH EU DIRECTIVES

- This equipment is suitable for Installation Category II (transient voltage 2500V), Measurement Category II (RUN contact output, transient voltage 2500V) and Pollution Degree 2.
- Reinforced insulation (internal power or RUN contact output to power input to FG: 300V) and basic insulation (internal power to RUN contact output: 300V) are maintained. Prior to installation, check that the insulation class of this unit satisfies the system requirements.
- The equipment must be mounted inside a panel.
- Altitude up to 2000 meters.
- The equipment must be installed such that appropriate clearance and creepage distances are maintained to conform to CE requirements. Failure to observe these requirements may invalidate the CE conformance.
- The actual installation environments such as panel configurations, connected devices, connected wires, may affect the protection level of this unit when it is integrated in a panel system. The user may have to review the CE requirements in regard to the whole system and employ additional protective measures to ensure the CE conformity.
- Install lightning surge protectors for those wires connected to remote locations.

■ POWER INPUT RATING & OPERATIONAL RANGE

- Locate the power input rating marked on the product and confirm its operational range as indicated below:
100 – 240V AC rating: 90 – 264V, 47 – 66 Hz,
approx. 35VA

■ GENERAL PRECAUTIONS

- Before you remove the unit from its base or mount it, turn off the power supply for safety.

■ ENVIRONMENT

- Indoor use.
- When heavy dust or metal particles are present in the air, install the unit inside proper housing with sufficient ventilation.
- Do not install the unit where it is subjected to continuous vibration. Do not subject the unit to physical impact.
- Environmental temperature must be within -10 to +55°C (14 to 131°F) with relative humidity within 30 to 90% RH in order to ensure adequate life span and operation.
- Be sure that the ventilation slits are not covered with cables, etc.
- Keep space of at less 1 cm (0.4 inches) on the left side of the power supply.

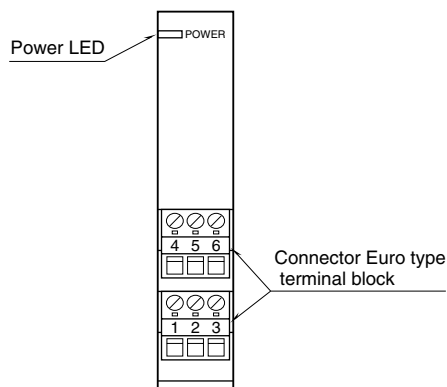
■ WIRING

- Do not install cables close to noise sources (relay drive cable, high frequency line, etc.).
- Do not bind these cables together with those in which noises are present. Do not install them in the same duct.

■ AND

- The unit is designed to function as soon as power is supplied, however, a warm up for 10 minutes is required for satisfying complete performance described in the data sheet.

COMPONENT IDENTIFICATION



■ INDICATOR LED

| ID | COLOR | FUNCTION |
|-------|-----------|------------------------------------------------|
| Power | OFF | Power supply off |
| | Green ON | Power supply on Abnormal communication |
| | Orange ON | Power supply on Normal communication status |

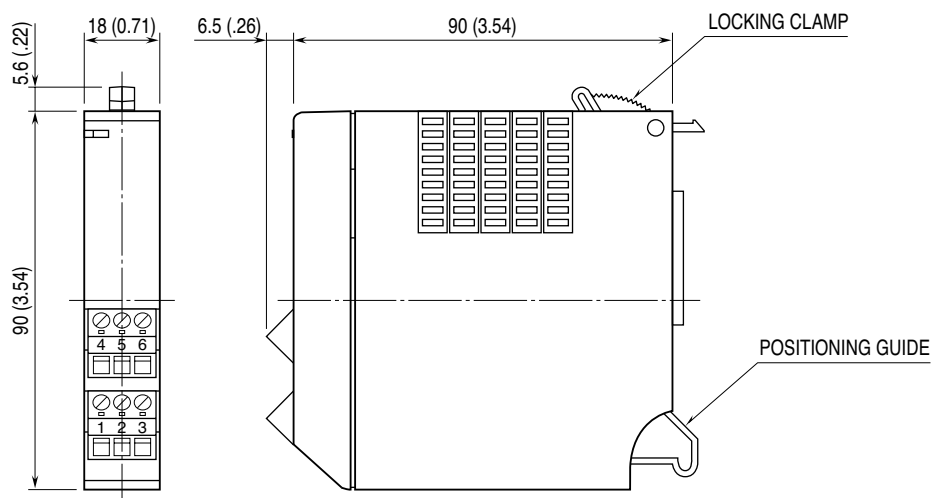
INSTALLATION

Use the Installation Base (model: R6x-BS8B). In order to remove this module from a base, push the locking clamp with a minus screwdriver.

TERMINAL CONNECTIONS

Connect the unit as in the diagram below.

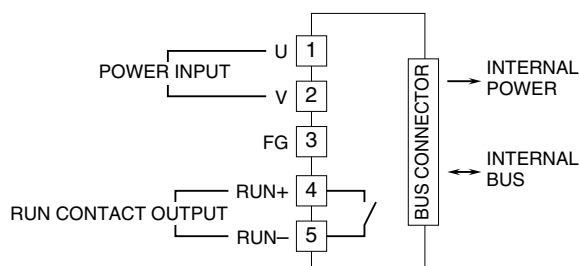
EXTERNAL DIMENSIONS unit: mm (inch)



CONNECTION DIAGRAM

Note: In order to improve EMC performance, bond the FG terminal to ground.

Caution: FG terminal is NOT a protective conductor terminal.



WIRING INSTRUCTIONS

Applicable wire size: 0.2 to 2.5 mm² (AWG24 to 12)

Stripped length: 7 mm

(Tinning wire ends may cause contact failure and therefore is not recommended.)

CURRENT CONSUMPTION

The network module and I/O modules operate with 24 V DC power supply via the power supply module. The total current consumption of the network module and I/O modules is required to be not more than the continuance output current (400 mA) of the power supply module. If the total current consumption exceeds the capacity of the power supply module, change the combination of I/O modules or reduce the number of I/O modules.

| MODEL NO. | MAX. CURRENT (mA) |
|-----------|-------------------|
| R6x-SV2 | 20 |
| R6x-SS2 | 20 |
| R6x-TS2 | 20 |
| R6x-TS2A | 20 |
| R6x-RS2 | 20 |
| R6x-DS1 | 55 |
| R6x-YV2 | 25 |
| R6x-YS2 | 45 |
| R6x-DA4 | 10 |
| R6x-DC4A | 20 |
| R6x-DC4B | 20 |
| R6-NC1 | 110 |
| R6-NC3 | 110 |
| R6-ND1 | 40 |
| R6-NE1 | 75 |
| R6-NE2 | 75 |
| R6-NM1 | 50 |
| R6-NM2 | 50 |
| R6-NF1 | 100 |
| R6-NP1 | 100 |

RUN CONTACT OUTPUT

Terminals (4 – 5) turns on in normal communications with the host PLC.

Terminals (4 – 5) turns off in an abnormal communication status.