

<p><b>POWER SUPPLY MODULE</b> (Tension clamp)</p>	<p>MODEL <b>R6S-PF1</b></p>
---	-----------------------------

**BEFORE USE ....**

Thank you for choosing us. Before use, please check contents of the package you received as outlined below. If you have any problems or questions with the product, please contact our sales office or representatives.

**■ PACKAGE INCLUDES:**

Power supply module .....(1)

**■ MODEL NO.**

Confirm Model No. marking on the product to be exactly what you ordered.

**■ INSTRUCTION MANUAL**

This manual describes necessary points of caution when you use this product, including installation, connection and basic maintenance procedures.

**POINTS OF CAUTION**

**■ CONFORMITY WITH EU DIRECTIVES**

- This equipment is suitable for Pollution Degree 2 and Measurement Category II (RUN contact output, transient voltage 2500V). Reinforced insulation (RUN contact output to internal bus or power supply: 300V) is maintained. Prior to installation, check that the insulation class of this unit satisfies the system requirements.
- Altitude up to 2000 meters.
- The equipment must be mounted inside a panel.
- The equipment must be installed such that appropriate clearance and creepage distances are maintained to conform to CE requirements. Failure to observe these requirements may invalidate the CE conformance.
- The actual installation environments such as panel configurations, connected devices, connected wires, may affect the protection level of this unit when it is integrated in a panel system. The user may have to review the CE requirements in regard to the whole system and employ additional protective measures to ensure the CE conformity.
- Install lightning surge protectors for those wires connected to remote locations.

**■ POWER INPUT RATING & OPERATIONAL RANGE**

- Locate the power input rating marked on the product and confirm its operational range as indicated below:  
24V DC rating: 24V ±10%, approx. 1A

**■ GENERAL PRECAUTIONS**

- Before you remove the unit from its base or mount it, turn off the power supply for safety.

**■ ENVIRONMENT**

- Indoor use.
- When heavy dust or metal particles are present in the air, install the unit inside proper housing with sufficient ventilation.

- Do not install the unit where it is subjected to continuous vibration. Do not subject the unit to physical impact.
- Environmental temperature must be within -10 to +55°C (14 to 131°F) with relative humidity within 30 to 90% RH in order to ensure adequate life span and operation.

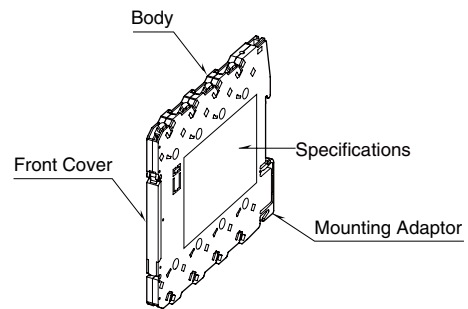
**■ WIRING**

- Do not install cables close to noise sources (relay drive cable, high frequency line, etc.).
- Do not bind these cables together with those in which noises are present. Do not install them in the same duct.

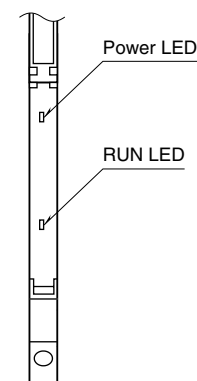
**■ AND ....**

- The unit is designed to function as soon as power is supplied, however, a warm up for 10 minutes is required for satisfying complete performance described in the data sheet.

**COMPONENT IDENTIFICATION**



**■ FRONT PANEL CONFIGURATION (with the cover open)**



**■ INDICATOR LED**

ID	COLOR	FUNCTION
Power	OFF	Power supply is off
	Green ON	Power supply is on.
RUN	OFF	Abnormal communication status
	Orange ON	Normal communication status

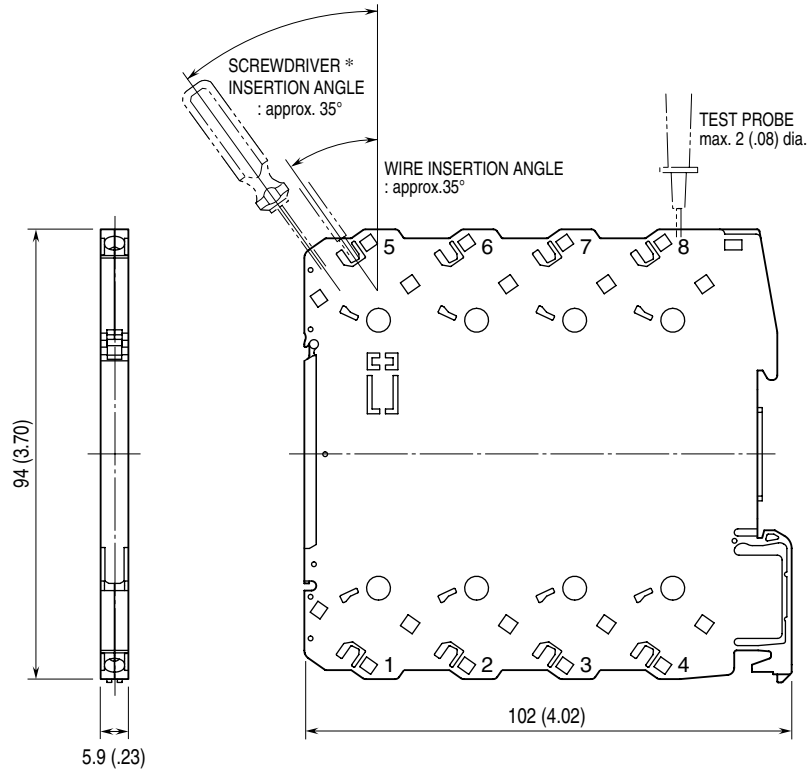
**INSTALLATION**

Mount the unit on the base (model: R6S-BS).

## TERMINAL CONNECTIONS

Connect the unit as in the diagram below or refer to the connection diagram on the side of the unit.

### EXTERNAL DIMENSIONS unit: mm (inch)

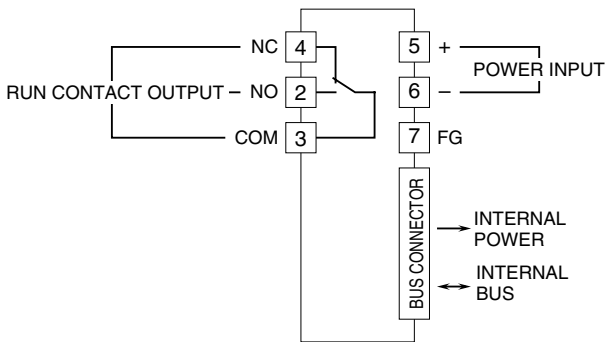


\*Use a minus screwdriver: tip width 3.8 mm max., tip thickness 0.5 to 0.6 mm

### CONNECTION DIAGRAM

Note: In order to improve EMC performance, bond the FG terminal to ground.

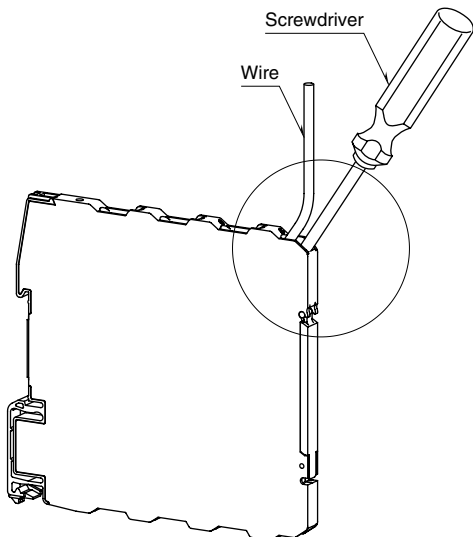
Caution: FG terminal is NOT a protective conductor terminal.



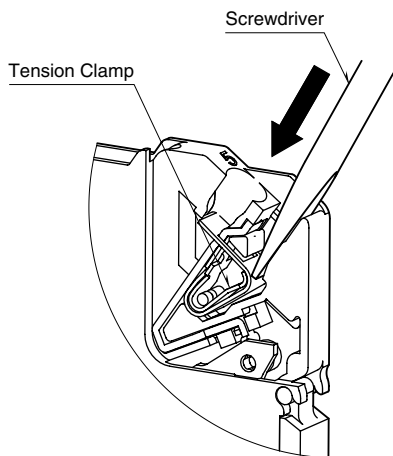
## ■ WIRING INSTRUCTIONS

- Applicable wire size
  - Solid: 0.2 to 2.5 mm<sup>2</sup> (0.55 to 1.75 dia.)
  - Stranded: 0.2 to 2.5 mm<sup>2</sup> (Tinning wire ends may cause contact failure and therefore is not recommended.)
  - Ferruled: 0.2 to 1.5 mm<sup>2</sup> (0.55 to 1.35 dia.)
- Expose wire conductors by 8 mm (0.31").

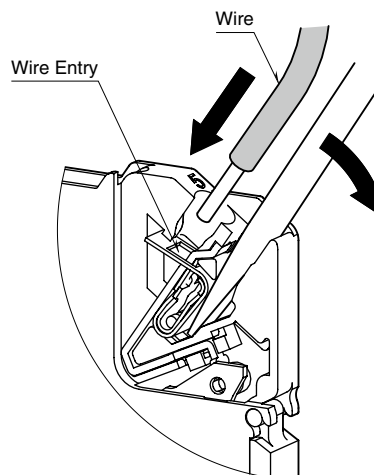
### • How to Connect Wires



- 1) Insert a minus screwdriver into the wire entry opening, between the clamp and the housing, until its tip hits the bottom where it is firmly held.

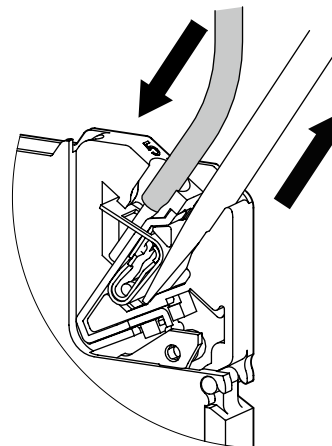


- 2) Insert a wire. Push the screwdriver toward the direction indicated with the arrow in the figure below to widen the opening if necessary.



- 3) Confirm that the wire tip hits the bottom and pull out the screwdriver in holding it in position.

Confirm that the wire's insulation tube is not caught in the clamp.



## CURRENT CONSUMPTION

The network module and I/O modules operate with 24V DC power supply via the power supply module. The total current consumption of the network module and I/O modules is required to be not more than 1A. If the total current consumption exceeds 1A, change the combination of I/O modules or reduce the number of I/O modules.

MODEL NO.	MAX. CURRENT (mA)
R6x-SV2	20
R6x-SS2	20
R6x-TS2	20
R6x-TS2A	20
R6x-RS2	20
R6x-DS1	55
R6x-YV2	25
R6x-YS2	45
R6x-DA4	10
R6x-DC4A	20
R6x-DC4B	20
R6-NC1	110
R6-NC3	110
R6-ND1	40
R6-NE1	75
R6-NE2	75
R6-NM1	50
R6-NM2	50
R6-NF1	100
R6-NP1	100

## RUN CONTACT OUTPUT

Terminals (2 – 3) turns on and (4 – 3) off in normal communications with the host PLC.

Terminals (2 – 3) turns off and (4 – 3) on in an abnormal communication status.