

**DC VOLTAGE OUTPUT MODULE, 2 points
(Tension clamp)**

MODEL **R6S-YV2**

BEFORE USE

Thank you for choosing us. Before use, please check contents of the package you received as outlined below. If you have any problems or questions with the product, please contact our sales office or representatives.

■ PACKAGE INCLUDES:

DC voltage output module.....(1)

■ MODEL NO.

Confirm Model No. marking on the product to be exactly what you ordered.

■ INSTRUCTION MANUAL

This manual describes necessary points of caution when you use this product, including installation, connection and basic maintenance procedures.

The unit is programmable using the PC Configurator Software. For detailed information on the PC configuration, refer to the R6CON users manual. The R6CON PC Configurator Software is downloadable at our web site.

POINTS OF CAUTION

■ CONFORMITY WITH EU DIRECTIVES

- The equipment must be mounted inside a panel.
- Insert a noise filter for the output and communication line connected to the unit. NEC TOKIN Model ESD-SR-250 or equivalent is recommended.
- The actual installation environments such as panel configurations, connected devices, connected wires, may affect the protection level of this unit when it is integrated in a panel system. The user may have to review the CE requirements in regard to the whole system and employ additional protective measures to ensure the CE conformity.
- Install lightning surge protectors for those wires connected to remote locations.

■ HOT INSERTION/REMOVAL OF MODULES

- Removing or replacing modules does not affect other modules on the same backplane. It is possible to replace them without removing the power supply. However, replacing multiple modules at once may greatly change line voltage levels. We recommend that you replace them one by one.

■ GENERAL PRECAUTIONS

- Do NOT set the switches while the power is supplied. The switches are used only for maintenance without the power.

■ ENVIRONMENT

- Indoor use.
- When heavy dust or metal particles are present in the air, install the unit inside proper housing with sufficient ventilation.
- Do not install the unit where it is subjected to continuous vibration. Do not subject the unit to physical impact.
- Environmental temperature must be within -10 to +55°C (14 to 131°F) with relative humidity within 30 to 90% RH in order to ensure adequate life span and operation.

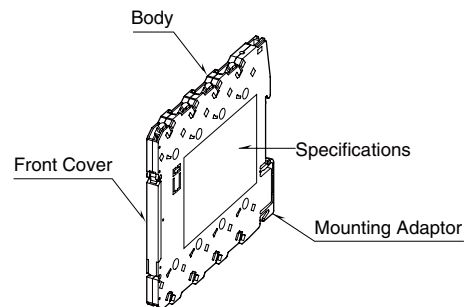
■ WIRING

- Do not install cables close to noise sources (relay drive cable, high frequency line, etc.).
- Do not bind these cables together with those in which noises are present. Do not install them in the same duct.

■ AND

- The unit is designed to function as soon as power is supplied, however, a warm up for 10 minutes is required for satisfying complete performance described in the data sheet.

COMPONENT IDENTIFICATION

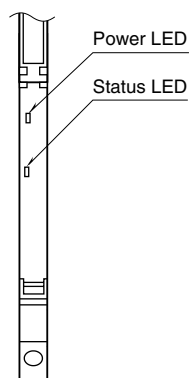


INSTALLATION

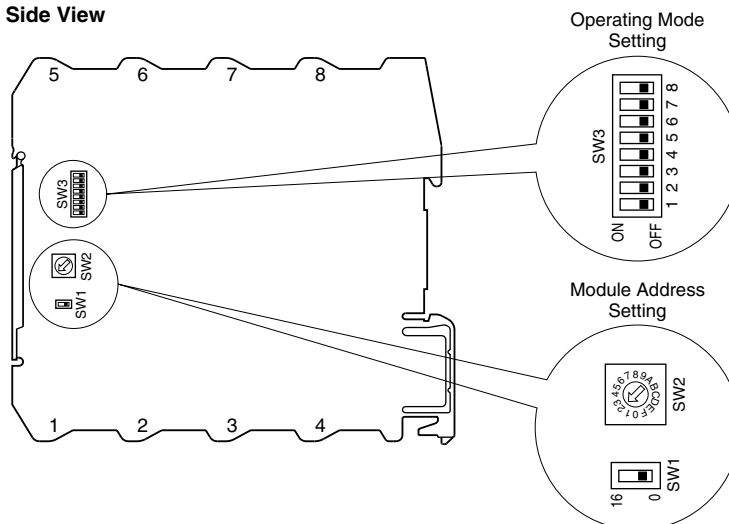
Mount the unit on the base (model: R6S-BS).

EXTERNAL VIEWS

• Front View (cover opened)



• Side View



■ INDICATOR LED

ID	COLOR	FUNCTION
Power	OFF	Power supply is off
	Green ON	Power supply is on.
Status	OFF	Standing by (at the startup) or communication error
	Green ON	Normal communication
	Green blink	Configuration mode
	Red ON	DIP switch error
	Red blink 2 sec. interval	Parameter error
	Red blink 0.5 sec. interval	Analog output overrange ($\leq -15\%$ or $\geq 115\%$)

■ MODULE ADDRESS

Module address is selectable between 0 and 31. Choose 0 or 16 with SW1 for offsetting the address selected with SW2 (0 to F, hexadecimal).

The module's slot position on the base and the module address are not necessarily correlated.

ADDRESS	SW1	SW2	ADDRESS	SW1	SW2
0	0	0	16	16	0
1	0	1	17	16	1
2	0	2	18	16	2
3	0	3	19	16	3
4	0	4	20	16	4
5	0	5	21	16	5
6	0	6	22	16	6
7	0	7	23	16	7
8	0	8	24	16	8
9	0	9	25	16	9
10	0	A	26	16	A
11	0	B	27	16	B
12	0	C	28	16	C
13	0	D	29	16	D
14	0	E	30	16	E
15	0	F	31	16	F

■ OPERATING MODE

(*) Factory setting

• Output Range

RANGE	OUTPUT 1			OUTPUT 2		
	SW3					
	1	2	3	4	5	6
-10 – +10 V DC (*)						
-5 – +5 V DC	■			■		
-1 – +1 V DC		■			■	
0 – 10 V DC	■	■		■	■	
0 – 5 V DC			■			■
1 – 5 V DC	■		■	■		■
0 – 1 V DC		■	■		■	■
-0.5 – +0.5 V DC	■	■	■	■	■	■

■ = ON, Blank = OFF

• Output Function at the Loss of Communication

OUTPUT FUNCTION AT THE LOSS OF COMMUNICATION	SW3-7
Hold the last normally received data) (*)	
Reset to -15% or -11.5 V of the output range	■

■ = ON, Blank = OFF

• Configuration Mode

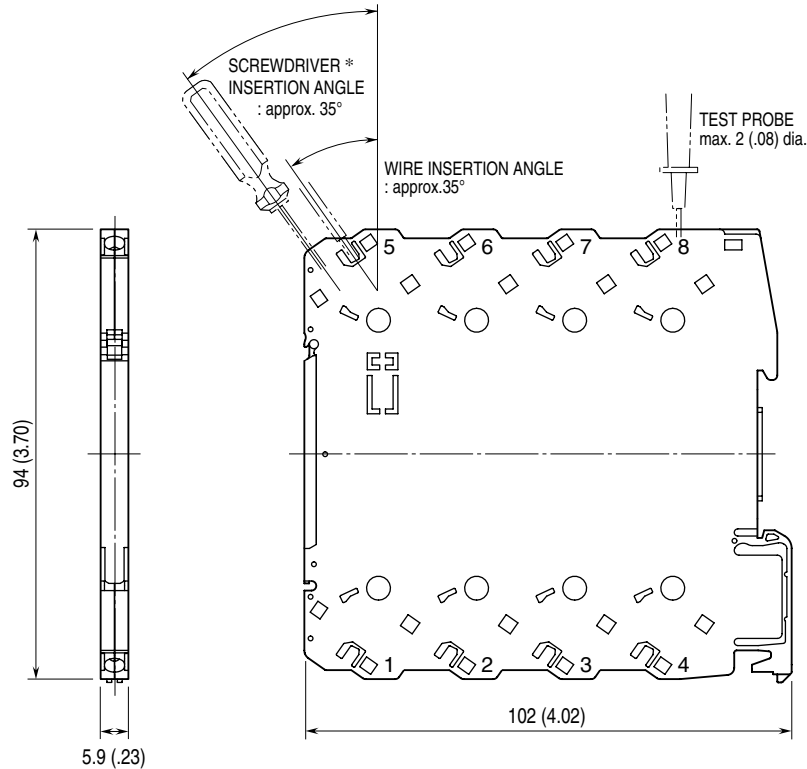
CONFIGURATION MODE	SW3-8
DIP SW (*)	
PC	■

■ = ON, Blank = OFF

TERMINAL CONNECTIONS

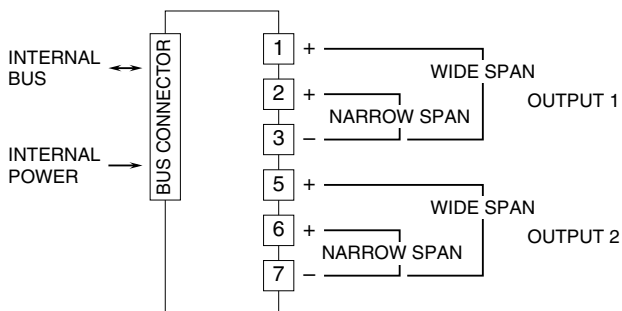
Connect the unit as in the diagram below or refer to the connection diagram on the side of the unit.

EXTERNAL DIMENSIONS unit: mm (inch)



*Use a minus screwdriver: tip width 3.8 mm max., tip thickness 0.5 to 0.6 mm

CONNECTION DIAGRAM

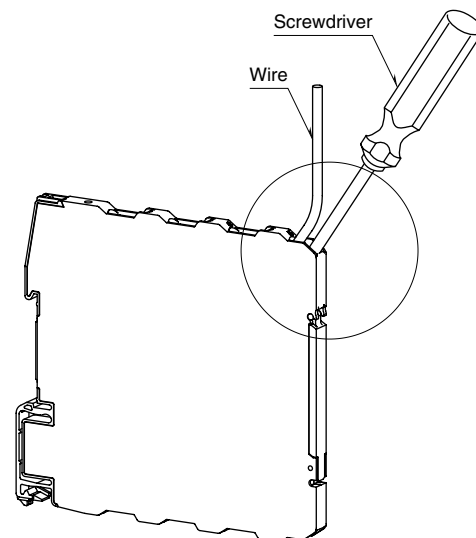


- **Wide span:** -10 – +10 V DC, -5 – +5 V DC, 0 – 10 V DC, 0 – 5 V DC, 1 – 5 V DC
- **Narrow span:** -1 – +1 V DC, -0.5 – +0.5 V DC, 0 – 1 V DC

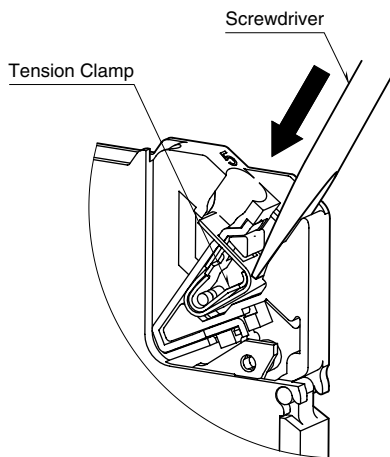
WIRING INSTRUCTIONS

- **Applicable wire size**
 Solid: 0.2 to 2.5 mm² (0.55 to 1.75 dia.)
 Stranded: 0.2 to 2.5 mm² (Tinning wire ends may cause contact failure and therefore is not recommended.)
 Ferruled: 0.2 to 1.5 mm² (0.55 to 1.35 dia.)
- **Expose wire conductors by 8 mm (0.31").**

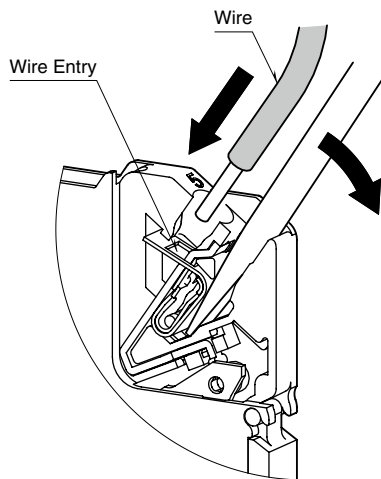
How to Connect Wires



- 1) Insert a minus screwdriver into the wire entry opening, between the clamp and the housing, until its tip hits the bottom where it is firmly held.

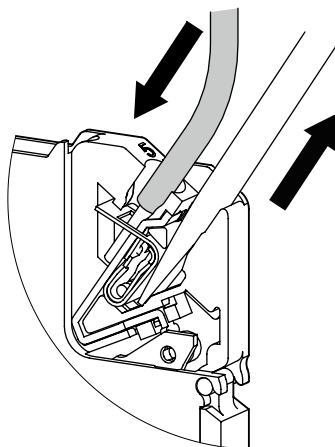


- 2) Insert a wire. Push the screwdriver toward the direction indicated with the arrow in the figure below to widen the opening if necessary.



- 3) Confirm that the wire tip hits the bottom and pull out the screwdriver in holding it in position.

Confirm that the wire's insulation tube is not caught in the clamp.



PC CONFIGURATOR

With configurator software, settings shown below are available.

Refer to the software manual of R6CON for detailed operation.

■ CHANNEL INDIVIDUAL SETTING

PARAMETER	AVAILABLE RANGE	DEFAULT SETTING
Output range	-10 to +10 V DC, -1 to +1 V DC	-10 to +10 V DC
Lower range value	-10.00 to +10.00 (V) -1.00 to +1.00 (V)	-10.00 (V)
Upper range value	-10.00 to +10.00 (V) -1.00 to +1.00 (V)	10.00 (V)
Fine zero adjustment	-320.00 to +320.00 (%)	0.00 (%)
Fine gain adjustment	-3.2000 to +3.2000	1.0000
Scaled range Zero	-32000 to +32000	0
Scaled range Span	-32000 to +32000	10000
Initial output at the startup (scaled range)	-32000 to +32000	0
Fixed output at the loss of communication (scaled range)	-32000 to +32000	-1500

■ CHANNEL BATCH SETTING

PARAMETER	AVAILABLE RANGE	DEFAULT SETTING
Loss of internal bus communication detection time	0.0 – 99.9 (sec.)	1.0 (sec.)
Output function at the loss of communication	Hold the last normally received data Fixed output as specified	Hold the last normally received data

FUNCTIONS

■ OUTPUT HOLD

The output function in case of a loss of communication is selectable with the side DIP SW: Reset the output (to -15% or -11.5 V), Hold the output (last normally received data) or Fix the output at a specific value (PC programming).

The output is held at -11.5 V or -15% of the output range until normal data is received at the startup.