

EtherNet/IP I/O MODULE

(NPN discrete input, 16 points, tension clamp terminal block)

MODEL **R7F4HEIP-DA16A****BEFORE USE**

Thank you for choosing us. Before use, please check contents of the package you received as outlined below.

If you have any problems or questions with the product, please contact our sales office or representatives.

■ PACKAGE INCLUDES:

Discrete input module.....(1)
DIN rail mounter slider.....(2)

■ MODEL NO.

Confirm Model No. marking on the product to be exactly what you ordered.

■ INSTRUCTION MANUAL

This manual describes necessary points of caution when you use this product, including installation, connection and basic maintenance procedures.

■ EDS FILE

EDS files are downloadable at our web site.

POINTS OF CAUTION**■ CONFORMITY WITH EU DIRECTIVES**

- The equipment must be mounted inside the instrument panel of a metal enclosure.
- The actual installation environments such as panel configurations, connected devices, connected wires, may affect the protection level of this unit when it is integrated in a panel system. The user may have to review the CE requirements in regard to the whole system and employ additional protective measures to ensure the CE conformity.

■ POWER INPUT RATING & OPERATIONAL RANGE

- Locate the power input rating marked on the product and confirm its operational range as indicated below:
24V DC rating: 24V \pm 10%, approx. 70mA

■ GENERAL PRECAUTIONS

- Before you remove the unit or mount it, turn off the power supply and input signal for safety.
- Before you remove the terminal block or mount it, make sure to turn off the power supply and input signal for safety.
- DO NOT set the switches on the module while the power is supplied. The switches are used only for maintenance without the power.

■ ENVIRONMENT

- Indoor use.
- When heavy dust or metal particles are present in the air, install the unit inside proper housing with sufficient ventilation.
- Do not install the unit where it is subjected to continuous vibration. Do not subject the unit to physical impact.
- Environmental temperature must be within -10 to +55°C (14 to 131°F) with relative humidity within 30 to 90% RH in order to ensure adequate life span and operation.
- Observe at the minimum of 10 mm left and right the units for heat dissipation when mounting vertically.

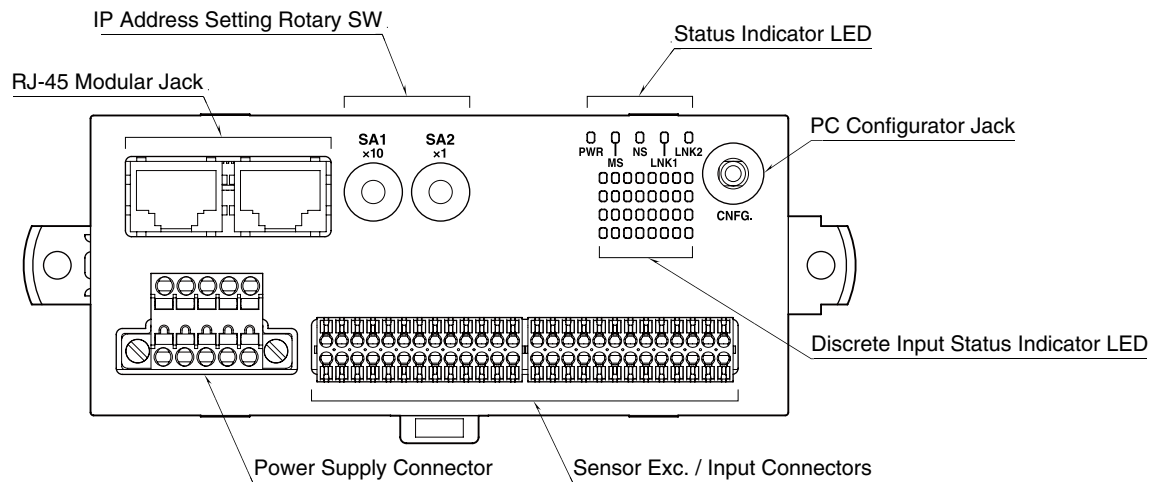
■ WIRING

- Do not install cables close to noise sources (relay drive cable, high frequency line, etc.).
- Do not bind these cables together with those in which noises are present. Do not install them in the same duct.
- Be sure to close the terminal cover for safety.

■ AND

- The unit is designed to function as soon as power is supplied, however, a warm up for 10 minutes is required for satisfying complete performance described in the data sheet.

COMPONENT IDENTIFICATION



■ STATUS INDICATOR LED

| ID | STATUS | COLOR | FUNCTION |
|------|----------|-------|--|
| PWR | ON | Green | The internal power is supplied normally. |
| MS | ON | Green | Operating in a normal condition |
| | Blinking | Red | Duplicated IP address, Internal data error |
| NS | ON | Green | Link on-line and connections in the established state |
| | Blinking | | Link on-line but no connections in the established state |
| | ON | Red | Duplicated IP address |
| | Blinking | | Communication timeout |
| LNK1 | ON | Green | LNK1 is established |
| LNK2 | ON | Green | LNK2 is established |

■ DISCRETE INPUT STATUS INDICATOR LED

LED green indicators shows the signal status.

ON : LED ON

OFF : LED OFF

■ IP ADDRESS

Set the host address (2-digit hexadecimal number) in the IP address using rotary switches SA1 and SA2 for the first digit and the second digit, respectively.

When using the host address in the IP address set on the PC configurator software (model: R7CFG), set the switches to '00H'.

When the network address, Subnet Mask, and Default Gateway need to be changed, do so on R7CFG.

(Setting range: 00H – FFH)

(Factory setting: 00H)



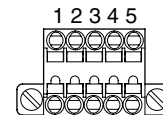
■ POWER SUPPLY TERMINAL ASSIGNMENT

Applicable connector: TFCM1,5 / 5–STF–3,5(Phoenix Contact)
(included in the package)

Applicable wire size: 0.2 – 1.5 mm²; stripped length 10 mm

Recommended solderless terminal

- AI0,25-10YE 0.25 mm² (Phoenix Contact)
- AI0,34-10TQ 0.34 mm² (Phoenix Contact)
- AI0,5-10WH 0.5 mm² (Phoenix Contact)
- AI0,75-10GY 0.75 mm² (Phoenix Contact)
- AI-10 1.0 mm² (Phoenix Contact)
- AI,5-10 1.5 mm² (Phoenix Contact)



- | | |
|---------|----------------------|
| 1. FE | Functional Earth |
| 2. NC | — |
| 3. NC | — |
| 4. +24V | Power Input (24V DC) |
| 5. 0V | Power Input (0V) |

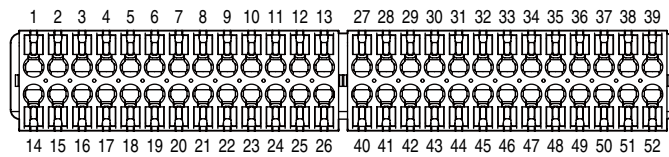
■ SENSOR EXC. AND INPUT TERMINAL ASSIGNMENTS

Applicable connector: DFMC0,5/13-ST-2,54 (Phoenix Contact) (included in the package)

Applicable wire size: 0.14 - 0.5mm², stripped length 7mm

Recommended solderless terminal:

- AI0,14-6GY 0.14mm² (Phoenix Contact)
- AI0,25-6YE 0.25mm² (Phoenix Contact)
- AO,34-7 0.34mm² (Phoenix Contact)



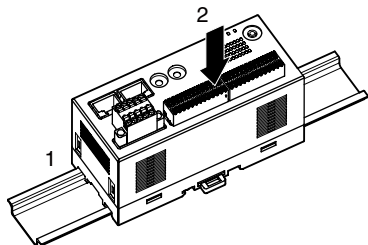
| PIN No. | ID | FUNCTION | PIN No. | ID | FUNCTION |
|---------|-------|----------|---------|-------|----------|
| 1 | +24V1 | 24V DC | 27 | +24V2 | 24V DC |
| 2 | X0 | Input 0 | 28 | X8 | Input 8 |
| 3 | +24V1 | 24V DC | 29 | +24V2 | 24V DC |
| 4 | GND1 | 0V | 30 | GND2 | 0V |
| 5 | X2 | Input 2 | 31 | X10 | Input 10 |
| 6 | +24V1 | 24V DC | 32 | +24V2 | 24V DC |
| 7 | GND1 | 0V | 33 | GND2 | 0V |
| 8 | X4 | Input 4 | 34 | X12 | Input 12 |
| 9 | +24V1 | 24V DC | 35 | +24V2 | 24V DC |
| 10 | GND1 | 0V | 36 | GND2 | 0V |
| 11 | X6 | Input 6 | 37 | X14 | Input 14 |
| 12 | +24V1 | 24V DC | 38 | +24V2 | 24V DC |
| 13 | GND1 | 0V | 39 | GND2 | 0V |
| | | | | | |
| PIN No. | ID | FUNCTION | PIN No. | ID | FUNCTION |
| 14 | GND1 | 0V | 40 | GND2 | 0V |
| 15 | X1 | Input 1 | 41 | X9 | Input 9 |
| 16 | +24V1 | 24V DC | 42 | +24V2 | 24V DC |
| 17 | GND1 | 0V | 43 | GND2 | 0V |
| 18 | X3 | Input 3 | 44 | X11 | Input 11 |
| 19 | +24V1 | 24V DC | 45 | +24V2 | 24V DC |
| 20 | GND1 | 0V | 46 | GND2 | 0V |
| 21 | X5 | Input 5 | 47 | X13 | Input 13 |
| 22 | +24V1 | 24V DC | 48 | +24V2 | 24V DC |
| 23 | GND1 | 0V | 49 | GND2 | 0V |
| 24 | X7 | Input 7 | 50 | X15 | Input 15 |
| 25 | +24V1 | 24V DC | 51 | +24V2 | 24V DC |
| 26 | GND1 | 0V | 52 | GND2 | 0V |

MOUNTING INSTRUCTIONS

■ DIN RAIL MOUNTING (PARALLEL)

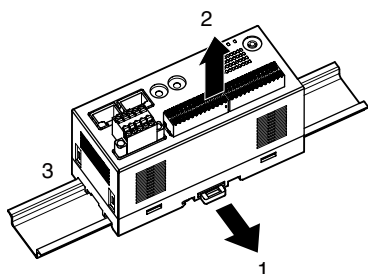
• Mounting

- 1) Set the upper hook at the rear side of the unit on the DIN rail.
- 2) Push the lower part in.



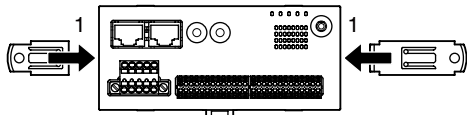
• Dismounting

- 1) Push down the DIN rail munter slider with the tip of a flat-blade screwdriver.
- 2) Pull the lower part of the unit.
- 3) Remove the upper hook of the unit from the DIN rail.

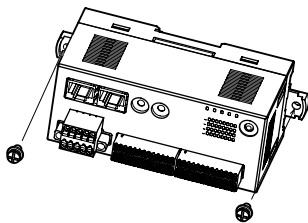


■ SURFACE MOUNTING

- 1) Insert the two DIN rail munter sliders until it clicks once, as shown below.



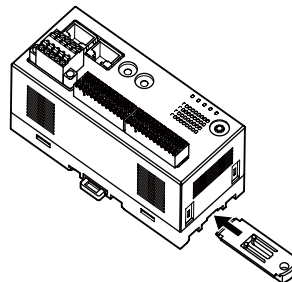
- 2) Mount the unit with M4 screws referring to the External Dimensions. (Torque: 1.4 N·m)



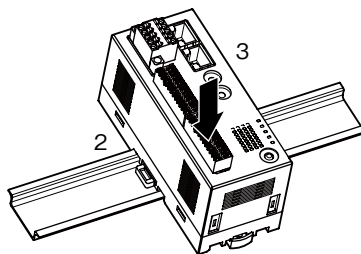
■ DIN RAIL MOUNTING (RIGHT ANGLE)

• Mounting

- 1) Insert the longer DIN rail munter slider until it clicks twice, as shown below.

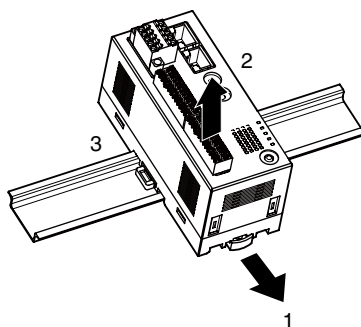


- 2) Set the upper hook at the rear side of the unit on the DIN rail.
- 3) Push the lower part in.



• Dismounting

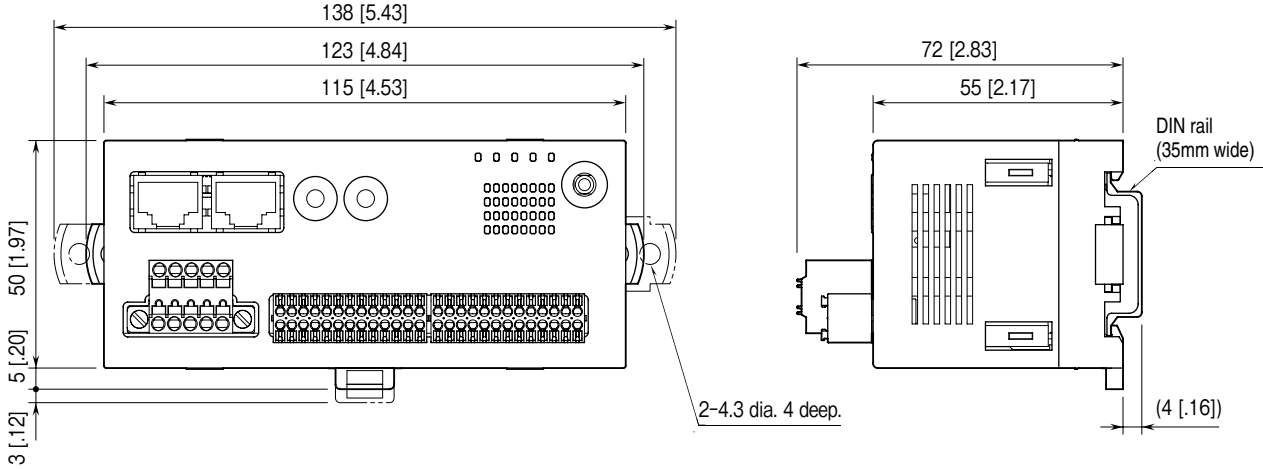
- 1) Push down the DIN rail munter slider with the tip of a flat-blade screwdriver.
- 2) Pull the lower part of the unit.
- 3) Remove the upper hook of the unit from the DIN rail.



TERMINAL CONNECTIONS

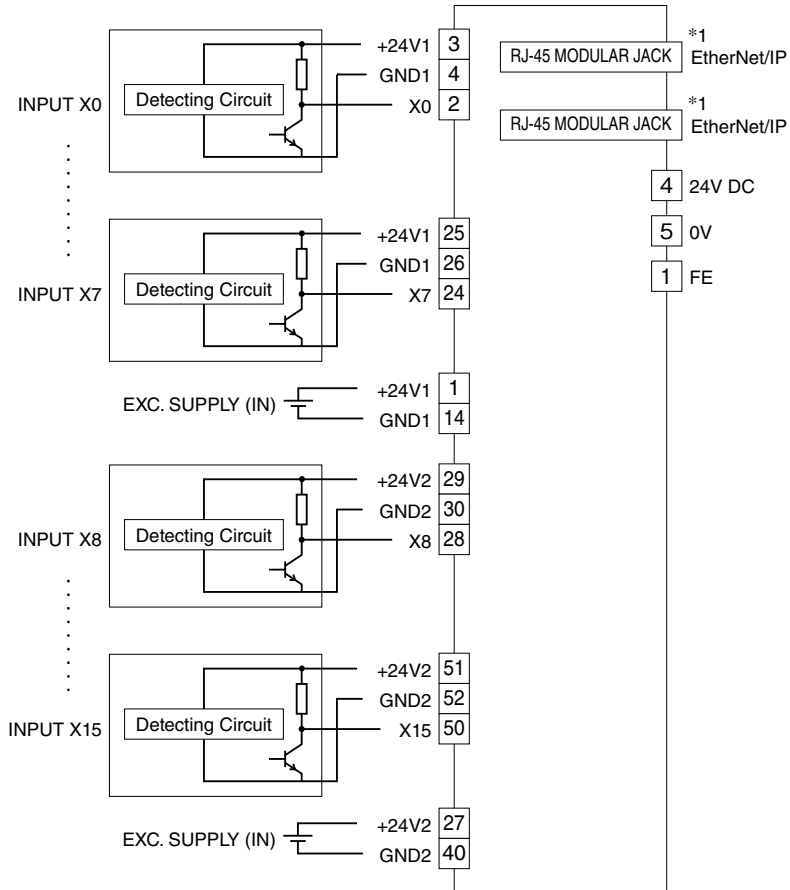
Connect the unit as in the diagram below.

EXTERNAL DIMENSIONS unit: mm [inch]



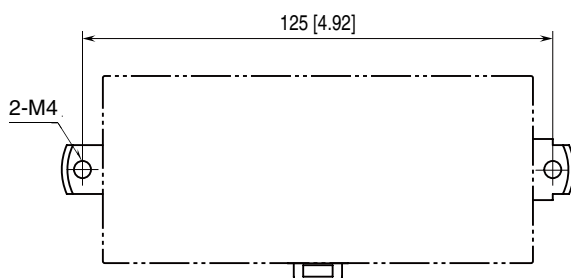
CONNECTION DIAGRAM

Note: In order to improve EMC performance, bond the FE terminal to ground.
 Caution: FE terminal is NOT a protective conductor terminal.



*1. The network cable can be connected to either one.

MOUNTING REQUIREMENTS unit: mm [inch]



PC CONFIGURATOR

The following parameter items can be configured with the PC configurator software (model: R7CFG). Refer to the users manual of the software for detailed operations.

■ CHANNEL BATCH SETTING

| PARAMETER | SETTING RANGE | DEFAULT SETTING |
|-----------------|---|-----------------|
| Conversion rate | 1 ms, 5 ms, 10 ms, 20 ms, 50 ms, 70 ms, 100 ms, 200 ms | 10 ms |

■ ETHERNET SETTING

| PARAMETER | SETTING RANGE | DEFAULT SETTING |
|-----------------|---------------------------|-----------------|
| IP Address | 0.0.0.0 – 255.255.255.255 | 192.168.0.250 |
| Subnet Mask | 0.0.0.0 – 255.255.255.255 | 255.255.255.0 |
| Default Gateway | 0.0.0.0 – 255.255.255.255 | 192.168.0.1 |
| Time Out | 0.0 – 3276.7 (sec.) | 3.0 (sec.) |

CHECKING ETHERNET/IP CONNECTION

■ IP ADDRESS

Set the host address in the IP address using the front rotary switches.

When using the host address in the IP address set on the PC configurator software (model:R7CFG), set the switches to '00H'. When the network address, Subnet Mask, and Default Gateway need to be changed, do so on R7CFG.

■ CHECK WIRING

Connect an Ethernet cable to the front RJ-45 modular jack.

To configure a DLR (Device Level Ring) network, perform wiring so as to form a ring topology.

The DLR network requires at least one node as a ring supervisor.

The customer shall prepare one or more ring supervisors separately as the R7F4HEIP unit does not function as one.

■ CHECK LED

When wiring is correct, LNK1 or LNK2 is turned on.

■ CHECK R7F4HEIP CONNECTION

Enter "ping command" on the Windows MS-DOS as follows:

```
C:\WINDOWS>ping *.*.*.*.*
(*.*.*.*.*: Enter IP address in decimal.)

ping *.*.*.*.* with 32 bytes of data:
Reply from *.*.*.*.* : bytes=32 time<10ms TTL=64
Reply from *.*.*.*.* : bytes=32 time<10ms TTL=64
Reply from *.*.*.*.* : bytes=32 time<10ms TTL=64
Reply from *.*.*.*.* : bytes=32 time<10ms TTL=64

Ping statistics for *.*.*.*.*
Packets:Sent=4,Received=4,Lost=0(0% loss)
```

Replies in case of normal connection are as shown above. If the connection cannot be established normally due to e.g. wrong IP address, other replies such as "time over" will be received.

■ CHECK CONNECTION TO THE APPLICATION SOFTWARE

Check Point 1: LINK LED

LNK1 or LNK2 turns on when the module has established normal connections with PC, PLC, hub, and so on, regardless of data sending/receiving status.

In the case that they are not on, check power supply to the hub.

Check Point 2: MS AND NS INDICATOR

When the module has transmitted/received data correctly to/from the application software, MS and NS indicators turn on in green.

I/O DATA DESCRIPTION

■ DISCRETE INPUT MODULE

