

**BEFORE USE ....**

Thank you for choosing us. Before use, please check contents of the package you received as outlined below.

If you have any problems or questions with the product, please contact our sales office or representatives.

**■ PACKAGE INCLUDES:**

Discrete I/O module .....(1)

**■ MODEL NO.**

Confirm Model No. marking on the product to be exactly what you ordered.

**■ INSTRUCTION MANUAL**

This manual describes necessary points of caution when you use this product, including installation, connection and basic maintenance procedures.

**POINTS OF CAUTION****■ CONFORMITY WITH EC DIRECTIVE**

- Use dual-shield cables (Shinko Seisen Industry Model ZHY262 PBA) for the network. If it is not sufficient, use a ferrite core (Kitagawa Industries Model GRFC-13) for the network cable.
- The equipment must be mounted inside the instrument panel of a metal enclosure.
- The actual installation environments such as panel configurations, connected devices, connected wires, may affect the protection level of this unit when it is integrated in a panel system. The user may have to review the CE requirements in regard to the whole system and employ additional protective measures to ensure the CE conformity.

**■ POWER INPUT RATING & OPERATIONAL RANGE**

- Locate the power input rating marked on the product and confirm its operational range as indicated below:  
24V DC rating: 24V  $\pm$ 10%, approx. 40mA

**■ GENERAL PRECAUTIONS**

- Before you remove the unit or mount it, turn off the power supply, input signal and output signal for safety.
- DO NOT set the switches on the module while the power is supplied. The switches are used only for maintenance without the power.

**■ ENVIRONMENT**

- Indoor use.
- When heavy dust or metal particles are present in the air, install the unit inside proper housing with sufficient ventilation.
- Do not install the unit where it is subjected to continuous vibration. Do not subject the unit to physical impact.
- Environmental temperature must be within -10 to +55°C (14 to 131°F) with relative humidity within 30 to 90% RH in order to ensure adequate life span and operation.

**■ WIRING**

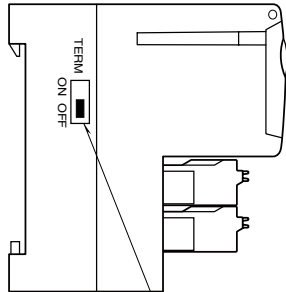
- Do not install cables close to noise sources (relay drive cable, high frequency line, etc.).
- Do not bind these cables together with those in which noises are present. Do not install them in the same duct.

**■ AND ....**

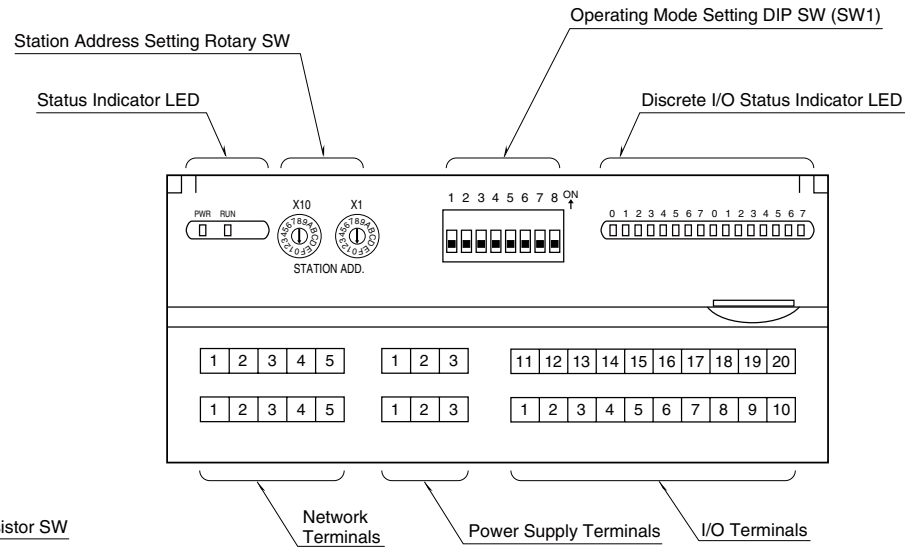
- The unit is designed to function as soon as power is supplied, however, a warm up for 10 minutes is required for satisfying complete performance described in the data sheet.

# COMPONENT IDENTIFICATION

■ SIDE VIEW



■ FRONT VIEW



■ STATUS INDICATOR LED

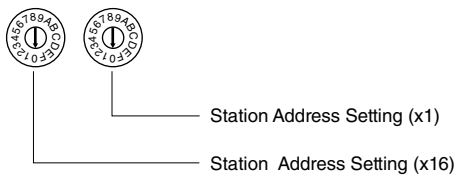
ID	COLOR	FUNCTION
PWR	Green	Turns on when the internal 5V is supplied normally.
RUN	Green	Turns on when the refresh data is received normally.

■ DISCRETE I/O STATUS INDICATOR LED

LED indicators shows the signal status.  
 ON : LED ON (red)  
 OFF : LED OFF

■ STATION ADDRESS

The left switch determines the sixteenths place digit, while the right switch does the ones place digit of the address. (Range: 01H to 3FH)



■ OPERATING MODE

(\*) Factory setting

• Output at the loss of communication (SW1-7)

SW1-7	OUTPUT AT THE LOSS OF COMMUNICATION
OFF	Hold the output (*) (maintains the last data received normally)
ON	Reset the output (turned off)

• Transfer rate (SW1-8)

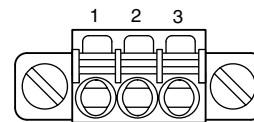
SW1-8	TRANSFER RATE
OFF	12 Mbps (*)
ON	6 Mbps

Note: Be sure to set unused SW1-1 through 1-6 to OFF.

■ TERMINATING RESISTOR

To use the terminating resistor, turn the switch ON, and OFF to invalidate. (Factory setting OFF)

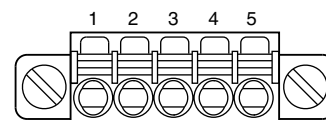
■ POWER SUPPLY TERMINAL ASSIGNMENT



NO.	ID	FUNCTION, NOTES
1	+24V	Power input (24V DC)
2	0V	Power input (0V)
3	FG	FG

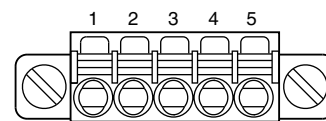
■ NETWORK TERMINAL ASSIGNMENT

• Full-duplex communication



NO.	ID	FUNCTION, NOTES
1	RXD-	Network (master, transmission -)
2	RXD+	Network (master, transmission +)
3	TXD-	Network (slave, transmission -)
4	TXD+	Network (slave, transmission +)
5	SHIELD	Shield

• Half-duplex communication



NO.	ID	FUNCTION, NOTES
1	NC	Unused
2	NC	Unused
3	TR-	Network
4	TR+	Network
5	SHIELD	Shield

## ■ I/O TERMINAL ASSIGNMENT

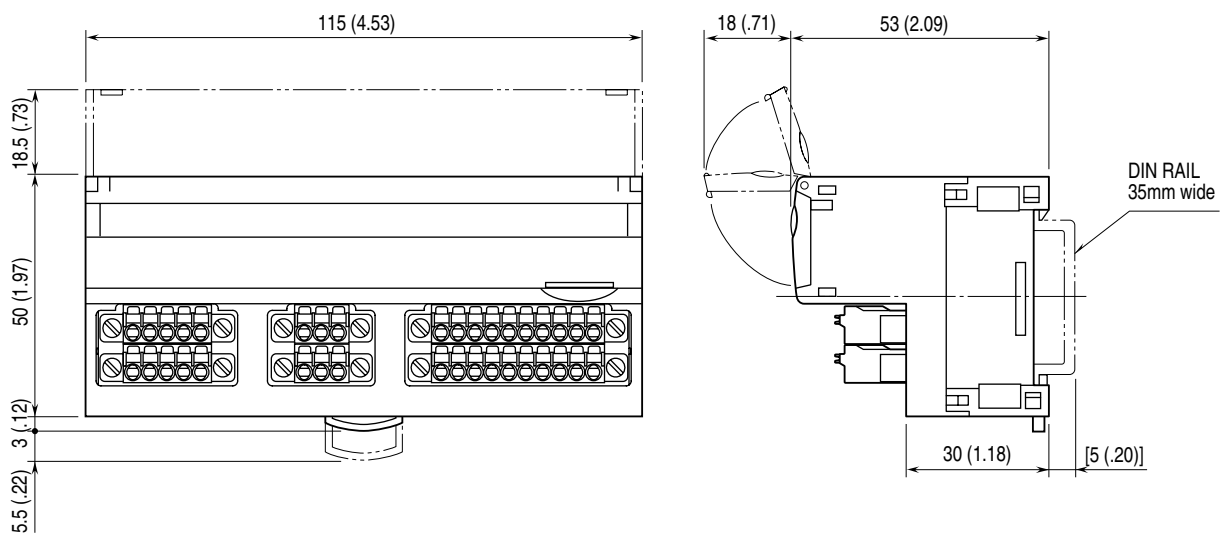
11	12	13	14	15	16	17	18	19	20
COM	X1	X3	X5	X7	Y1	Y3	Y5	Y7	+24V
1	2	3	4	5	6	7	8	9	10
COM	X0	X2	X4	X6	Y0	Y2	Y4	Y6	0V

NO.	ID	FUNCTION	NO.	ID	FUNCTION
1	COM	Input Common	11	COM	Input Common
2	X0	Input 0	12	X1	Input 1
3	X2	Input 2	13	X3	Input 3
4	X4	Input 4	14	X5	Input 5
5	X6	Input 6	15	X7	Input 7
6	Y0	Output 0	16	Y1	Output 1
7	Y2	Output 2	17	Y3	Output 3
8	Y4	Output 4	18	Y5	Output 5
9	Y6	Output 6	19	Y7	Output 7
10	0V	0V (Output common)	20	+24V	24V DC

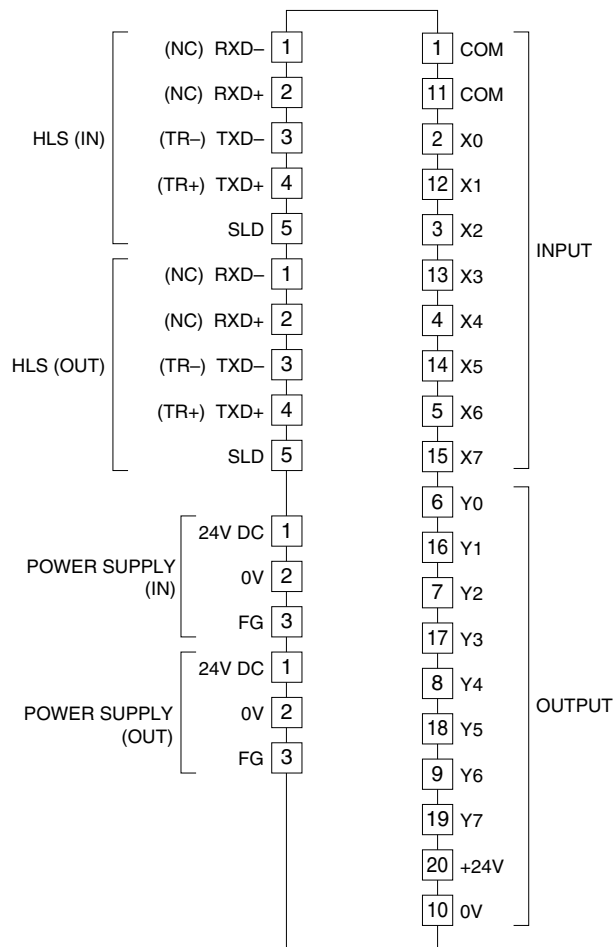
## TERMINAL CONNECTIONS

Connect the unit as in the diagram below.

### ■ EXTERNAL DIMENSIONS unit: mm (inch)

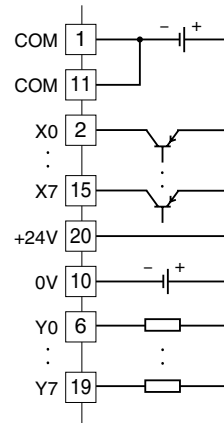


■ CONNECTION DIAGRAM

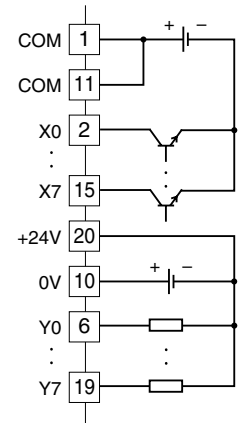


■ I/O Connection Example

PNP Input



NPN Input



Note 1: Terminal numbers in parentheses are for half-duplex communication model.  
 Note 2: In order to improve EMC performance, bond the FG terminal to ground.  
 Caution: FG terminal is NOT a protective conductor terminal.

WIRING INSTRUCTIONS

■ SOLDERLESS TERMINAL

Communication cables:

For ZHY262PS, ZHT262PS and ZHY262PBA: TUB-0.5  
 (Japan solderless Terminal MFG. Co., Ltd.)

For ZHY221PS: AI0,5-10WH (Phoenix Contact)

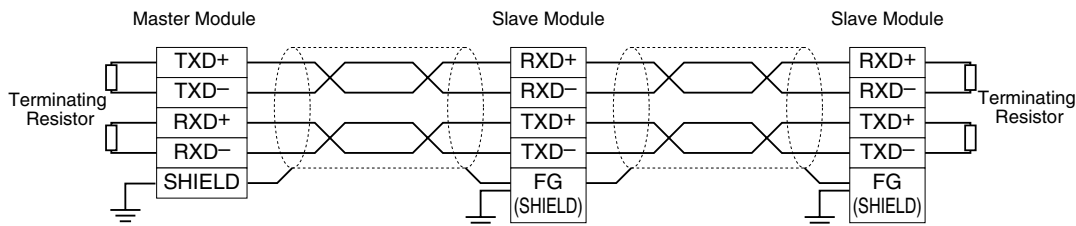
Others:

- AI0,25-12BU 0.25 mm<sup>2</sup>
- AI0,34-12TQ 0.34 mm<sup>2</sup>
- AI0,5-10WH 0.5 mm<sup>2</sup>
- AI0,75-10GY 0.75 mm<sup>2</sup>
- A1-10 1.0 mm<sup>2</sup>
- A1,5-10 1.5 mm<sup>2</sup>

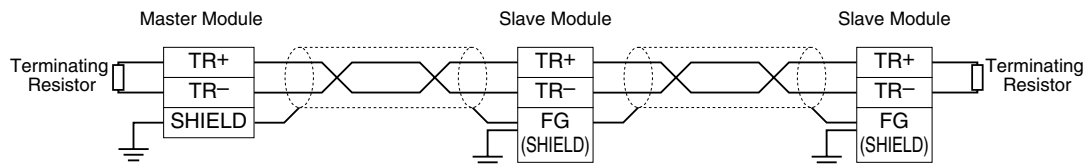
## COMMUNICATION CABLE CONNECTIONS

### MASTER CONNECTION

#### Full-duplex communication



#### Half-duplex communication

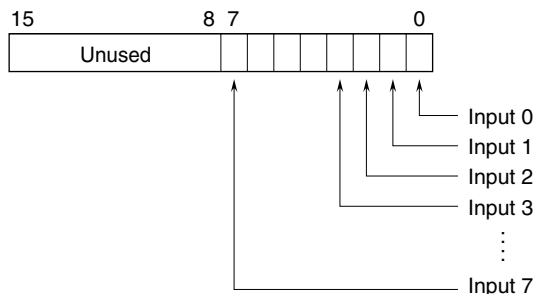


Note: Be sure to turn ON the switch of the terminating resistor located at both ends of the modules.

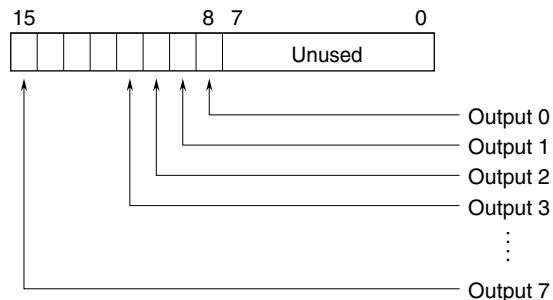
## I/O DATA DESCRIPTIONS

### DISCRETE I/O

#### Di



#### Do



0: OFF

1: ON