

HI-SPEED LINK SYSTEM I/O MODULE**(PNP discrete input & NPN transistor output,
16 points each, e-CON connector)****MODEL R7K4DH-1-DAC32A****BEFORE USE**

Thank you for choosing us. Before use, please check contents of the package you received as outlined below. If you have any problems or questions with the product, please contact our sales office or representatives.

■ PACKAGE INCLUDES:

Discrete I/O module(1)
Surface mounter slider(2)

■ MODEL NO.

Confirm Model No. marking on the product to be exactly what you ordered.

■ INSTRUCTION MANUAL

This manual describes necessary points of caution when you use this product, including installation, connection and basic maintenance procedures.

POINTS OF CAUTION**■ CONFORMITY WITH EU DIRECTIVE**

- Use dual shielded cables (Shinko Seisen Industry Model ZHY262 PBA) for the network. If it is not sufficient, use a ferrite core (Kitagawa Industries Model GRFC-13) for the network cable.
- The equipment must be mounted inside the instrument panel of a metal enclosure.
- The actual installation environments such as panel configurations, connected devices, connected wires, may affect the protection level of this unit when it is integrated in a panel system. The user may have to review the CE requirements in regard to the whole system and employ additional protective measures to ensure the CE conformity.

■ POWER INPUT RATING & OPERATIONAL RANGE

- Locate the power input rating marked on the product and confirm its operational range as indicated below:
24V DC rating: 24V DC $\pm 10\%$, approx. 95mA

■ GENERAL PRECAUTIONS

- Before you remove the unit or mount it, turn off the power supply, input signal and output signal for safety.
- DO NOT set the switches on the module while the power is supplied. The switches are used only for maintenance without the power.

■ ENVIRONMENT

- Indoor use.
- When heavy dust or metal particles are present in the air, install the unit inside proper housing with sufficient ventilation.
- Do not install the unit where it is subjected to continuous vibration. Do not subject the unit to physical impact.
- Environmental temperature must be within -10 to $+55^{\circ}\text{C}$ (14 to 131°F) with relative humidity within 30 to 90% RH in order to ensure adequate life span and operation.

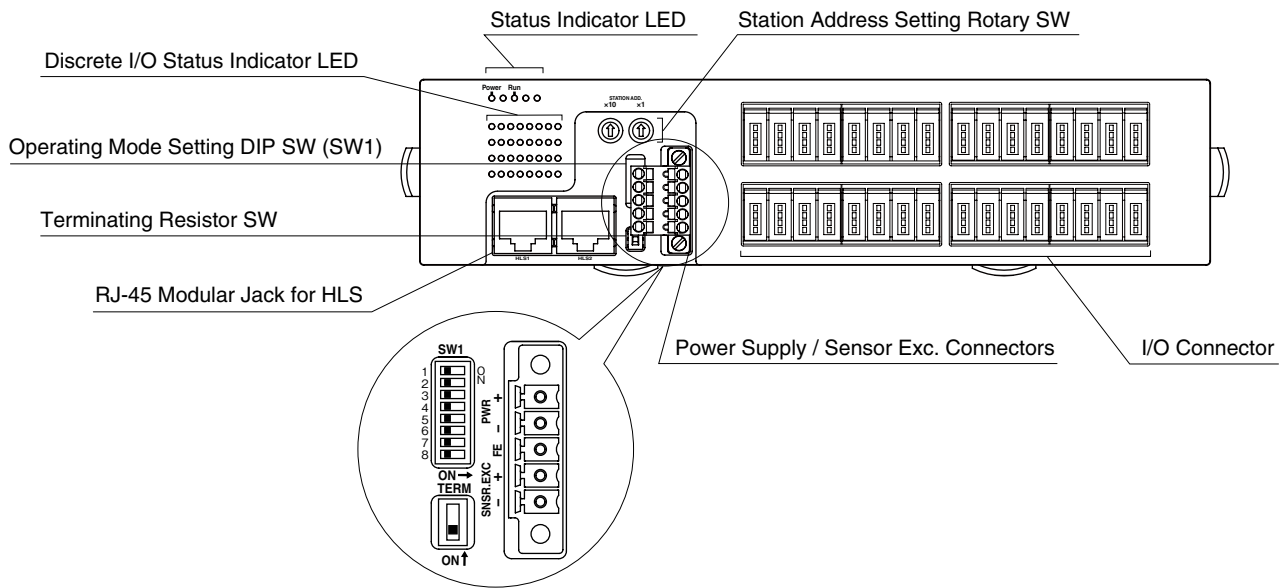
■ WIRING

- Do not install cables close to noise sources (relay drive cable, high frequency line, etc.).
- Do not bind these cables together with those in which noises are present. Do not install them in the same duct.

■ AND

- The unit is designed to function as soon as power is supplied, however, a warm up for 10 minutes is required for satisfying complete performance described in the data sheet.

COMPONENT IDENTIFICATION



■ STATUS INDICATOR LED

ID	COLOR	FUNCTION
Power	Green	Turns on when the internal 5V is supplied normally.
Run	Green	Turns on when the refresh data is received normally.

■ DISCRETE I/O STATUS INDICATOR LED

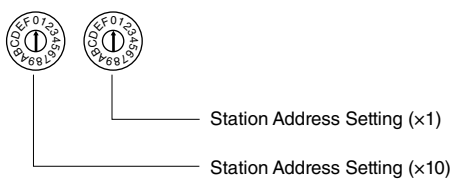
LED red indicators shows the signal status.

- ON : LED ON
- OFF : LED OFF

■ STATION ADDRESS

The left switch determines the sixteenths place digit, while the right switch does the ones place digit of the address.

(Range: 01H to 3FH)



■ OPERATING MODE

(*) Factory setting

• Transfer rate (SW1-1, 1-2)

SW1-1	SW1-2	TRANSFER RATE
OFF	OFF	12Mbps (*)
ON	OFF	6Mbps
OFF	ON	3Mbps

• Output at the loss of communication (SW1-3)

SW1-3	OUTPUT AT THE LOSS OF COMMUNICATION
OFF	Hold the output (*) (maintains the last data received normally)
ON	Reset the output (turned off)

Note: Be sure to set unused SW1-4 through 1-8 to OFF.

■ TERMINATING RESISTOR

To use the terminating resistor, turn the switch ON, and OFF to invalidate. (Factory setting OFF)

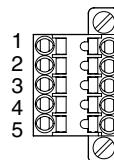
■ POWER SUPPLY

Cable connector: TFMC1,5 / 5-STF-3,5
(Phoenix Contact) (included in the package)

Applicable wire size: 0.2 – 1.5 mm²; stripped length 10 mm

Recommended solderless terminal

- A10,25-10YE 0.25 mm² (Phoenix Contact)
- A10,34-10TQ 0.34 mm² (Phoenix Contact)
- A10,5-10WH 0.5 mm² (Phoenix Contact)
- A10,75-10GY 0.75 mm² (Phoenix Contact)
- A1-10 1.0 mm² (Phoenix Contact)
- A1,5-10 1.5 mm² (Phoenix Contact)



- 1. PWR+ Power Supply
- 2. PWR- Power Supply
- 3. FE Functional earth
- 4. SNSR.EXC+ Sensor excitation
- 5. SNSR.EXC- Sensor excitation

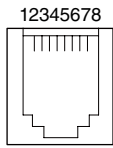
Note: The numbers marked on the connector have no relationship to the pin number of the unit.

Wire according to the instruction manual of the unit.

■ NETWORK

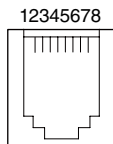
Recommended cable connector: TM21P-88P (Hirose Electric)
(not included in the package)

• Full-duplex communication



- 1. NC Unused
- 2. NC Unused
- 3. TXD+ Network (slave, transmission +)
- 4. TXD- Network (slave, transmission -)
- 5. RXD+ Network (master, transmission +)
- 6. RXD- Network (master, transmission -)
- 7. NC Unused
- 8. SLD Shield

• Half-duplex communication



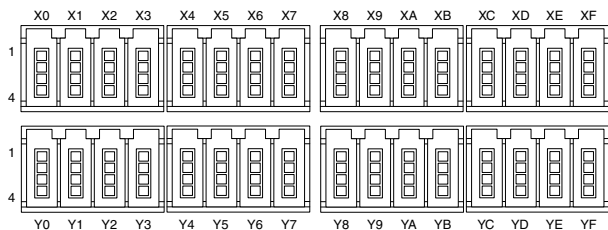
- 1. NC Unused
- 2. NC Unused
- 3. TR+ Network (+)
- 4. TR- Network (-)
- 5. NC Unused
- 6. NC Unused
- 7. NC Unused
- 8. SLD Shield

■ TERMINAL ASSIGNMENTS

• I/O Connection

Recommended cable connector: 37104-()-000FL (3M Company)

(The cable connector is not included in the package. Specify wire size instead of (); refer to the specifications of the product.)



PIN No.	ID	FUNCTION	PIN No.	ID	FUNCTION		
X0	1	+24V	24V DC	X8	1	+24V	24V DC
	2	NC	Unused		2	NC	Unused
	3	GND	0V		3	GND	0V
	4	X0	Input 0		4	X8	Input 8
X1	1	+24V	24V DC	X9	1	+24V	24V DC
	2	NC	Unused		2	NC	Unused
	3	GND	0V		3	GND	0V
	4	X1	Input 1		4	X9	Input 9
X2	1	+24V	24V DC	XA	1	+24V	24V DC
	2	NC	Unused		2	NC	Unused
	3	GND	0V		3	GND	0V
	4	X2	Input 2		4	XA	Input 10
X3	1	+24V	24V DC	XB	1	+24V	24V DC
	2	NC	Unused		2	NC	Unused
	3	GND	0V		3	GND	0V
	4	X3	Input 3		4	XB	Input 11
X4	1	+24V	24V DC	XC	1	+24V	24V DC
	2	NC	Unused		2	NC	Unused
	3	GND	0V		3	GND	0V
	4	X4	Input 4		4	XC	Input 12
X5	1	+24V	24V DC	XD	1	+24V	24V DC
	2	NC	Unused		2	NC	Unused
	3	GND	0V		3	GND	0V
	4	X5	Input 5		4	XD	Input 13
X6	1	+24V	24V DC	XE	1	+24V	24V DC
	2	NC	Unused		2	NC	Unused
	3	GND	0V		3	GND	0V
	4	X6	Input 6		4	XE	Input 14
X7	1	+24V	24V DC	XF	1	+24V	24V DC
	2	NC	Unused		2	NC	Unused
	3	GND	0V		3	GND	0V
	4	X7	Input 7		4	XF	Input 15

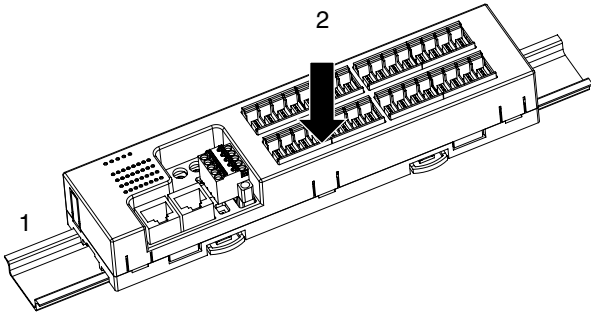
PIN No.	ID	FUNCTION	PIN No.	ID	FUNCTION		
Y0	1	+24V	24V DC	Y8	1	+24V	24V DC
	2	NC	Unused		2	NC	Unused
	3	GND	0V		3	GND	0V
	4	Y0	Output 0		4	Y8	Output 8
Y1	1	+24V	24V DC	Y9	1	+24V	24V DC
	2	NC	Unused		2	NC	Unused
	3	GND	0V		3	GND	0V
	4	Y1	Output 1		4	Y9	Output 9
Y2	1	+24V	24V DC	YA	1	+24V	24V DC
	2	NC	Unused		2	NC	Unused
	3	GND	0V		3	GND	0V
	4	Y2	Output 2		4	YA	Output 10
Y3	1	+24V	24V DC	YB	1	+24V	24V DC
	2	NC	Unused		2	NC	Unused
	3	GND	0V		3	GND	0V
	4	Y3	Output 3		4	YB	Output 11
Y4	1	+24V	24V DC	YC	1	+24V	24V DC
	2	NC	Unused		2	NC	Unused
	3	GND	0V		3	GND	0V
	4	Y4	Output 4		4	YC	Output 12
Y5	1	+24V	24V DC	YD	1	+24V	24V DC
	2	NC	Unused		2	NC	Unused
	3	GND	0V		3	GND	0V
	4	Y5	Output 5		4	YD	Output 13
Y6	1	+24V	24V DC	YE	1	+24V	24V DC
	2	NC	Unused		2	NC	Unused
	3	GND	0V		3	GND	0V
	4	Y6	Output 6		4	YE	Output 14
Y7	1	+24V	24V DC	YF	1	+24V	24V DC
	2	NC	Unused		2	NC	Unused
	3	GND	0V		3	GND	0V
	4	Y7	Output 7		4	YF	Output 15

MOUNTING INSTRUCTIONS

■ DIN RAIL MOUNTING (PARALLEL)

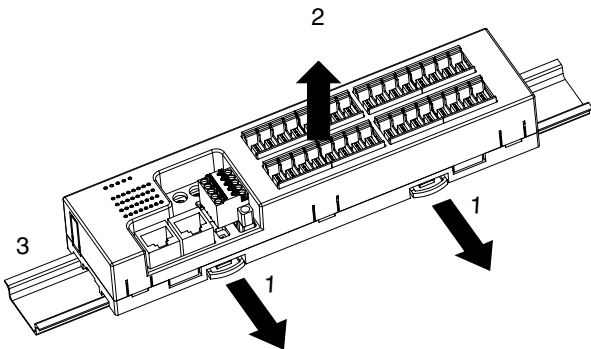
• Mounting

- 1) Set the upper hook at the rear side of the unit on the DIN rail.
- 2) Push in the lower.



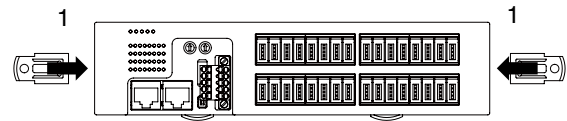
• Dismounting

- 1) Push down the DIN rail mouter slider with tip of a minus screwdriver.
- 2) Pull the lower of the unit.
- 3) Remove the upper hook of the unit from the DIN rail.

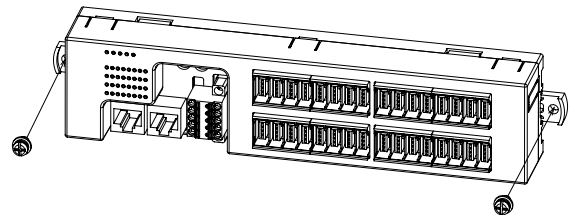


■ SURFACE MOUNTING

- 1) Insert the two DIN rail mouter sliders until it clicks once, as shown below.



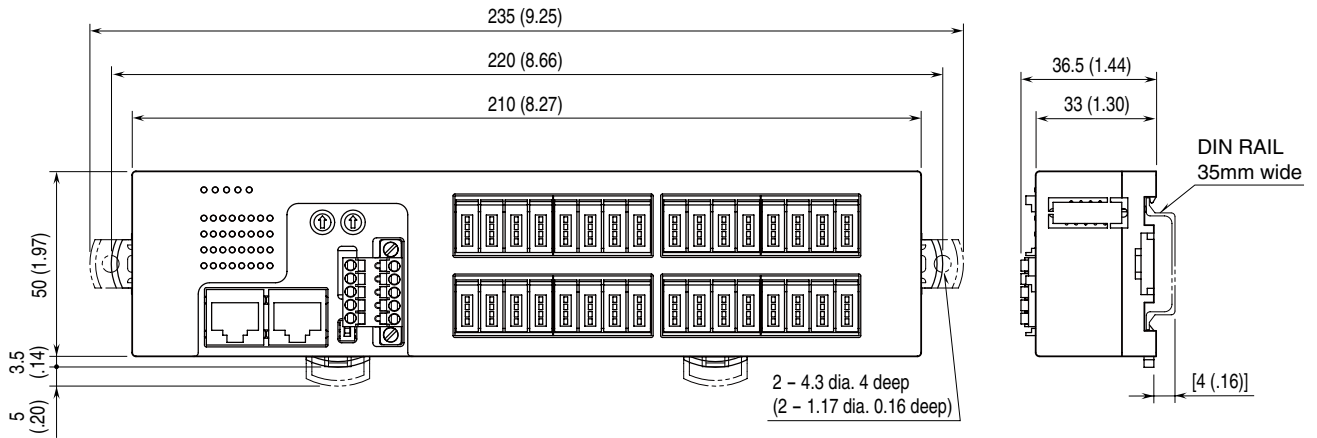
- 2) Mount the unit with M4 screws referring the External Dimensions. (Torque: 1.4 N·m)



TERMINAL CONNECTIONS

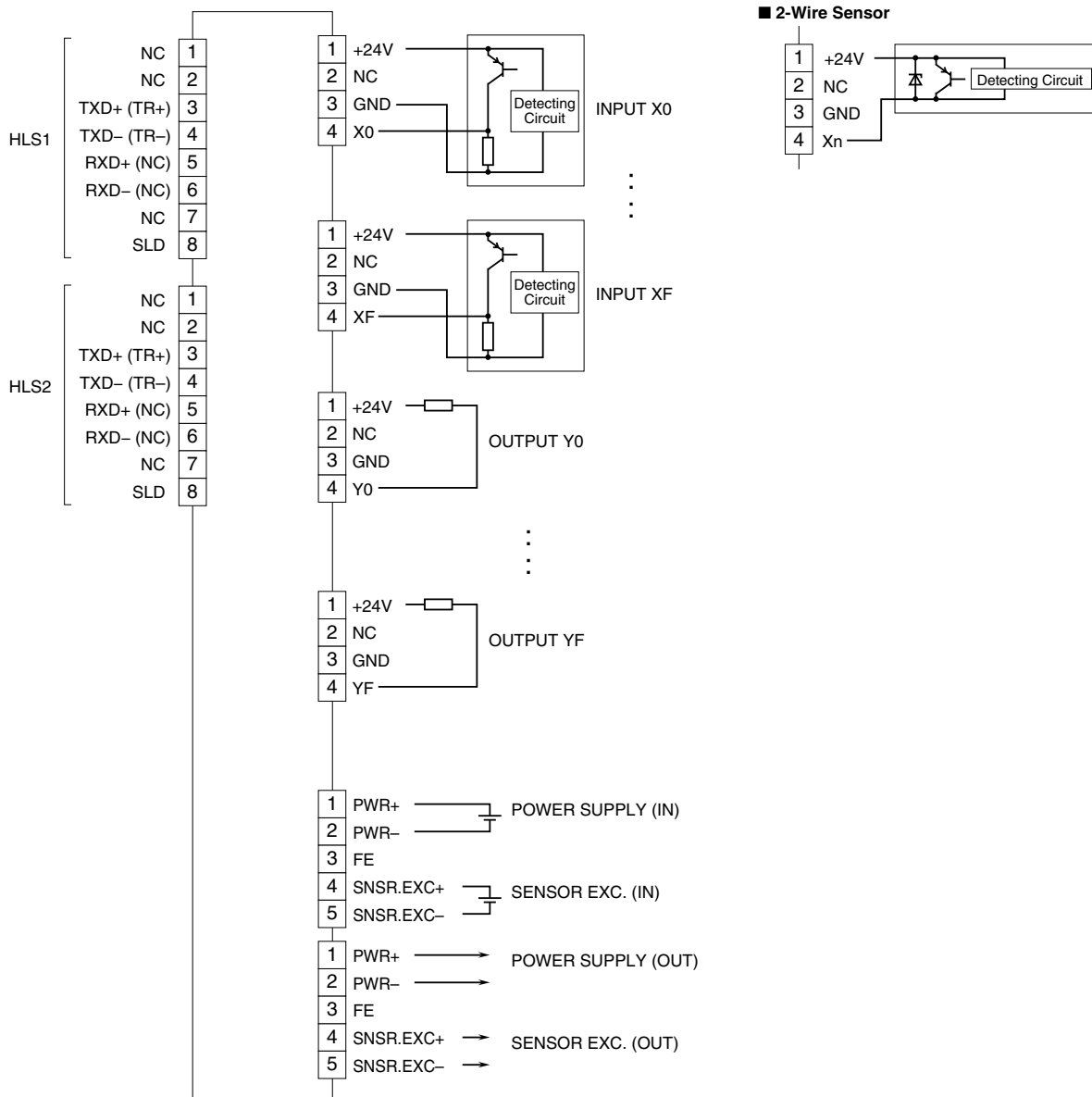
Connect the unit as in the diagram below.

EXTERNAL DIMENSIONS unit: mm (inch)

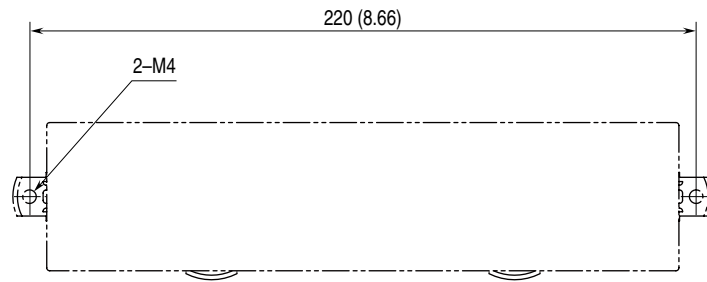


CONNECTION DIAGRAM

Note: In order to improve EMC performance, bond the FE terminal to ground.
 Caution: FE terminal is NOT a protective conductor terminal.



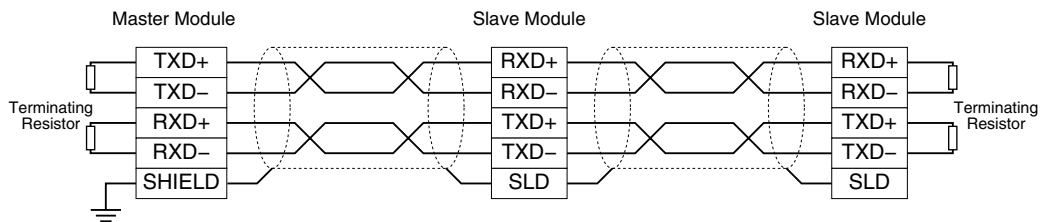
MOUNTING REQUIREMENTS unit: mm (inch)



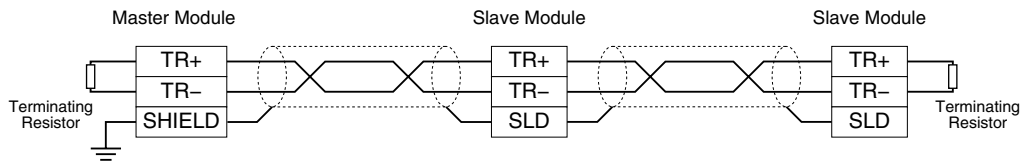
COMMUNICATION CABLE CONNECTIONS

■ MASTER CONNECTION

• Full-duplex communication



• Half-duplex communication

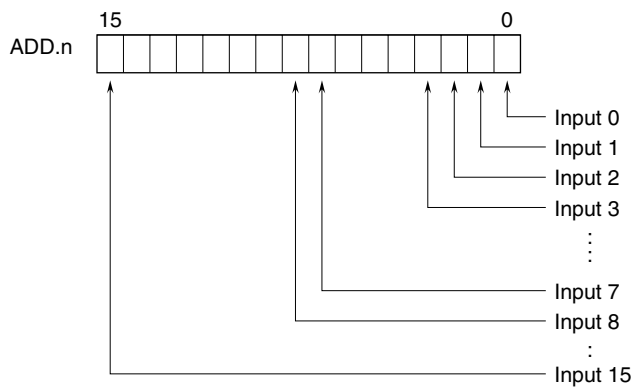


Note: Be sure to turn ON the switch of the terminating resistor located at both ends of the modules.

I/O DATA DESCRIPTIONS

■ DISCRETE I/O MODULE

• Di



0: OFF
1: ON

• Do

