

<b>SOFT-TERMINAL</b>	MODEL <b>ST/STL</b>
----------------------	---------------------

**BEFORE USE ....**

Thank you for choosing us. Before use, please check contents of the package you received as outlined below. If you have any problems or questions with the product, please contact our sales office or representatives.

**■ PACKAGE INCLUDES:**

- Soft-terminal .....(1)
- Cable (1 meter; 3.3 ft) with connector .....(1)

**■ MODEL NO.**

Confirm Model No. marking on the product to be exactly what you ordered.

**■ INSTRUCTION MANUAL**

This manual describes necessary points of caution when you use this product, including installation, connection and basic maintenance procedures.

**POINTS OF CAUTION**

**■ GENERAL PRECAUTIONS**

- Before you remove the unit or mount it, turn off the input signal for safety.

**■ ENVIRONMENT**

- Indoor use.
- When heavy dust or metal particles are present in the air, install the unit inside proper housing with sufficient ventilation.
- Do not install the unit where it is subjected to continuous vibration. Do not subject the unit to physical impact.
- Environmental temperature must be within 0 to 40°C (32 to 104°F) with relative humidity within 30 to 75% RH in order to ensure adequate life span and operation.

**■ WIRING**

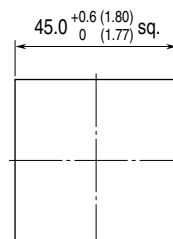
- Do not install cables close to noise sources (relay drive cable, high frequency line, etc.).
- Do not bind these cables together with those in which noises are present. Do not install them in the same duct.

**INSTALLATION**

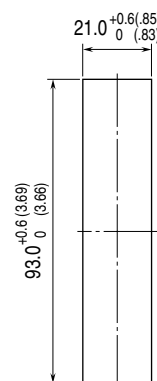
**■ PANEL CUTOUT unit: mm (inch)**

Panel thickness: 0.5 to 6 (.02 to .24)

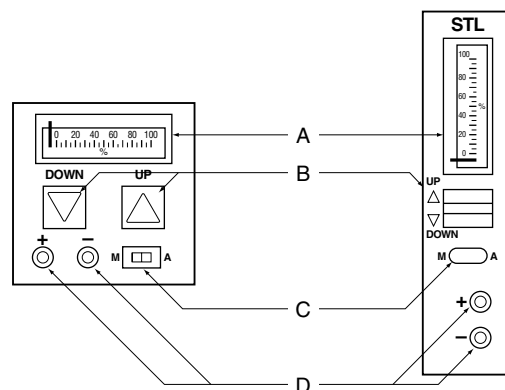
**■ ST**



**■ STL**



**COMPONENT IDENTIFICATION**



**• COMPONENT IDENTIFICATION**

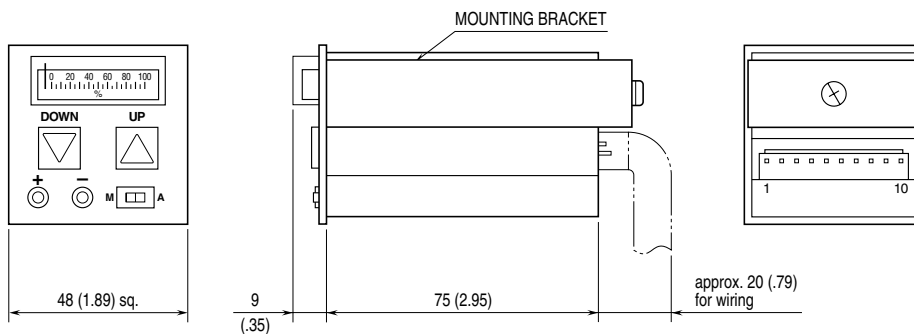
No.	COMPONENT	FUNCTION
(A)	Indicator	4 – 20 mA DC ammeter, class 2.5
(B)	UP/DOWN switches	When AUTO/MANUAL switch is on M side, pressing UP/DOWN switch increases or decreases the output of analog backup or computer backup station.
(C)	AUTO/MANUAL switch	A side: The output of analog backup or computer backup station tracks the input. M side: The output of analog backup or computer backup station is hold. The output is increased or decreased with UP/DOWN switch.
(D)	Monitor terminals	By connecting DC ammeter, the output current of analog backup or computer backup station can be measured.

# TERMINAL CONNECTIONS

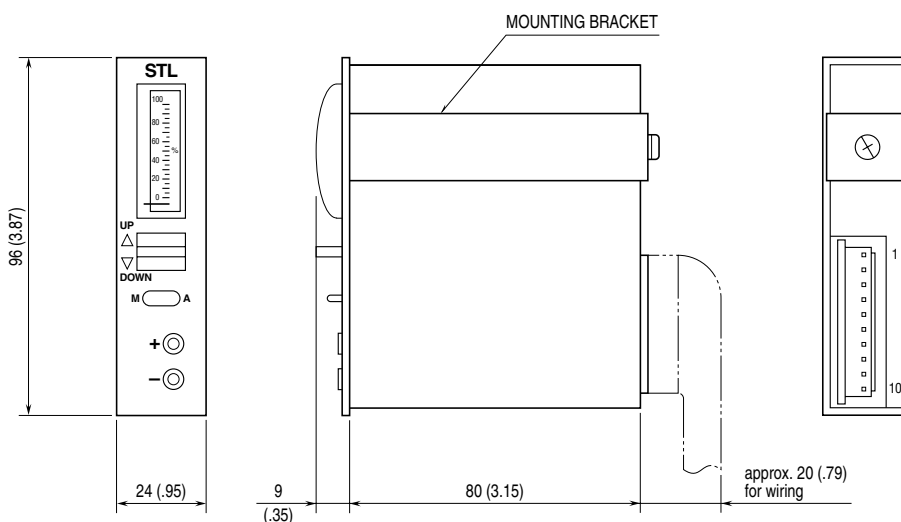
Connect the unit as in the diagram below.

## EXTERNAL DIMENSIONS unit: mm (inch)

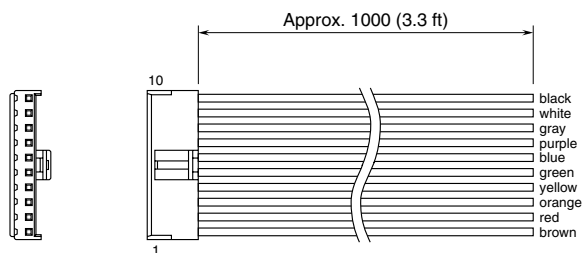
### • ST



### • STL

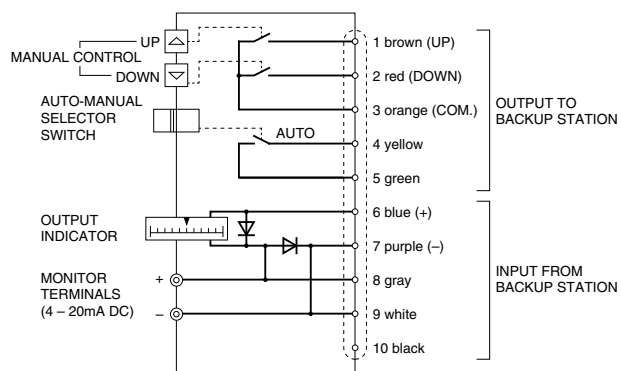


### • Cable with connector



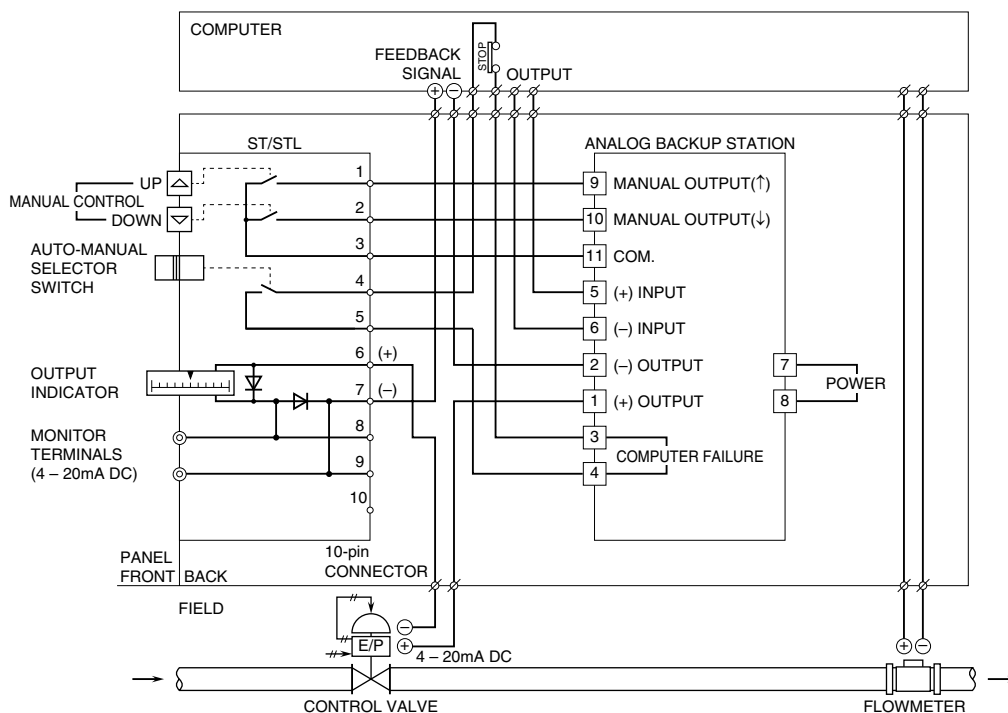
\* One end of the cable is cut off.

## CONNECTION DIAGRAM



# CONNECTION EXAMPLES

## ■ TO ANALOG BACKUP STATION



## ■ TO COMPUTER BACKUP STATION

