

CONTACT TELEMETERING MODULE

model **TMR/TMT**

Thank you for choosing us. Before use, check specifications on the product label.
If you have any problems or questions with the product, please contact our sales office or representatives.

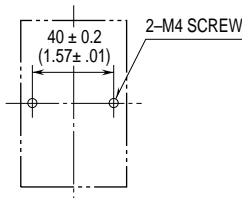
General Description

The Model TMR/TMT transmits 1-point contact signal through leased circuit of 50 b/s.

- Provides sensor excitation
- Protection against induction noise
- Lightning protection applicable
- No adjustment required

Installation [Scale: mm(inch)]

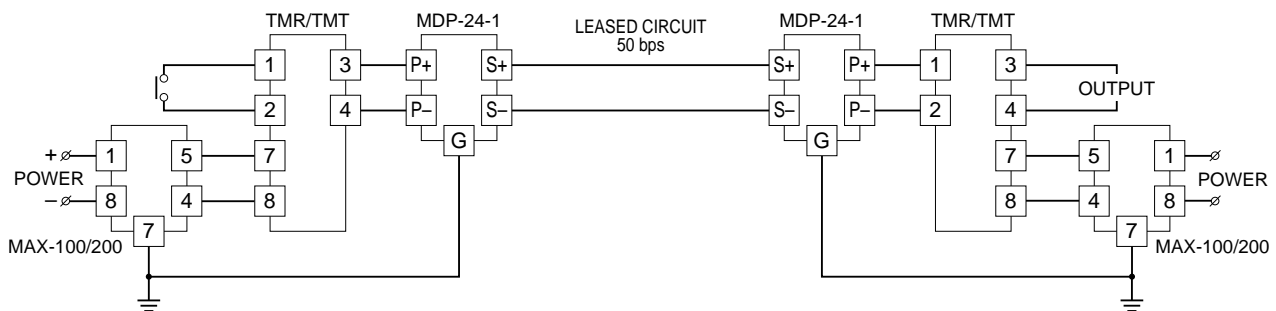
- Operating temperature: -5 to +60°C (23 to 140°F)
 - Operating humidity: 30 to 90% RH (non-condensing)
- Keep away from water, corrosive gas, dust and vibration. Wall or DIN rail mounting available. Use DIN rail of 35 mm width.



When mounting, no extra space is needed between units.

Terminal Connections

Make wiring to terminals as shown in the figure below. Maintenance personnel must be qualified. Only qualified person or non-qualified person under the supervision of such person can execute connection to the leased circuit.



Troubleshooting

When output is irregular, check the following points:

- Terminal wiring
- Power wiring and polarity
- Input: Turn input ON, disconnect the terminals 1 – 2, and check cable resistance with a tester to show 3kΩ or less. Even if the input pulse width is narrower than 25 milliseconds, output pulse width is automatically adjusted to 25 milliseconds in order to eliminate any signal faster than 50 b/s on the leased circuit.
- Check that the red monitor lamp turns on with input ON, and the green turns on with OFF.
- Output: Check both outputs turn ON with input ON. For open collector output, readings may not appear on the tester. In such a case, use a buzzer tester with high detecting voltage (5 – 24V).
- Output load: Check that the output load is 380V AC/500VA or 125V DC/120W at the maximum. For maximum relay life with inductive load, external protection is recommended.