

**BEFORE USE ....**

Thank you for choosing us. Before use, please check contents of the package you received as outlined below. If you have any problems or questions with the product, please contact our sales office or representatives.

**■ PACKAGE INCLUDES:**

NPN discrete input module .....(1)

**■ MODEL NO.**

Confirm Model No. marking on the product to be exactly what you ordered.

**■ INSTRUCTION MANUAL**

This manual describes necessary points of caution when you use this product, including installation, connection and basic maintenance procedures.

**POINTS OF CAUTION**

**■ CONFORMITY WITH EU DIRECTIVES**

- The equipment must be mounted inside a panel.
- The actual installation environments such as panel configurations, connected devices, connected wires, may affect the protection level of this unit when it is integrated in a panel system. The user may have to review the CE requirements in regard to the whole system and employ additional protective measures to ensure the CE conformity.

**■ GENERAL PRECAUTIONS**

- Before you remove or mount the unit, turn off the power supply and input signal for safety.
- Switches on the side of the module can be set for maintenance only while the power supply is off. Do not access them while the power is supplied.

**■ ENVIRONMENT**

- Indoor use.
- When heavy dust or metal particles are present in the air, install the unit inside proper housing with sufficient ventilation.
- Do not install the unit where it is subjected to continuous vibration. Do not subject the unit to physical impact.
- Environmental temperature must be within -10 to +55°C (14 to 131°F) with relative humidity within 30 to 90% RH in order to ensure adequate life span and operation.

**■ WIRING**

- Do not install cables close to noise sources (relay drive cable, high frequency line, etc.).
- Do not bind these cables together with those in which noises are present. Do not install them in the same duct.

**■ EXCITATION SUPPLY**

- Input connector: Rated current 3 A DC (rated current 3 A for internal fuse (slow blow fuse  $i^2t$  (A<sup>2</sup>sec) max. 5.04).

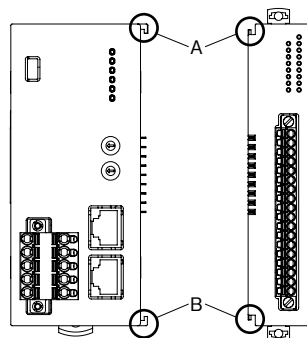
**■ AND ....**

- The unit is designed to function as soon as power is supplied, however, a warm up for 10 minutes is required for satisfying complete performance described in the data sheet.

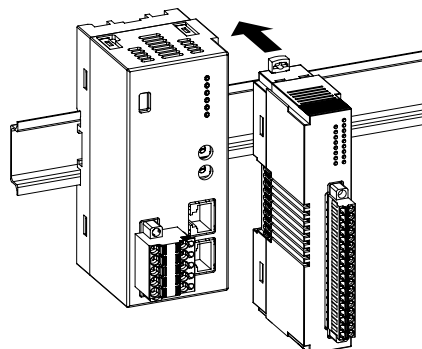
**INSTALLATION**

**■ HOW TO MOUNT THE MODULE ON DIN RAIL**

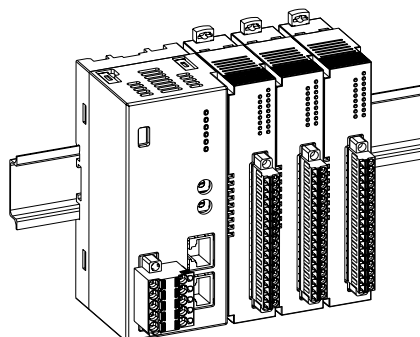
**• I/O Module**



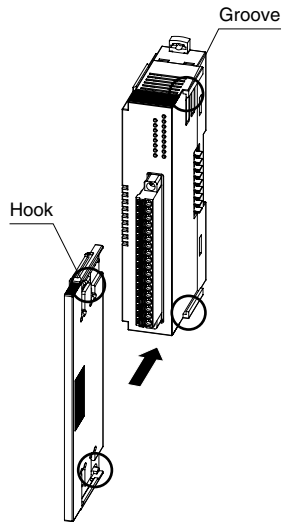
Confirm that the locking clamps of the I/O module are set. Insert the module in parallel to the next one while aligning the grooves of both modules (A & B in the above figure). Maintain it perpendicularly to the rail.



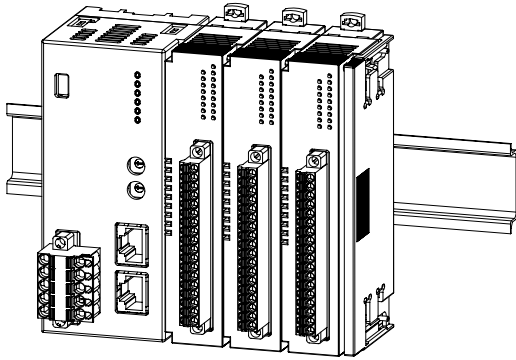
More I/O modules can be added in the same manner.



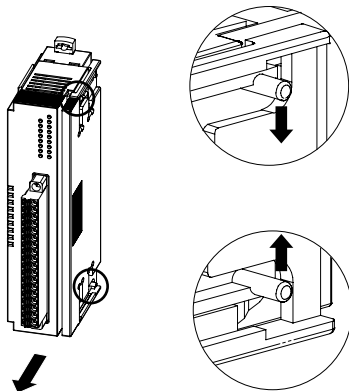
• Protective Cover



The protective cover is to be attached over the connected I/O module at the right end.  
Align the hooks on the cover with the grooves of the module and slide it straight until the hooks are latched.

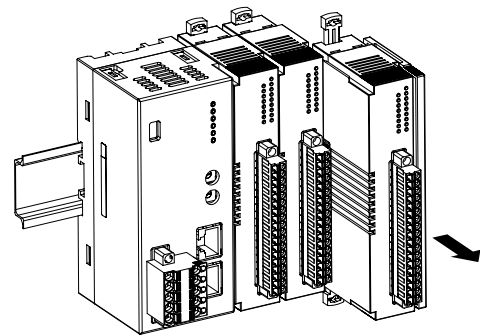
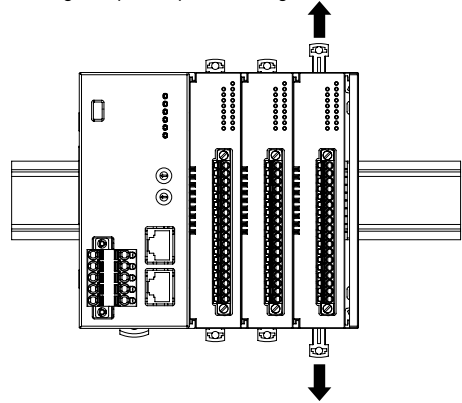


When removing the cover, pull it out while squeezing the hooks inward.

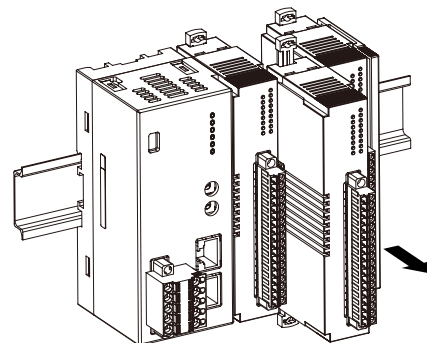
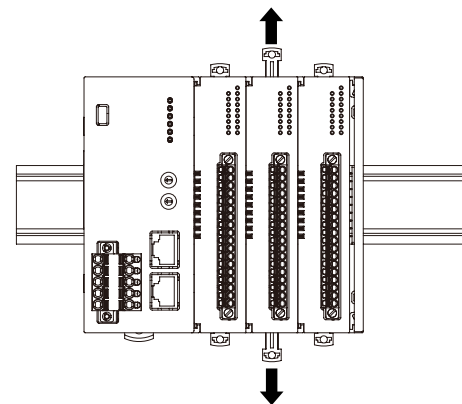


■ HOW TO UNMOUNT THE MODULE FROM DIN RAIL

• Release the locking clamps and pull out straight the module.



• Removing an intermediate module



Note 1: Be careful not to hurt your hand by pointed edges of the internal bus connector.

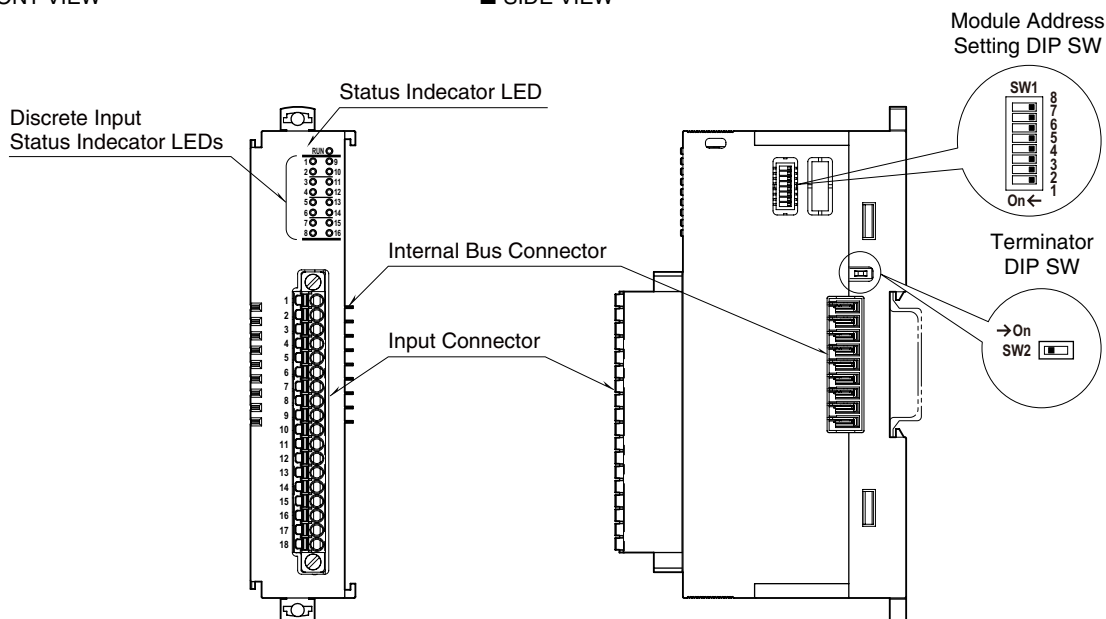
Note 2: I/O modules cannot hold tightly on the DIN rail by themselves without power/network module.

Secure them to the position if necessary by using DIN rail end plates.

## COMPONENT IDENTIFICATION

### ■ FRONT VIEW

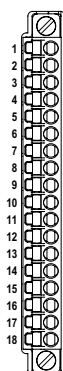
### ■ SIDE VIEW



### ■ INDICATOR LED

LED	OPERATION	FUNCTION
Status	OFF	Upper communication: Stopping or abnormal Internal communication: Normal
	Red ON	Upper communication: Stopping or abnormal Internal communication: Abnormal
	Green ON	Upper communication: Normal Internal communication: Normal
	Orange ON	Upper communication: Normal Internal communication: Abnormal
	Orange Blinking	Circuit abnormality (blinking in 400 msec. cycle)
Input Status	OFF	Discrete input is OFF.
	Green ON	Discrete input is ON.

### ■ INPUT CONNECTOR ASSIGNMENT



PIN. NO.	ID	FUNCTION
1	Di1	Input 1
2	Di2	Input 2
3	Di3	Input 3
4	Di4	Input 4
5	Di5	Input 5
6	Di6	Input 6
7	Di7	Input 7
8	Di8	Input 8
9	Di9	Input 9
10	Di10	Input 10
11	Di11	Input 11
12	Di12	Input 12
13	Di13	Input 13
14	Di14	Input 14
15	Di15	Input 15
16	Di16	Input 16
17	0V	Exc. supply 0V
18	24V	Exc. supply 24V

### ■ OPERATING MODE SETTING

(\*) Factory setting

Note) Be sure to set unused SW 1-5 through 1-8 to OFF.

#### • MODULE ADDRESS

Selectable between 0 and 15, with DIP switch 1-1 to 4.

Set the module addresses consecutively starting at 0 such that there is no duplicate or vacant address.

MODULE ADDRESS	SW1			
	1	2	3	4
0	OFF	OFF	OFF	OFF
1	ON	OFF	OFF	OFF
2	OFF	ON	OFF	OFF
3	ON	ON	OFF	OFF
4	OFF	OFF	ON	OFF
5	ON	OFF	ON	OFF
6	OFF	ON	ON	OFF
7	ON	ON	ON	OFF
8	OFF	OFF	OFF	ON
9	ON	OFF	OFF	ON
10	OFF	ON	OFF	ON
11	ON	ON	OFF	ON
12	OFF	OFF	ON	ON
13	ON	OFF	ON	ON
14	OFF	ON	ON	ON
15	ON	ON	ON	ON

#### ■ TERMINATOR DIP SW

TERMINATOR	SW2
Without (*)	OFF
With	ON

## PC CONFIGURATOR

The following parameters can be set using PC Configurator Software (model: R80CFG)  
Refer to the users manual for the R80CFG for detailed operation of the software program.

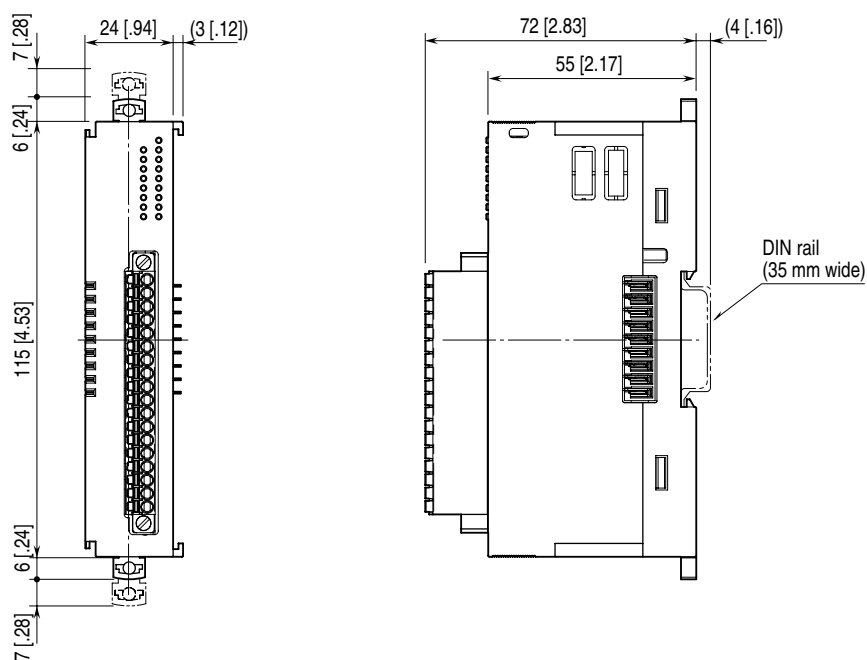
ITEM	SETTING RANGE	DEFAULT VALUE
Sampling cycle	100 $\mu$ s, 200 $\mu$ s, 400 $\mu$ s, 800 $\mu$ s, 4 ms, 8 ms, 16 ms, 40 ms	100 $\mu$ s

Note) Settings are programmed by the PC Configurator via the Power/Network Module.

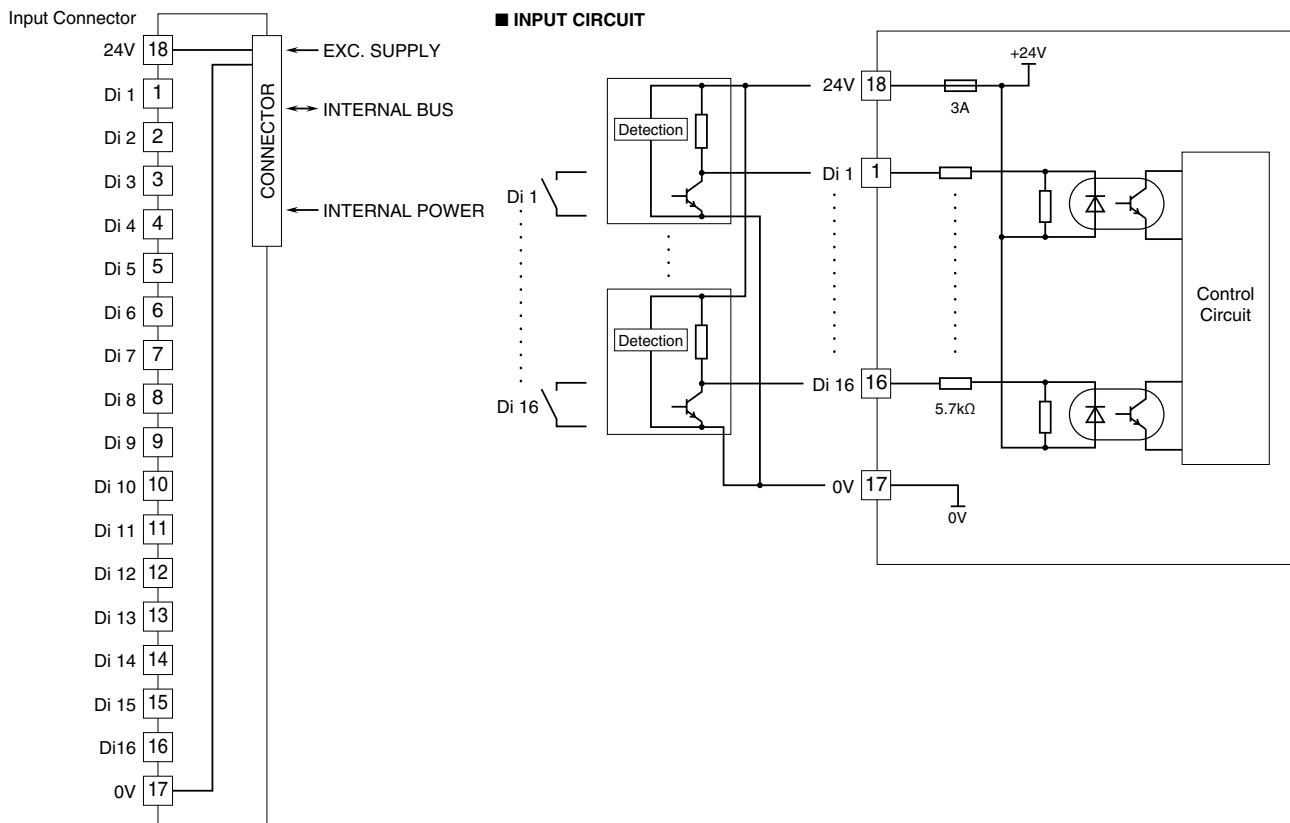
## TERMINAL CONNECTIONS

Connect the unit as in the diagram below.

### EXTERNAL DIMENSIONS unit: mm [inch]



## CONNECTION DIAGRAM



## WIRING INSTRUCTIONS

### INPUT CONNECTOR

**Unit side connector:** MC1,5/18-GF-3,5 (Phoenix Contact)

**Cable side connector:** FMC1,5/18-STF-3,5 (Phoenix Contact)

(included in the package)

**Applicable wire size:** 0.2 – 1.5 mm<sup>2</sup>

**Stripped length:** 10 mm

**Recommended solderless terminal**

- AI0,25-10YE 0.25 mm<sup>2</sup> (Phoenix Contact)
- AI0,34-10TQ 0.34 mm<sup>2</sup> (Phoenix Contact)
- AI0,5-10WH 0.5 mm<sup>2</sup> (Phoenix Contact)
- AI0,75-10GY 0.75 mm<sup>2</sup> (Phoenix Contact)
- A1-10 1.0 mm<sup>2</sup> (Phoenix Contact)
- A1,5-10 1.5 mm<sup>2</sup> (Phoenix Contact)