

**EXTENSION POWER SUPPLY MODULE  
(non-isolated)**

MODEL **R80PS1**

**BEFORE USE ....**

Thank you for choosing us. Before use, please check contents of the package you received as outlined below. If you have any problems or questions with the product, please contact our sales office or representatives.

**■ PACKAGE INCLUDES:**

Extension power supply module.....(1)

**■ MODEL NO.**

Confirm Model No. marking on the product to be exactly what you ordered.

**■ INSTRUCTION MANUAL**

This manual describes necessary points of caution when you use this product, including installation, connection and basic maintenance procedures.

**POINTS OF CAUTION**

**■ CONFORMITY WITH EU DIRECTIVES**

- The equipment must be mounted inside a panel.
- The actual installation environments such as panel configurations, connected devices, connected wires, may affect the protection level of this unit when it is integrated in a panel system. The user may have to review the CE requirements in regard to the whole system and employ additional protective measures to ensure the CE conformity.

**■ POWER INPUT RATING & OPERATIONAL RANGE**

- Locate the power input rating marked on the product and confirm its operational range as indicated below:  
 DC Power supply: 24V DC rating  
 24V DC  $\pm$  10%, approx. 11W  
 (@ internal power max. current 1.6A)  
 Excitation supply (excitation for I/O module):  
 24V DC  $\pm$  10%, operational current 8A  
 (From power supply (excitation supply) connector, via connector for internal bus, supplied to each I/O module. Power output current consumption must be under operational current.)

**■ GENERAL PRECAUTIONS**

- Before you remove or mount the unit, turn off the power supply and output signal for safety.

**■ ENVIRONMENT**

- Indoor use.
- When heavy dust or metal particles are present in the air, install the unit inside proper housing with sufficient ventilation.
- Do not install the unit where it is subjected to continuous vibration. Do not subject the unit to physical impact.
- Environmental temperature must be within -10 to +55°C (14 to 131°F) with relative humidity within 10 to 90% RH in order to ensure adequate life span and operation.

**■ WIRING**

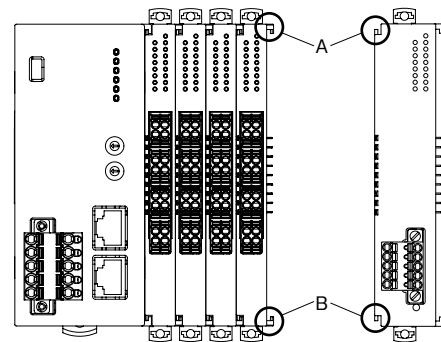
- Do not install cables close to noise sources (relay drive cable, high frequency line, etc.).
- Do not bind these cables together with those in which noises are present. Do not install them in the same duct.

**■ POWER UP**

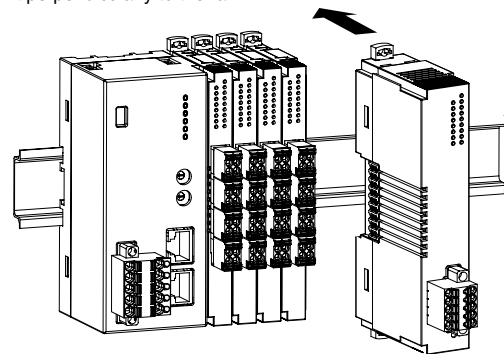
- Turn the power on at the same time as the power/network module or turn the R80PS1 on before the power/network module turned on. If the R80PS1 is not turned on within 3 seconds after the power/network module is turned on, I/O modules are not correctly recognized.

**INSTALLATION**

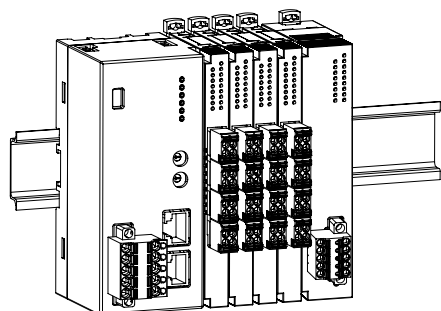
**■ HOW TO MOUNT THE MODULE ON DIN RAIL**



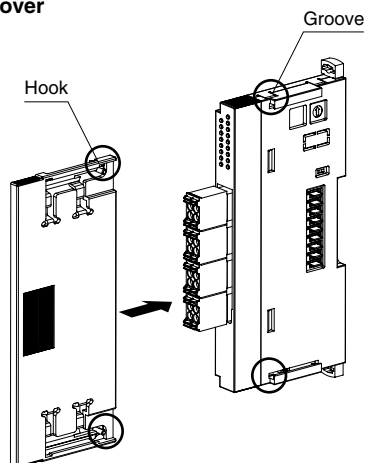
Confirm that the locking clamps of the extension power supply module are set. Insert the module in parallel to the next one while aligning the grooves of both modules (A & B in the above figure). Maintain it perpendicularly to the rail.



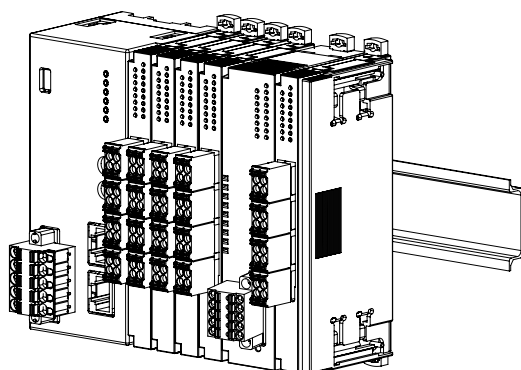
More I/O modules can be added in the same manner.



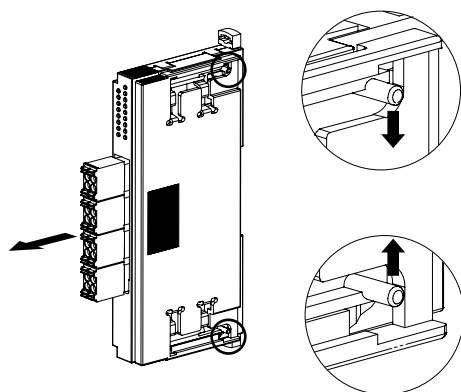
• Protective Cover



The protective cover is to be attached over the connected I/O module at the right end.  
Align the hooks on the cover with the grooves of the module and slide it straight until the hooks are latched.

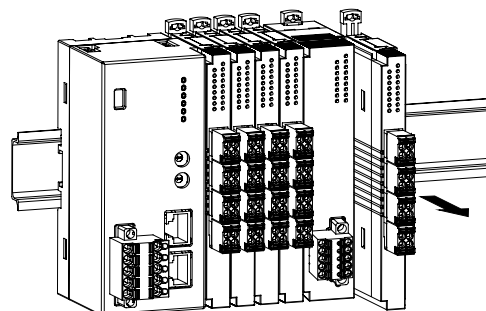
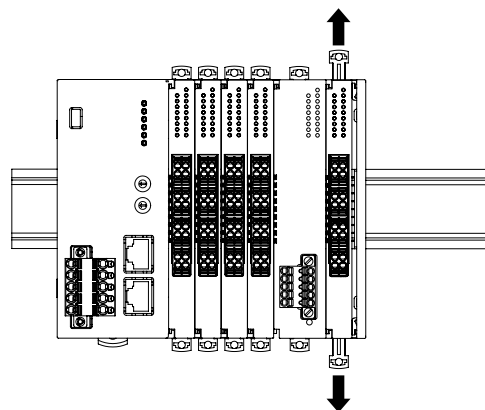


When removing the cover, pull it out while squeezing the hooks inward.

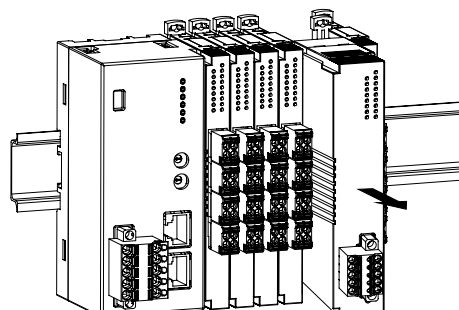
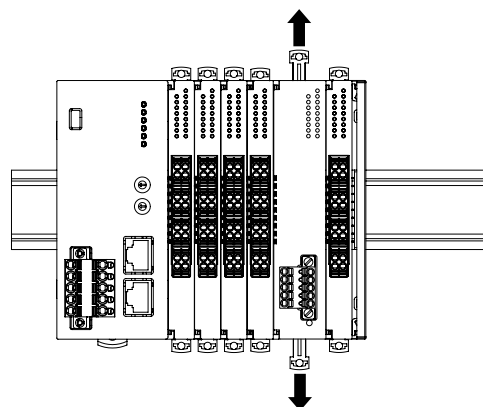


■ HOW TO UNMOUNT THE MODULE FROM DIN RAIL

Release the locking clamps and pull out straight the module.



• Removing an intermediate module



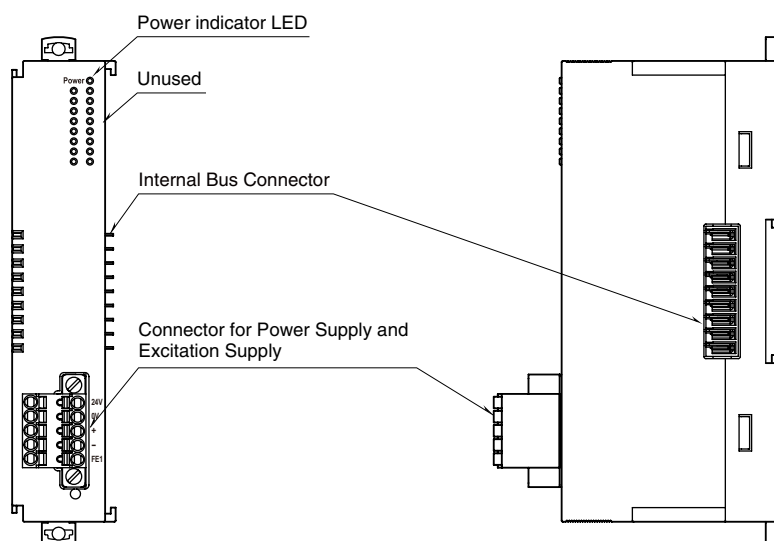
**Caution !**

- 1) Be careful not to hurt your hand by pointed edges of the internal bus connector.
- 2) I/O modules cannot hold tightly on the DIN rail by themselves without power/network module.  
Secure them to the position if necessary by using DIN rail end plates.

## COMPONENT IDENTIFICATION

### ■ FRONT VIEW

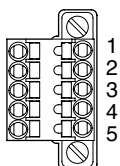
### ■ SIDE VIEW



### ■ POWER INDICATOR LED

Green, ON during module power on

### ■ POWER SUPPLY, EXCITATION SUPPLY CONNECTOR ASSIGNMENT

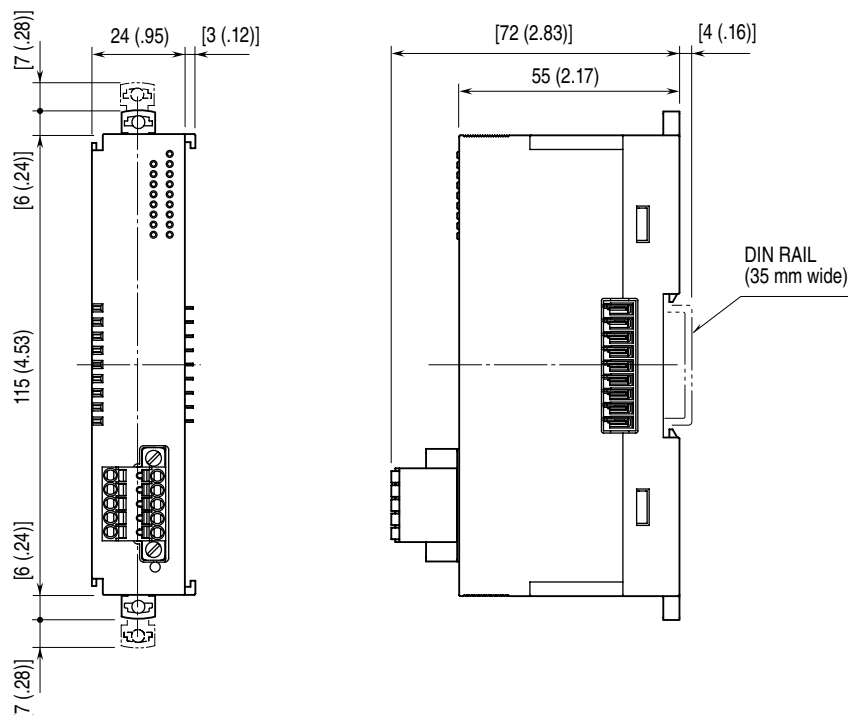


PIN No.	ID	FUNCTION
1	24V	Power supply 24V DC
2	0V	Power supply 0V DC
3	+	Excitation supply 24V DC
4	-	Excitation supply 0V DC
5	FE1	Grounding

## TERMINAL CONNECTIONS

Connect the unit as in the diagram below.

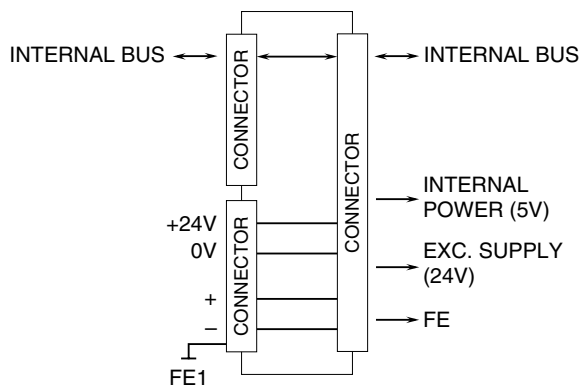
### EXTERNAL DIMENSIONS unit: mm [inch]



### CONNECTION DIAGRAM

Note: In order to improve EMC performance, bond the FE1 terminal to ground.

Caution: FE1 terminal is NOT a protective conductor terminal.



Internal bus is connected for the modules near to the power/network module out of the modules connected to the R80PS1. Internal power and Exc. supply are not connected. All modules far from the power/network module are connected.

## WIRING INSTRUCTIONS

### POWER SUPPLY, EXCITATION SUPPLY CONNECTOR

Unit side connector: MC1,5/5-GF-3.5  
(Phoenix Contact)

Cable side connector: TFMC1,5/5-STF-3.5  
(Phoenix Contact)

Applicable wire size: 0.2 – 1.5 mm<sup>2</sup>

Stripped length: 10 mm