

**DC VOLTAGE OUTPUT MODULE, 4 points**  
**(4 points, non-isolated, tension clamp terminal block)**

MODEL **R80YVT4N**

**BEFORE USE ....**

Thank you for choosing us. Before use, please check contents of the package you received as outlined below. If you have any problems or questions with the product, please contact our sales office or representatives.

**■ PACKAGE INCLUDES:**

DC voltage output module.....(1)

**■ MODEL NO.**

Confirm Model No. marking on the product to be exactly what you ordered.

**■ INSTRUCTION MANUAL**

This manual describes necessary points of caution when you use this product, including installation, connection and basic maintenance procedures.

**POINTS OF CAUTION**

**■ CONFORMITY WITH EU DIRECTIVES**

- The equipment must be mounted inside a panel.
- The actual installation environments such as panel configurations, connected devices, connected wires, may affect the protection level of this unit when it is integrated in a panel system. The user may have to review the CE requirements in regard to the whole system and employ additional protective measures to ensure the CE conformity.

**■ GENERAL PRECAUTIONS**

- Before you remove or mount the unit, turn off the power supply and output signal for safety.
- DO NOT set the switches while the power is supplied. The switches are used only for maintenance without the power.

**■ ENVIRONMENT**

- Indoor use.
- When heavy dust or metal particles are present in the air, install the unit inside proper housing with sufficient ventilation.
- Do not install the unit where it is subjected to continuous vibration. Do not subject the unit to physical impact.
- Environmental temperature must be within -10 to +55°C (14 to 131°F) with relative humidity within 10 to 90% RH in order to ensure adequate life span and operation.

**■ WIRING**

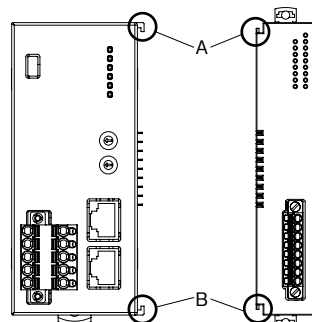
- Do not install cables close to noise sources (relay drive cable, high frequency line, etc.).
- Do not bind these cables together with those in which noises are present. Do not install them in the same duct.

**■ POWER UP**

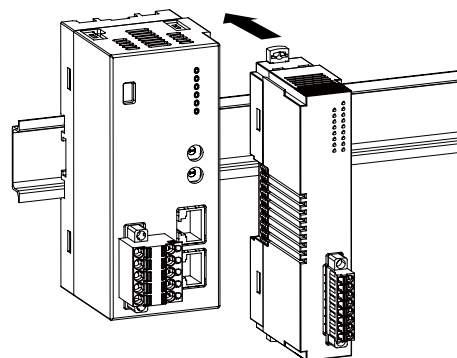
- The unit is designed to function as soon as power is supplied, however, a warm up for 10 minutes is required for satisfying complete performance described in the data-sheet.

**INSTALLATION**

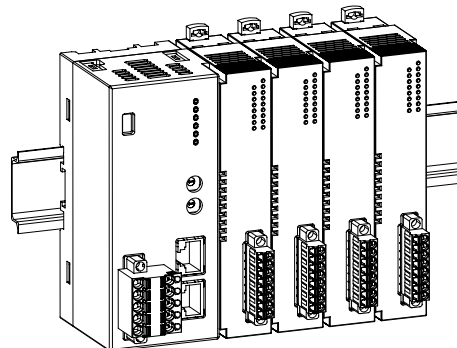
**■ HOW TO MOUNT THE MODULE ON DIN RAIL**



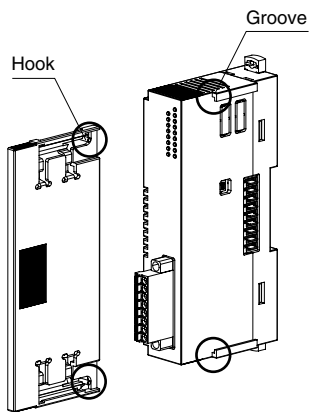
Confirm that the locking clamps of the extension power supply module are set. Insert the module in parallel to the next one while aligning the grooves of both modules (A & B in the above figure). Maintain it perpendicularly to the rail.



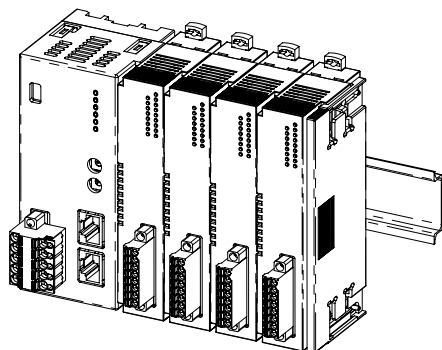
More I/O modules can be added in the same manner.



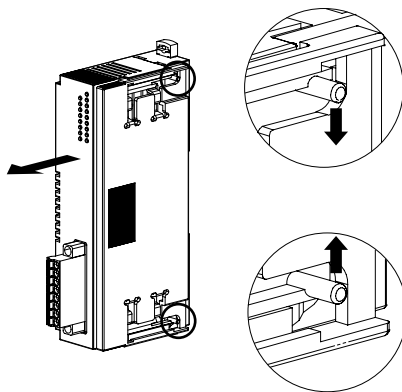
• Protective Cover



The protective cover is to be attached over the connected I/O module at the right end.  
Align the hooks on the cover with the grooves of the module and slide it straight until the hooks are latched.

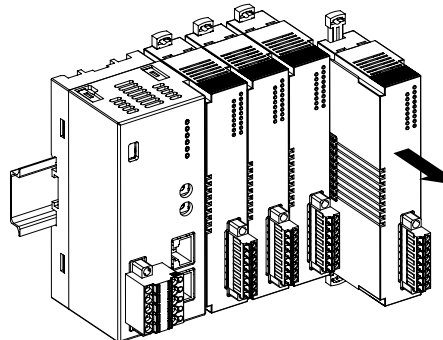
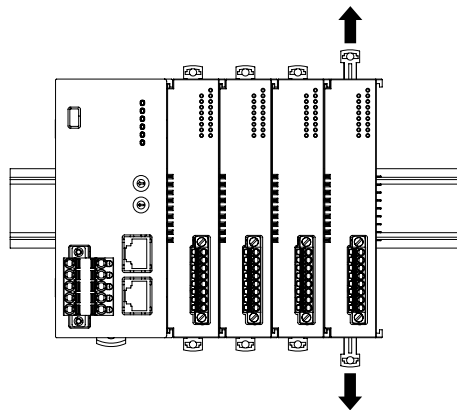


When removing the cover, pull it out while squeezing the hooks inward.

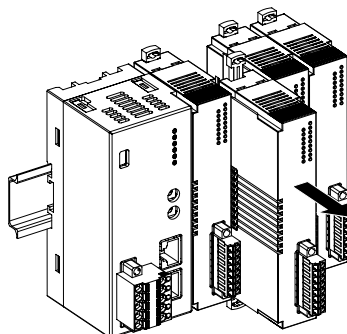
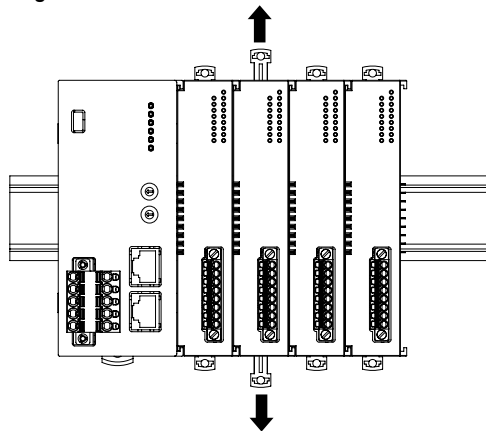


■ HOW TO UNMOUNT THE MODULE FROM DIN RAIL

Release the locking clamps and pull out straight the module.



• Removing an intermediate module

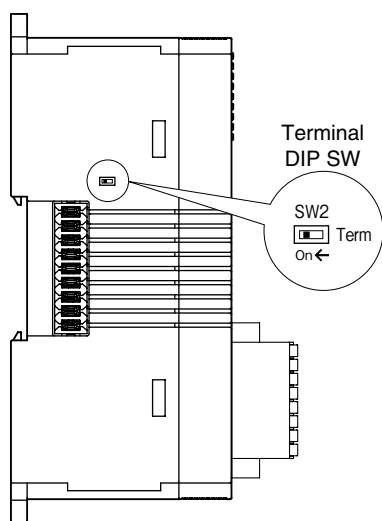


**Caution !**

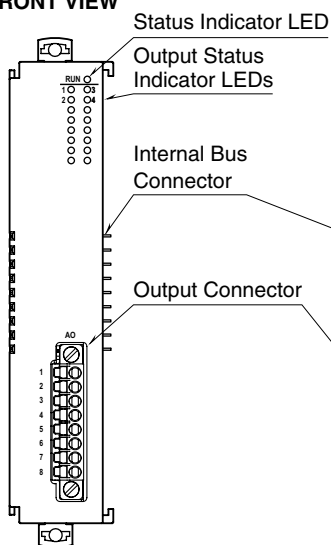
- 1) Be careful not to hurt your hand by pointed edges of the internal bus connector.
- 2) I/O modules cannot hold tightly on the DIN rail by themselves without power/network module.  
Secure them to the position if necessary by using DIN rail end plates.

## COMPONENT IDENTIFICATION

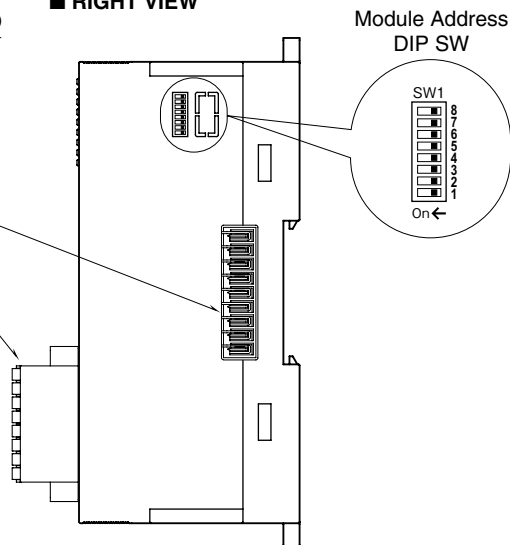
### ■ LEFT VIEW



### ■ FRONT VIEW



### ■ RIGHT VIEW



### ■ STATUS INDICATOR LED / OUTPUT STATUS INDICATOR LED

LED	OPERATION	COLOR	FUNCTION
RUN Indicator LED	ON	Red	Upper communication: Stopping or abnormal Internal communication: Abnormal
	ON	Green	Upper communication: Normal Internal communication: Normal
	Blink 1 sec. cycle	–	Output value error (Exceeds the upper limit of setting range).
	Blink 400 msec. cycle	–	Output circuit abnormality (AD converter response failure)
	OFF	–	Upper communication: Stopping or abnormal Internal communication: Normal
Output Status Indicator LED	OFF	Red	Output data in the range
	ON		Output value error (Exceeds the upper limit of setting range).
	ON		Output circuit abnormality (AD converter response failure)

## ■ OPERATION MODE SETTING

(\*) factory default setting

Note) Be sure to unused SW1-5 through 1-8 to OFF.

### • Module Address Setting

Configure the module address with DIP Switch.

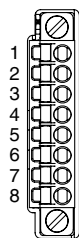
0 - 15 are available for module address.

MODULE ADDRESS	SW1			
	1	2	3	4
0(*)	OFF	OFF	OFF	OFF
1	ON	OFF	OFF	OFF
2	OFF	ON	OFF	OFF
3	ON	ON	OFF	OFF
4	OFF	OFF	ON	OFF
5	ON	OFF	ON	OFF
6	OFF	ON	ON	OFF
7	ON	ON	ON	OFF
8	OFF	OFF	OFF	ON
9	ON	OFF	OFF	ON
10	OFF	ON	OFF	ON
11	ON	ON	OFF	ON
12	OFF	OFF	ON	ON
13	ON	OFF	ON	ON
14	OFF	ON	ON	ON
15	ON	ON	ON	ON

### • Terminator Setting

Terminator	SW2
Disabled (*)	OFF
Enabled	ON

## ■ OUTPUT CONNECTOR TERMINAL ASSIGNMENT



PIN NO.	ID	FUNCTION
1	Ao1+	Output 1 (+)
2	Ao1-	Output 1 (-)
3	Ao2+	Output 2 (+)
4	Ao2-	Output 2 (-)
5	Ao3+	Output 3 (+)
6	Ao3-	Output 3 (-)
7	Ao4+	Output 4 (+)
8	Ao4-	Output 4 (-)

## PC CONFIGURATOR

The following parameters can be set with using PC Configurator Software (model: R80CFG)  
Refer to the users manual for the R80CFG for detailed operation of the software program.

### ■ CHANNEL INDIVIDUAL SETTING

ITEM	SETTING RANGE	DEFAULT VALUE
Unused setting	CH enabled CH disabled	CH enabled
Zero fine adj.	-320.00 - +320.00 (%)	0.00 (%)
Gain fine adj.	-3.2000 - +3.2000	1.0000
Zero base	-10.00 - +10.00	-10.00
Full base	-10.00 - +10.00	10.00
Zero scaling	-32,000 - +32,000	0
Full scaling	-32,000 - +32,000	10,000
Output range at communication failure or power up	-5.00 - +105.00	0.00

\*1. For details, refer to the users manual of R80CFG

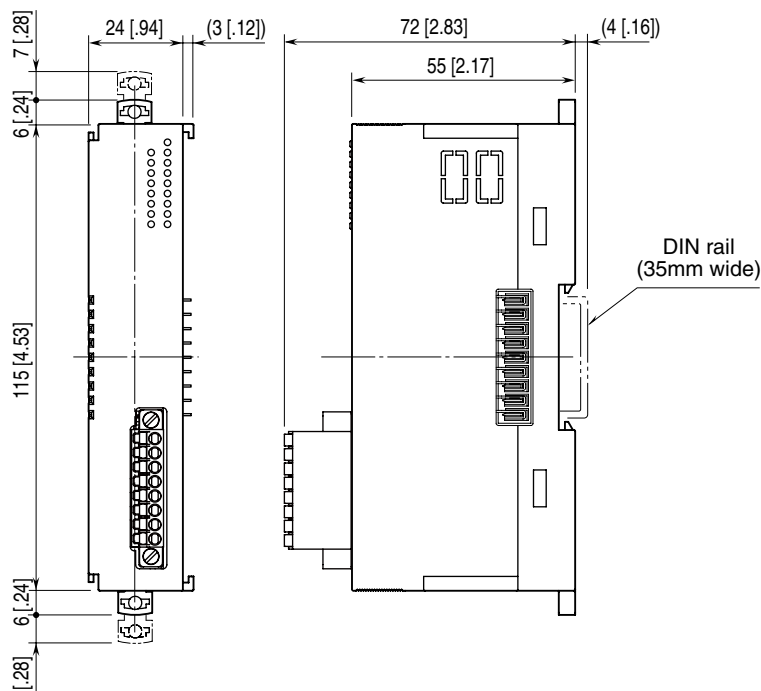
### ■ CHANNEL BATCH SETTING

ITEM	SETTING RANGE	DEFAULT VALUE
Version no.	–	–
Simulate output	Normal output Simulated data	Normal output
Output at the loss of communication	Hold the output data User set data output	Hold the output data

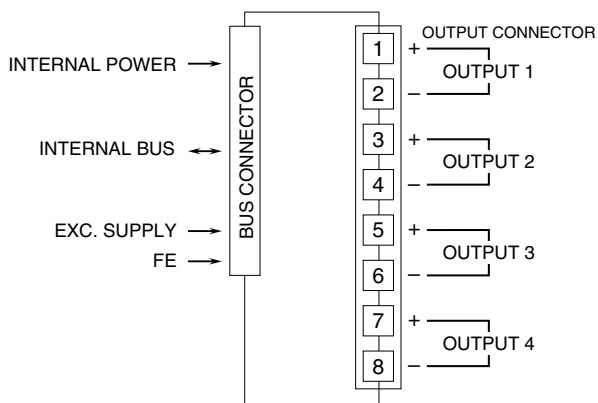
## TERMINAL CONNECTIONS

Connect the unit as in the diagram below.

### ■ EXTERNAL DIMENSIONS unit : mm [inch]



## ■ CONNECTION DIAGRAM



## WIRING INSTRUCTIONS

### ■ Tension clamp terminal block

**Unit side connector:** MC1,5/8-GF-3,5 (Phoenix Contact)

**Applicable connector:** FMC1,5/8-STF-3,5  
(Phoenix Contact)

**Applicable wire size:** 0.2 – 1.5 mm<sup>2</sup>

**Stripped length:** 10 mm

### Recommended solderless terminal

- AI0,25–10YE 0.25 mm<sup>2</sup> (Phoenix Contact)
- AI0,34–10TQ 0.34 mm<sup>2</sup> (Phoenix Contact)
- AI0,5–10WH 0.5 mm<sup>2</sup> (Phoenix Contact)
- AI0,75–10GY 0.75 mm<sup>2</sup> (Phoenix Contact)
- A1–10 1.0 mm<sup>2</sup> (Phoenix Contact)
- A1,5–10 1.5 mm<sup>2</sup> (Phoenix Contact)