

MULTI POWER MONITORING UNIT
(clamp-on current sensor CLSE, CC-Link)MODEL **R9CWTU****BEFORE USE**

Thank you for choosing us. Before use, please check contents of the package you received as outlined below.

If you have any problems or questions with the product, please contact our sales office or representatives.

■ PACKAGE INCLUDES:

Multi power monitoring unit.....(1)
Upper mounting adaptor.....(2)

■ MODEL NO.

Confirm Model No. marking on the product to be exactly what you ordered.

■ INSTRUCTION MANUAL

This manual describes necessary points of caution when you use this product, including installation, connection and basic maintenance procedures.

This unit is programmable by using the PC Configurator Software. For detailed information on the PC configuration, refer to the PMCFG users manual. The PMCFG PC Configurator Software is downloadable at our web site.

POINTS OF CAUTION**■ AUXILIARY POWER INPUT RATING & OPERATIONAL RANGE**

- Locate the auxiliary power input rating marked on the product and confirm its operational range as indicated below:

100 – 240V AC rating: 85 – 264V, 50/60 Hz, < 9 VA

110 – 240V DC rating: 99 – 264V, < 3W

■ GENERAL PRECAUTIONS

- Before you remove or mount the unit, turn off the power supply and input signal for safety.
- DO NOT set the switches on the module while the power is supplied. The switches are used only for maintenance without the power.

■ ENVIRONMENT

- Indoor use.
- Do not install the unit where it is directly exposed to rain, water droplets or sunlight.
- When heavy dust or metal particles are present in the air, install the unit inside proper housing with sufficient ventilation.
- Do not install the unit where it is subjected to continuous vibration. Do not subject the unit to physical impact.
- Environmental temperature must be within -10 to +55°C (14 to 131°F) with relative humidity within 30 to 90% RH in order to ensure adequate life span and operation.

■ WIRING

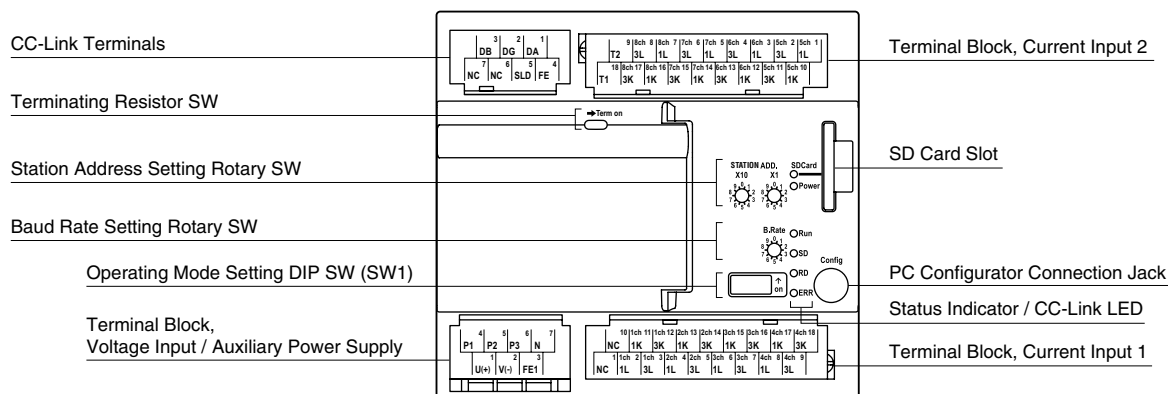
- Wiring to the unit must be conducted by qualified service personnel.
- Do not install cables close to noise sources (relay drive cable, high frequency line, etc.).
- Do not bind these cables together with those in which noises are present. Do not install them in the same duct.

■ AND

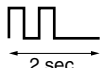
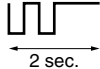

- The unit is designed to function as soon as power is supplied, however, a warm up for 10 minutes is required for satisfying complete performance described in the data sheet.

COMPONENT IDENTIFICATION

FRONT VIEW



STATUS INDICATOR

ID	COLOR	STATE	FUNCTION
SDCard	Red	Blinking approx. 1 Hz	The unit is preparing to write. The LED starts blinking 30 seconds before the unit starts writing in the SD card on the hour every hour. DO NOT extract the card while the LED shows the blinking pattern until the writing is complete.
			SD card access error. The unit is unable to normally write in the card because it is full or its data contents are damaged.
			SD card partial access error. The unit was unable to write in the card for unknown reason but now is recovered. A part of the data contents is missing.
		OFF	SD card not inserted.
		ON	SD card inserted.
		Blinking approx. 2 Hz	The unit is writing in the SD card. DO NOT extract the card.
Power	Red	ON	Normal
		Blinking approx. 0.5 Hz	Input overload or no input
		Blinking approx. 2 Hz	Setting error or device error
			Internal calendar error or calendar backup battery life expired. Re-set the calendar with the PC Configurator. The LED blinks in the designated pattern every time when the power is turned on after the battery life has been expired.
		OFF	Device error

■ CC-Link LED

RUN	ERR	SD *1	RD	STATUS *2
ON	BL	BL	ON	Communicates normally with occasional CRC errors due to noise interference.
ON	BL	BL	ON	Communicates normally but the Baud Rate and/or Station address switches failed. ERR LED blinks approximately in 0.5 seconds intervals.
ON	BL	BL	OFF	----
ON	BL	OFF	ON	CRC error detected in the received data. Unable to respond.
ON	BL	OFF	OFF	----
ON	OFF	BL	ON	Normal communication
ON	OFF	BL	OFF	----
ON	OFF	OFF	ON	Unable to receive data addressed to the station.
ON	OFF	OFF	OFF	----
OFF	BL	BL	ON	Polling response is made but CRC error is detected in received refresh data.
OFF	BL	BL	OFF	----
OFF	BL	OFF	ON	CRC error detected in the data addressed to the station.
OFF	BL	OFF	OFF	----
OFF	OFF	BL	ON	Link is not started.
OFF	OFF	BL	OFF	----
OFF	OFF	OFF	ON	No data addressed to the station. Or unable to receive data addressed to the station due to noise interference. (Missing parts of the data sent from the master)
OFF	OFF	OFF	OFF	Unable to receive data due to wire breakdown
OFF	ON	OFF	ON/ OFF	Faulty Baud Rate and/or Station Address setting
OFF	OFF	OFF	OFF	Power input removed or power supply failure.

OFF = OFF, ON = ON, BL = Blinking

*1. SD LED which is blinking may appear to be ON with high baud rate especially when fewer modules are connected.

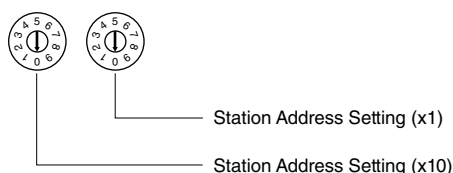
*2. LED combinations indicated with "----" do not occur in normal operation unless LED failure or the like occurs.

■ TERMINATING RESISTOR

To use the terminating resistor, turn the switch ON.

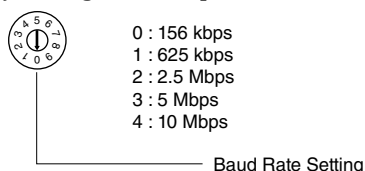
■ STATION ADDRESS

Station Address is selected between 1 and 64 in decimal. The left switch determines the tenth place digit, while the right switch does the ones place digit of the address. (Factory setting: 00)



■ BAUD RATE

Baud Rate is selected with the rotary switch. (Factory setting: 0: 156 kbps)



■ OPERATING MODE SETTING

(*) Factory setting

• System Configuration (SW1-1, 1-2)

SW1-1	SW1-2	SYSTEM CONFIGURATION
OFF	OFF	Three-phase / 3-wire (*)
ON	OFF	Single-phase / 2-wire
OFF	ON	Single-phase / 3-wire
ON	ON	-

• Balanced or Unbalanced Load (SW1-3)

SW1-3	BALANCED / UNBALANCED
OFF	Unbalanced (*)
ON	Balanced

• Clamp Sensor Type (SW1-4, 1-5, 1-6)

SW1-4	SW1-5	SW1-6	CLAMP SENSOR TYPE
OFF	OFF	OFF	CLSE-R5 (5A) (*)
ON	OFF	OFF	CLSE-05 (50A)
OFF	ON	OFF	CLSE-10 (100A)
OFF	OFF	ON	CLSE-20 (200A)
ON	ON	OFF	CLSE-40 (400A)
OFF	ON	ON	CLSE-60 (600A)

• Configuration Mode (SW1-8)

SW1-8	CONFIGURATION MODE
OFF	DIP switch setting (*) (PC Configurator setting is invalid.)
ON	PC Configurator and communication (DIP switch setting is invalid.)

Note 1: Turn on the power supply to the unit after setting station address, baud rate and operating mode.

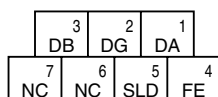
Note 2: Be sure to set unused SW1-7 to OFF.

Note 3: Clamp sensor type setting is common to all circuits.

Note 4: The sensor type and other settings for individual circuit can be performed on the PC Configurator or via CC-Link.

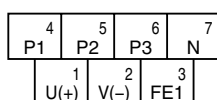
■ TERMINAL ASSIGNMENTS

• CC-Link



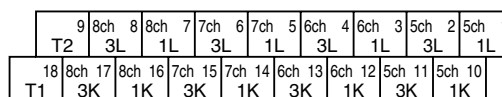
No.	ID	FUNCTION
1	DA	DA
2	DG	DG
3	DB	DB
4	FE	CC-Link ground
5	SLD	Shield
6	NC	Unused
7	NC	Unused

• Auxiliary Power Supply, Voltage Input



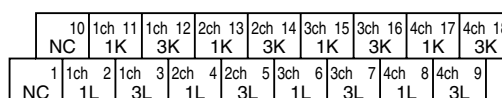
No.	ID	FUNCTION
1	U(+)	Auxiliary power (+)
2	V(-)	Auxiliary power (-)
3	FE1	Power ground
4	P1	Voltage input P1
5	P2	Voltage input P2
6	P3	Voltage input P3
7	N	Voltage input N

• Current Input 2



No.	ID	FUNCTION	No.	ID	FUNCTION
1	5ch 1L	Ch.5, Current input 1L	10	5ch 1K	Ch.5, Current input 1K
2	5ch 3L	Ch.5, Current input 3L	11	5ch 3K	Ch.5, Current input 3K
3	6ch 1L	Ch.6, Current input 1L	12	6ch 1K	Ch.6, Current input 1K
4	6ch 3L	Ch.6, Current input 3L	13	6ch 3K	Ch.6, Current input 3K
5	7ch 1L	Ch.7, Current input 1L	14	7ch 1K	Ch.7, Current input 1K
6	7ch 3L	Ch.7, Current input 3L	15	7ch 3K	Ch.7, Current input 3K
7	8ch 1L	Ch.8, Current input 1L	16	8ch 1K	Ch.8, Current input 1K
8	8ch 3L	Ch.8, Current input 3L	17	8ch 3K	Ch.8, Current input 3K
9	T2	Unused	18	T1	Unused

• Current Input 1



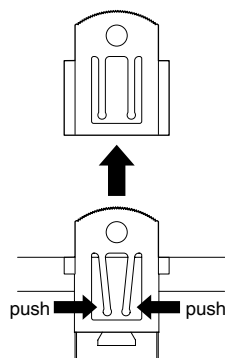
No.	ID	FUNCTION	No.	ID	FUNCTION
1	NC	Unused	10	NC	Unused
2	1ch 1L	Ch.1, Current input 1L	11	1ch 1K	Ch.1, Current input 1K
3	1ch 3L	Ch.1, Current input 3L	12	1ch 3K	Ch.1, Current input 3K
4	2ch 1L	Ch.2, Current input 1L	13	2ch 1K	Ch.2, Current input 1K
5	2ch 3L	Ch.2, Current input 3L	14	2ch 3K	Ch.2, Current input 3K
6	3ch 1L	Ch.3, Current input 1L	15	3ch 1K	Ch.3, Current input 1K
7	3ch 3L	Ch.3, Current input 3L	16	3ch 3K	Ch.3, Current input 3K
8	4ch 1L	Ch.4, Current input 1L	17	4ch 1K	Ch.4, Current input 1K
9	4ch 3L	Ch.4, Current input 3L	18	4ch 3K	Ch.4, Current input 3K

INSTALLATION

■ WALL MOUNTING

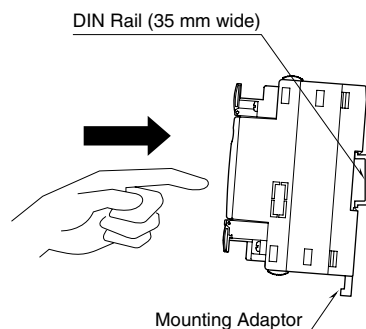
Attach the upper mounting adaptors to the upper side of the unit, and pull out the lower mounting adaptors from the lower side. Fasten a M4 screw through the mounting hole (4.5 mm dia.) of each adaptor. (torque 1.4 N·m)

To remove the upper mounting adaptor from the unit, pull it out while squeezing the latches as shown in the figure below.



■ DIN RAIL MOUNTING

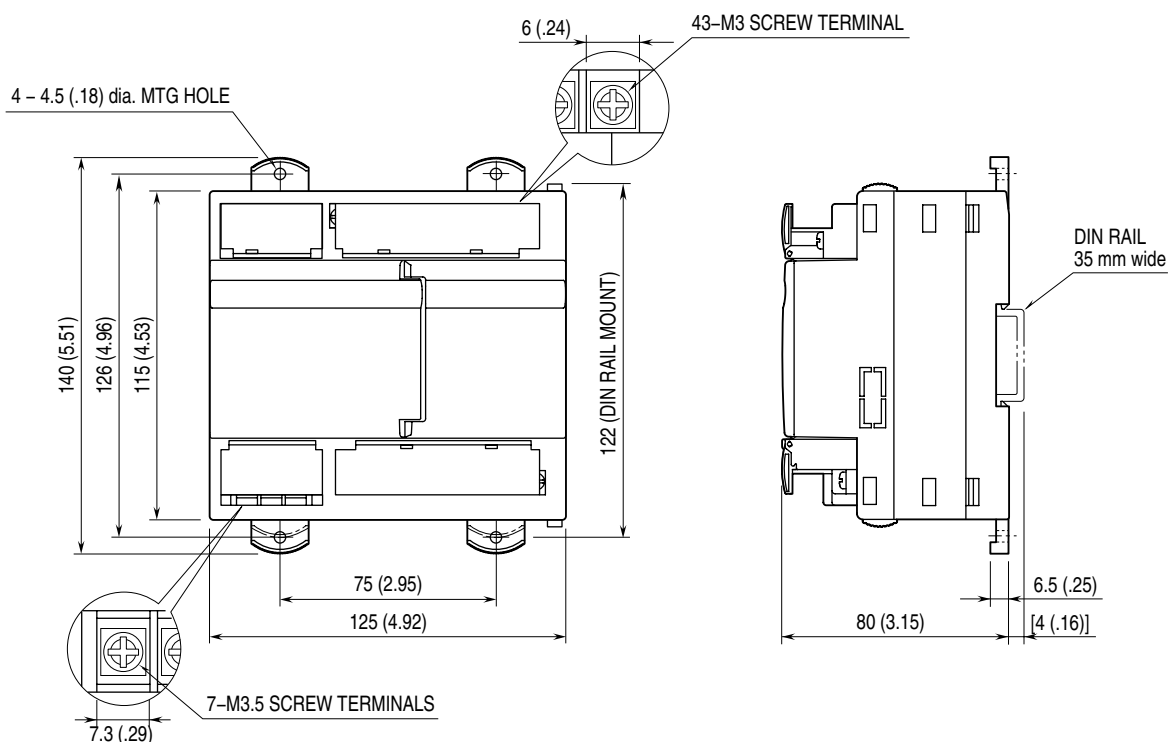
Set the unit so that the lower mounting adaptors are at the bottom. Hook the upper hook at the rear side of the unit onto the DIN rail and push in the lower part of the unit. When removing the unit, pull out the unit while pushing down the adaptors using a minus screwdriver.



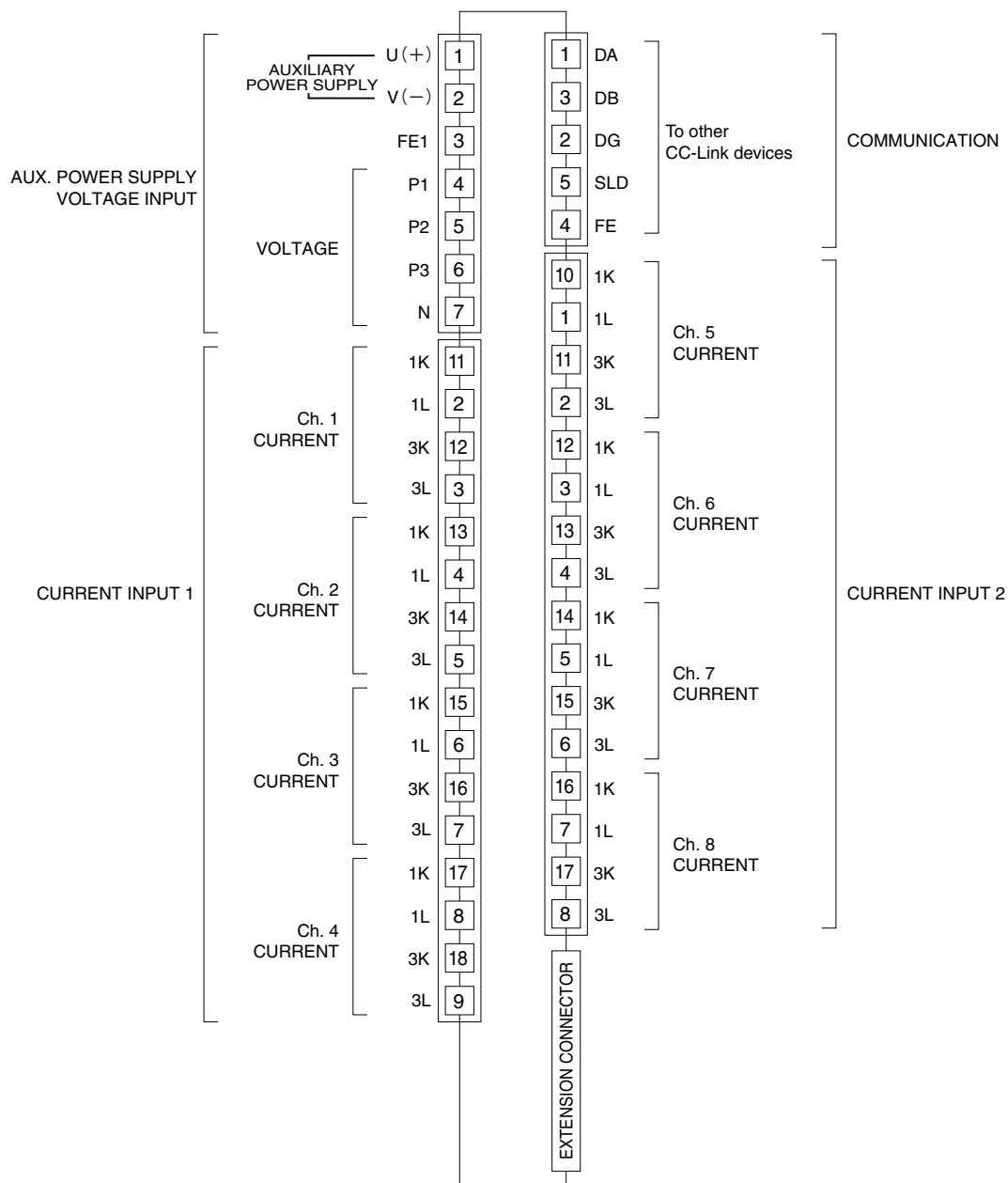
TERMINAL CONNECTIONS

Connect the unit as in the diagram below.

■ EXTERNAL DIMENSIONS unit: mm (inch)



■ CONNECTION DIAGRAM



INPUT WIRING

Use the model CLSE clamp sensor for current inputs.

The figure below shows only one circuit.

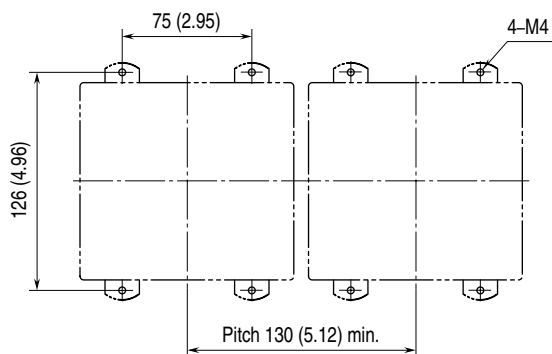
A maximum of eight (8) current sensor inputs can be connected (Ch. 1 through Ch. 8).

Grounding is not required for low voltage circuits.

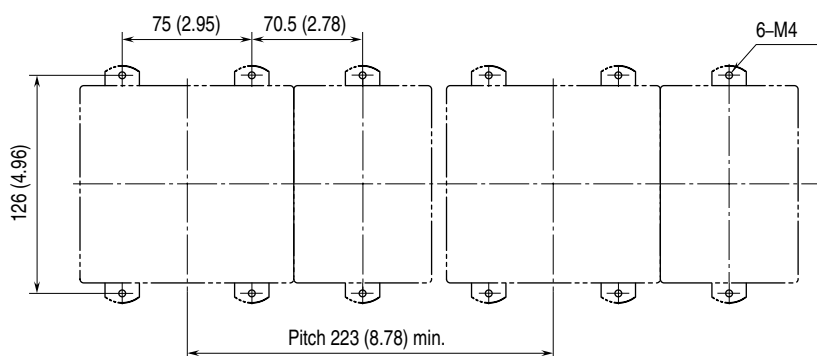
System / Application	Terminal	System / Application	Terminal
Single-phase / 2-wire		Three-phase / 3-wire balanced load	
Single-phase / 3-wire		Three-phase / 3-wire unbalanced load	

MOUNTING REQUIREMENTS unit: mm (inch)

SINGLE MOUNTING



BASIC + EXTENSION UNIT



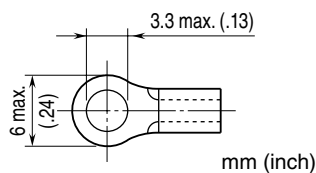
WIRING INSTRUCTIONS

■ SOLDERLESS TERMINAL

Refer to the drawing below for recommended ring tongue terminal size.
Spade tongue type is also applicable.

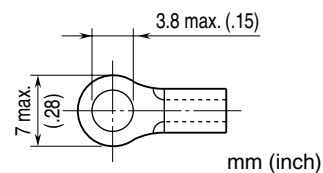
• M3 Screw (CC-Link and current input)

Applicable wire size: 0.25 to 1.65 mm² (AWG22 to 16)
Torque: 0.5 N·m



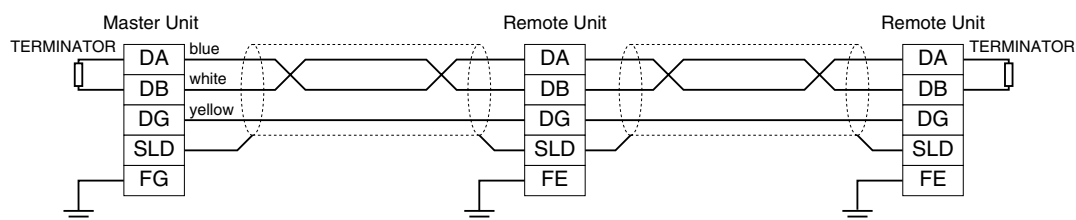
• M3.5 Screw (auxiliary power and voltage input)

Applicable wire size: 1.04 to 2.63 mm² (AWG16 to 14)
Torque: 0.8 N·m



COMMUNICATION CABLE CONNECTIONS

■ MASTER CONNECTION



Be sure to connect the terminating resistor across DA and DB at both ends of communication line.
When this unit is located at an end, turn the terminating resistor SW ON.
The Master Unit can be located at not only both ends but also any node of the of communication line.

CC-Link - COMMUNICATION (CC-Link Ver.1.10)

■ CC-Link COMMUNICATION

Version	Version 1.10
Station address	1 through 64
Baud rate	156 kbps, 625 kbps, 2.5 Mbps, 5 Mbps, 10 Mbps
Station type	Remote Device
No.of occupied stations	1

■ READING/WRITING VIA CC-Link

In order to read measured data from or write new settings to the R9CWTU, access registers in the unit via CC-Link according to the tables below.

All registers are composed of two words in signed integer. Negative values are in two's complements.

Refer to "CC-Link - OPERATIONS" in this manual for register numbers and their contents.

• Master to Slave (R9CWTU)

Bit data	RY0	Set ON in order to execute the command. (Set OFF after RX0 turns ON.)
	RY1	Command 0: Reading 1: Writing
Word data	RWw0	Register number
	RWw1	----
	RWw2	Data to write (LSW)
	RWw3	Date to write (MSW)

• Slave (R9CWTU) to Master

Bit data	RX0	Turns ON when the command executed (Turns OFF after RY0 set OFF)
	RX1	Same as RY1
	RX1A	R9CWTU system error
Word data	RX1B	Ready
	RWr0	Same as RWw0
	RWr1	Error code
	RWr2	Data to read (LSW)
	RWr3	Data to read (MSW)

Note: Only for date/time setting, the three registers must be written at once

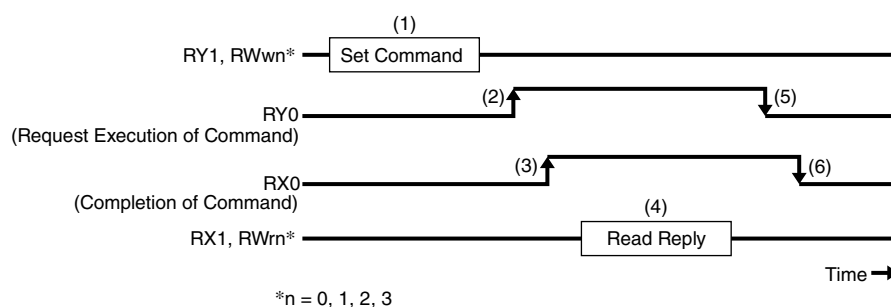
RWw0	The first register
RWw1	Year/month
RWw2	Date/time
RWw3	Minute/second

The registers must be read one by one.

■ READING/WRITING PROCEDURE

The sequence (1) through (6) shown in below is the procedure to read/write a set of data.

When you need to read/write continuously, repeat the sequence.



■ DETAIL OF READING/WRITING SEQUENCE

Sequence (1)

• Read command

Set register number in RWw0.

Turn RY1 OFF.

• Write command

Set register number in RWw0.

Set the data to write in RWw2 and RWw3.

Turn RY1 ON.

• Master to Slave (R9CWTU)

COMMAND	READ	WRITE
RY1	OFF	ON
RWw0	Register number	Register number
RWw2	----	Data to write (LSW)
RWw3	----	Data to write (MSW)

Sequence (2)

Turn RY0 ON.

Upon receiving a command, the unit copies RY1, RWw0, RWw2, RWw3 to RX1, RWr0, RWr2, RWr3, respectively.

• Master to Slave (R9CWTU)

REQUEST	READ	WRITE
RY0	ON	ON

• Slave (R9CWTU) to Master

ACKNOWLEDGE	READ	WRITE
RX1	OFF	ON
RWr0	Register number	Register number
RWr2	----	Data to write (LSW)
RWr3	----	Data to write (MSW)

Sequence (3)

Following the completion of a command, the unit sets reply data in RWr2 and RWr3, and turns RX0 ON.

• Slave (R9CWTU) to Master

RESPONSE	READ	WRITE
RX0	ON	ON
RWr1	Error code	Error code
RWr2	Data to read (LSW)	----
RWr3	Data to read (MSW)	----

• Error Codes

ERROR CODE	COMMAND	CONTENTS
100H	READ	No error
111H		Command error
112H		Device error (Time out)
113H		Device error (Communication)
200H	WRITE	No error
211H		Command error
212H		Device error (Time out)
213H		Device error (Communication)

Note: Check the R9CWTU's fault, if device error repeats.

Sequence (4)

Confirm RX0 is ON, and then read in reply data.

Sequence (5)

Turn RY0 OFF.

• Master to Slave (R9CWTU)

COMPLETION	READ	WRITE
RY0	OFF	OFF

Sequence (6)

Confirming RY0 is OFF, the unit turns RX0 and RX1 OFF and clears RWr0 through RWr3 (sets OFF).

ACKNOWLEDGING COMPLETION	READ	WRITE
RX1	OFF	OFF
RWr0	0	0
RWr1	0	0
RWr2	0	0
RWr3	0	0

CC-Link - COMMUNICATION (CC-Link Ver.2.0)

Model: R9CWTU-2001-AD4/2 supports CC-Link Ver.2.0.

■ CC-Link COMMUNICATION

Version	Version 2.0
Station address	1 through 61
Baud rate	156 kbps, 625 kbps, 2.5 Mbps, 5 Mbps, 10 Mbps
Station type	Remote Device
No. of occupied stations	4 (fixed)
Extended cyclic	8 times (fixed)

■ CC-Link Remote I/O

Table below shows the number of I/O points per unit.

CC-Link Remote I/O			No. of points	
			Decimal	Hexadecimal
Bit data	Output	RY	896 (0 to 895)	380 (0 to 37F)
	Input	RX	896 (0 to 895)	380 (0 to 37F)
Word data	Output	RWw	128 (0 to 127)	80 (0 to 7F)
	Input	RWr	128 (0 to 127)	80 (0 to 7F)

■ READING VIA CC-Link

A maximum of 62 points of data can be specified among measured data, device status data, and setting data to be read any-time via CC-Link. Write the register number to read in the RWw area in 2 words (32 bits) so that the register value is read out in the corresponding RWr area in 2 words (32 bits).

While the register number is set in the RWw area, data in the RWr area is updated regularly. The updating frequency is approx. 200 msec. for 1 point of data and 600 msec. for 62 points of data. Set 0 for the register numbers not to be read so that the updating frequency becomes faster.

The register numbers for the current date/time are always read without specifying.

Refer to “CC-LINK REGISTER ASSIGNMENT (BIT)” and “CC-LINK REGISTER ASSIGNMENT (WORD)” in this manual for how to read the respective registers.

Note: When the register number has been written in the RWr area for the first time after startup of the R9CWTU unit, wait for 2 seconds or more before reading data in the RWr area until its value changes from 0.

This applies also to when the register number has been changed.

■ WRITING VIA CC-Link

Resetting accumulated values, setting current date/time, manipulating DO (discrete output) when a discrete I/O extension unit (model: R9WTU-ED16) is connected are performed through writing in the corresponding registers via CC-Link, Other settings can be performed on the PC configurator software.

Refer to “CC-LINK REGISTER ASSIGNMENT (BIT)” and “CC-LINK REGISTER ASSIGNMENT (WORD)” in this manual for how to write in the respective registers.

■ CC-LINK REGISTER ASSIGNMENT (BIT)

	CC-Link I/O (hexadecimal)	REGISTER ASSIGNMENT	DESCRIPTION	
Bit (Output)	RY000 to RY00F	1 ch Reset accumulated value	Write 1 to the corresponding bit to reset the accumulated value. Confirm that the value has been reset or wait for 2 seconds or more before writing 0 to the bit again. Be sure to set the writing permission code to RWw7F in advance.	
	RY010 to RY01F	2 ch Reset accumulated value		
	:	:		
	RY070 to RY07F	8 ch Reset accumulated value		
				RY0[]0: Totalized energy RY0[]1: Energy per hour RY0[]2: Average current RY0[]3: Average power RY0[]4: Voltage max. / min. (for ch 1 only) RY0[]5: Current max. / min. RY0[]6: Power max. / min. RY0[]7: Power factor max. / min. RY0[]8: Frequency max. / min. (for ch 1 only) RY0[]9: Average current max. / min. RY0[]A: Average power max. / min. RY0[]B: Voltage harmonic distortion max. (for ch 1 only) RY0[]C: Current harmonic distortion max. RY0[]D to F: Unused
	RY080 to RY08F	9 ch (DI1) Reset accumulated value	Write 1 to the corresponding bit of the counter to reset the accumulated value. Confirm that the value has been reset or wait for 2 seconds or more before writing 0 to the bit again. Be sure to set the writing permission code to RWw7F in advance.	
	RY090 to RY09F	10 ch (DI2) Reset accumulated value		
	:	:		
	RY0F0 to RY0FF	16 ch (DI8) Reset accumulated value		
				<ul style="list-style-type: none"> • When the extension unit R9WTU-EP8 is connected: The same bit pattern as “1 to 8 ch Reset accumulated value”. • When the extension unit R9WTU-ED16 is connected: RY0[]0: Accumulated pulse count RY0[]1: Pulse count per hour RY0[]2 to F: Unused
	RY100 to RY17F	Unused	–	
	RY180	Trigger to write date/time setting	Set 1 for writing the date/time set in RWw124 to RWw126 to the unit. Confirm that the value has been reset or wait for 2 seconds or more before writing 0 to the bit again. Be sure to set the writing permission code to RWw7F in advance.	
	RY181 to RY18F	Unused	–	
	RY190	DO1	When the extension unit R9WTU-ED16 is connected, ON/OFF of discrete output can be operated. 0: OFF 1: ON	
RY191	DO2			
:	:			
RY197	DO8			
RY198 to RY37F	Unused	–		
Bit (Input)	RX000 to RX00F	Device status	When an error has occurred, the corresponding bit turns to 1. RX000: Overload RX001: Realtime clock error RX002: Internal communication error RX003: Setting error RX004: System error	
	RX010 to RX379	Unused	–	
	RX37A	Error signal	The bit turns to 1 when a setting error or device error has occurred.	
	RX97B	Ready signal	The bit turns to 1 when the unit is ready.	
	RX37C to RX37F	Unused	–	

■ CC-LINK REGISTER ASSIGNMENT (WORD)

	CC-Link I/O (hexadecimal)	REGISTER ASSIGNMENT	DESCRIPTION
Word (Output)	RWw00 / RWw01 :	Specify the register number to read in 2 words. (Set 0 when data is not to be read)	When the register number has been specified for the first time after startup of the R9CWTU unit, wait for 2 seconds or more until read data is reflected. This applies also to when the register number has been changed. Set 0 for registers for which data is not read so that the updating frequency becomes faster.
	RWw7A / RWw7B		
	RWw7C	Current date/time (year/month)	Set a two-digit BCD value to each register. (Year: last two digits; Hour: 0 to 23) After setting date/time, set 1 to RY180 to write data into the unit. Confirm that the values have been reflected or wait for 2 seconds or more before writing 0 to RY180 again.
	RWw7D	Current date/time (date/hour)	
	RWw7E	Current date/time (minute/second)	
	RWw7F	Passcode to permit writing: 22136	Be sure to write the passcode in the register before setting date/time and resetting each accumulated value. The passcode is not required for ON/OFF operation of DO.
	Word (Input)	RWr00 / RWr01 :	Read data of the register number specified in the corresponding RWw area in 2 words.
RWr7A / RWr7B			
RWr7C		Read current date/time (year/ month)	Each data is read out in a two-digit BCD value. (Year: last two digits; Hour: 0 to 23)
RWr7D		Read current date/time (date/hour)	
RWr7E		Read current date/time (minute/ second)	
RWr7F		Unused	—

■ EXAMPLE OF HOW TO READ MEASURED DATA

• DATA: 2ch Totalized energy (register number: 4481)

- Set “4481” to [RWw00 / RWw01 (Hex)] in 32 bits.
- Totalized energy data is read out in [RWr00 / RWr01 (Hex)] in 32 bits (two’s complements) and updated regularly.

■ EXAMPLE OF HOW TO SET DATE/TIME

• DATE/TIME: 2013/06/14 15:00:30

- Set “22136” to [RWw7F (Hex)] in 16 bits.
- Set “1306 (Hex)” to [RWw7C (Hex)] in 16 bits.
- Set “1415 (Hex)” to [RWw7D (Hex)] in 16 bits.
- Set “0030 (Hex)” to [RWw7E (Hex)] in 16 bits.
- Set “1” to [RWY180 (Hex)]
- Confirm that the values have been reflected or wait for 2 seconds or more before setting 0 to [RY180 (Hex)] again.

Note: Date/time setting will not be reflected when the current time of the R9CWTU unit changes to the next minute (i.e. 55 to 05 second). Avoid these time periods when setting data/time.

CC-Link - OPERATIONS

CC-Link Version	Compatibility
1.10	✓
2.0	—

■ CC-Link REGISTER ACCESS SETTING

REGISTER	PARAMETER
8977	<p>Passcode entry for deactivating CC-Link register write protection</p> <p>Write a preset passcode in this register to deactivate the write protection via CC-Link.</p> <p>When the value set in this register matches the preset passcode, '1' is set in the register address 8979 to enable writing in CC-Link registers.</p> <p>The value set in this register cannot be read out. It reads always '-1' regardless of the set value.</p> <p>When writing in the CC-Link registers for setting change is complete, be sure to set a value ('0' is recommended) other than the passcode to activate the write protection again.</p>
8979	<p>CC-Link register access setting</p> <p>0 : Write disable (*)</p> <p>1 : Write enable</p> <p>Other : Write disable</p> <p>This setting is cleared when the power supply to the unit is removed. It always starts with '0' (Write disable) when the power supply is turned on. Set '1' before writing in other registers.</p> <p>Note that '1' (Write enable) cannot be written in this register when the CC-Link register write protection passcode is preset and the write protection is enabled.</p> <p>Be sure to write the correct passcode in the register address 8977 before changing the register setting from '0' (Write disable) to '1' (Write enable).</p>

(*) Factory setting

SYSTEM OPERATIONS

System operations include resetting accumulated values and rebooting.

REGISTER	PARAMETER
8993	Reboot system Write '10001' to reboot the system. (Any other values can be written but invalid.)
8994	Setting CC-Link register write protection passcode Set a passcode for enabling/disabling writing in registers via CC-Link. 0 : Cancel write protection (*) 1 to 999 999 999: The set value is used as the passcode Write the passcode in the register address 8977 before setting '1' in the address 8979 to deactivate the write protection. The value in this register is encrypted when it is read out. Only '0' (Cancel write protection) is read out as it is. When a new passcode is written, the register address 8979 is immediately reset to '0' so as to limit the next write command in access.
8996	<p>Ch. 1 Reset count Resetting specific count values among the channel 1 counts by writing a bit pattern as shown below. Resetting is not executed for the bits set to '0.'</p> <p>Bit 15 14 13 12 11 10 9 8 7 6 5 4 3 2 1 0</p> <p>Current harmonic distortion, max. _____</p> <p>Voltage harmonic distortion, max.* _____</p> <p>Average power, max. / min. _____</p> <p>Average current, max. / min. _____</p> <p>Frequency, max. / min. _____</p> <p>Power factor, max. / min. _____</p> <p>Power, max. / min. _____</p> <p>Current, max. / min. _____</p> <p>Voltage, max. / min. _____</p> <p>Average power _____</p> <p>Average current _____</p> <p>Energy count per time unit _____</p> <p>Totalized energy _____</p> <p>*Resetting voltage related values is available only at Ch. 1.</p>
8997	Ch. 2 Reset count
8998	Ch. 3 Reset count
:	:
9003	Ch. 8 Reset count
9004	<p>Ch. 9 Reset count (DI 1 Reset count) With the R9WTU-ED16 module, resetting specific count values among the DI 1 counts by writing a bit pattern as shown below. Resetting is not executed for the bits set to '0.'</p> <p>Bit 15 14 13 12 11 10 9 8 7 6 5 4 3 2 1 0</p> <p>Pulse count per time unit _____</p> <p>Totalized pulse count _____</p> <p>With the R9WTU-EP8 module, Ch. 9 bit pattern is identical to that for Ch. 1.</p>
9005	Ch. 10 Reset count (DI 2 Reset count)
9006	Ch. 11 Reset count (DI 3 Reset count)
:	:
9011	Ch. 16 Reset count (DI 8 Reset count)

CC-Link SETTING

CC-Link Version	Compatibility
1.10	✓
2.0	Read only

SYSTEM SETTING

REGISTER	PARAMETER	UNIT
9041	System configuration 0 : Single-phase / 2-wire (1CT) 1 : Single-phase / 3-wire (2CT) 2 : Three-phase / 3-wire, balanced load (1CT) 3 : Three-phase / 3-wire, unbalanced load (2CT) (*)	---
9042	Reserved	
9043	Reserved	
9044	VT rating, Primary 0 to 400 000 : Voltage (V) Factory setting : 110	V
9046	VT rating, Secondary 50 to 500 : Voltage (V) Factory setting : 110 The secondary can be set up to 500V. However, this does not mean the unit accepts 500V for input. Do not use with the condition exceeding input rating written in the specification sheet of the unit.	V
9047	Reserved	
9048	Reserved	
9049	Low-end cutout, Voltage 0 to 999 : Rated voltage × 0.001 × Specified value Factory setting : 10	%/10

(*) Factory setting

DEMAND SETTING

REGISTER	PARAMETER	UNIT
9057	Average (demand) current update interval 1 to 30 : Minutes Factory setting : 30 Data updated at the integral multiple minutes of the setting (e.g. Setting = 15 minutes, Updated at 0, 15, 30, and 45 minutes every hour)	Minutes
9058	Average (demand) power update interval 1 to 30 : Minutes Factory setting : 30 Data updated at the integral multiple minute of the setting	Minutes

STYLE SETTING

REGISTER	PARAMETER
9073	Power factor (PF1 through PF3, PF) sign 0 : Standard (IEC), Identical to the active energy (*) 1 : Special type 1 (IEEE), Positive in LAG, Negative in LEAD
9074	Reactive power (Q1 through Q3, Q) sign 0 : Standard (IEC), Positive from PF = 1.0 to 180° in LAG direction; Negative for the other direction (*) 1 : Special type 1, Positive in LAG, Negative in LEAD
9075	Reactive power (Q1 through Q3) calculation (Q = Q1 + Q2 + Q3) 0 : Standard (*) $Q_n = \sqrt{S_n^2 - P_n^2}$ 1 : Reactive power meter method $Q_n = \frac{1}{N_{smp}} \sum_{i=1}^{N_{smp}} (U_{ni} - N_{ui}) I_{i + (N_{smp} / 4)}$
9076	Apparent power (S) calculation 0 : Standard (*) $S = \sqrt{P^2 + Q^2}$ 1 : Sum $S = S1 + S2 + S3$

Note: '1,' '2,' '3' in expressions like Q1, Q2, Q3 indicate 'R,' 'S,' 'T' phases' respectively.

■ DATE/TIME SETTING

The three registers must be written at once.

REGISTER	PARAMETER
9105	Current date/time setting Reading/writing the current date and time. Data/time is stored in BCD format in the following register: Register b15 b8 b7 b0 9105 BCD Year (00 to 99) BCD Month (01 to 12) 9106 BCD Day (01 to 31) BCD Hour (00 to 23) 9107 BCD Minute (00 to 59) BCD Second (00 to 59)

■ SENSOR SETTING

REGISTER	PARAMETER	UNIT
9393	Ch. 1 CT rating, Primary 1 to 20 000 : Current (A) Factory setting : 5 Valid only for the sensor type CLSE-R5. Selected sensor's rating is automatically set for other types of sensors.	A
9394	Ch. 1 CT sensor type 0 : CLSE-R5 (*) 1 : CLSE-05 2 : CLSE-10 3 : CLSE-20 4 : CLSE-40 5 : CLSE-60 6 : Reserved 7 : Reserved	---
9395	Low-end cutout, Current Ch. 1 0 to 999 : Rated current × 0.001 × Specified value Factory setting : 10	%/10
9396	Reserved	
9397 :	Ch. 2 setting Same as with the register 9393 through 9396	---
9400 :	:	
9453 :	Ch. 16 setting Same as with the register 9393 through 9396	---
9456	Ch. 9 through 16 are valid only when the R9WTU-EP8 is used.	

■ DEVICE STATUS

REGISTER	PARAMETER																																		
9537	<p>Ch. 1 and Ch. 2 System error Bit assignment as shown below.</p> <table border="1"> <tr> <td>Bit</td> <td>15</td> <td>14</td> <td>13</td> <td>12</td> <td>11</td> <td>10</td> <td>9</td> <td>8</td> <td>7</td> <td>6</td> <td>5</td> <td>4</td> <td>3</td> <td>2</td> <td>1</td> <td>0</td> </tr> <tr> <td></td> <td></td> <td></td> <td></td> <td></td> <td></td> <td></td> <td></td> <td></td> <td></td> <td></td> <td>STAT</td> <td>AVG</td> <td>ENE</td> <td>SET</td> <td>FDT</td> <td>PRG</td> </tr> </table> <p>PRG : Control software error FDT : Factory calibration data error SET : User setting data error ENE : Energy data error AVG : Average data error STAT : Maximum / minimum data error '1' is placed when the respective errors are detected. All measuring operations stop while one or more system errors are detected.</p>	Bit	15	14	13	12	11	10	9	8	7	6	5	4	3	2	1	0												STAT	AVG	ENE	SET	FDT	PRG
Bit	15	14	13	12	11	10	9	8	7	6	5	4	3	2	1	0																			
											STAT	AVG	ENE	SET	FDT	PRG																			
9538	<p>Ch. 3 and Ch. 4 System error Same as with the register 9537</p>																																		
:	:																																		
9544	<p>Ch. 15 and Ch. 16 System error Same as with the register 9537 Ch. 9 through 16 are valid only when the R9WTU-EP8 is used.</p>																																		
9545	<p>Ch. 1 Input overload Bit assignment as shown below.</p> <table border="1"> <tr> <td>Bit</td> <td>15</td> <td>14</td> <td>13</td> <td>12</td> <td>11</td> <td>10</td> <td>9</td> <td>8</td> <td>7</td> <td>6</td> <td>5</td> <td>4</td> <td>3</td> <td>2</td> <td>1</td> <td>0</td> </tr> <tr> <td></td> <td></td> <td></td> <td></td> <td>F</td> <td></td> <td>U31</td> <td>U23</td> <td>U12</td> <td></td> <td>U3N</td> <td>U2N</td> <td>U1N</td> <td></td> <td>I3</td> <td>I2</td> <td>I1</td> </tr> </table> <p>F : Frequency I1 : Line 1 current I2 : Line 2 current I3 : Line 3 current U1N : Phase 1 voltage U2N : Phase 2 voltage U3N : Phase 3 voltage U12 : Line 1 - 2 voltage U23 : Line 2 - 3 voltage U31 : Line 3 - 1 voltage '1' is placed at the bit where an overload is detected.</p>	Bit	15	14	13	12	11	10	9	8	7	6	5	4	3	2	1	0					F		U31	U23	U12		U3N	U2N	U1N		I3	I2	I1
Bit	15	14	13	12	11	10	9	8	7	6	5	4	3	2	1	0																			
				F		U31	U23	U12		U3N	U2N	U1N		I3	I2	I1																			
9546	<p>Ch. 2 Input overload Same as with the register 9545</p>																																		
:	:																																		
9560	<p>Ch. 16 Input overload Same as with the register 9545 Ch. 9 through 16 are valid only when the R9WTU-EP8 is used.</p>																																		

■ DEVICE INFORMATION

REGISTER	PARAMETER																											
9601	Device ID 9901 : R9xWTU																											
9602	Device version Version number × 100 (e.g. Version 1.00 = 100)																											
9603	Serial No. Each character is stored in the following register: <table border="1"> <thead> <tr> <th>Register</th> <th>Upper Byte</th> <th>Lower Byte</th> </tr> </thead> <tbody> <tr> <td>9603</td> <td>2nd</td> <td>1st</td> </tr> <tr> <td>9604</td> <td>4th</td> <td>3rd</td> </tr> <tr> <td>9605</td> <td>6th</td> <td>5th</td> </tr> <tr> <td>9606</td> <td>8th</td> <td>7th</td> </tr> </tbody> </table>	Register	Upper Byte	Lower Byte	9603	2nd	1st	9604	4th	3rd	9605	6th	5th	9606	8th	7th												
Register	Upper Byte	Lower Byte																										
9603	2nd	1st																										
9604	4th	3rd																										
9605	6th	5th																										
9606	8th	7th																										
9607	Tag name This register is writable. Each character is stored in the following register: <table border="1"> <thead> <tr> <th>Register</th> <th>Upper Byte</th> <th>Lower Byte</th> </tr> </thead> <tbody> <tr> <td>9607</td> <td>2nd</td> <td>1st</td> </tr> <tr> <td>9608</td> <td>4th</td> <td>3rd</td> </tr> <tr> <td>9609</td> <td>6th</td> <td>5th</td> </tr> <tr> <td>9610</td> <td>8th</td> <td>7th</td> </tr> <tr> <td>9611</td> <td>10th</td> <td>9th</td> </tr> <tr> <td>9612</td> <td>12th</td> <td>11th</td> </tr> <tr> <td>9613</td> <td>14th</td> <td>13th</td> </tr> <tr> <td>9614</td> <td>16th</td> <td>15th</td> </tr> </tbody> </table>	Register	Upper Byte	Lower Byte	9607	2nd	1st	9608	4th	3rd	9609	6th	5th	9610	8th	7th	9611	10th	9th	9612	12th	11th	9613	14th	13th	9614	16th	15th
Register	Upper Byte	Lower Byte																										
9607	2nd	1st																										
9608	4th	3rd																										
9609	6th	5th																										
9610	8th	7th																										
9611	10th	9th																										
9612	12th	11th																										
9613	14th	13th																										
9614	16th	15th																										
9623	Extension function flag Reading the following values depending upon the function: 0002H : RS-485 (Modbus RTU) 0080H : LonWORKS 0100H : CC-Link 2000H : Modbus/TCP																											
9624	Number of discrete input 0 : None 8 : 8 points (with the R9WTU-ED16)																											
9625	Number of discrete output 0 : None 8 : 8 points (with the R9WTU-ED16)																											
9626	Reserved																											
9627	Number of circuits 8 : 8 circuits 16 : 16 circuits (with the R9WTU-EP8)																											
9628	Number of counters 0 : None 8 : 8 points (with the R9WTU-ED16)																											

CC-Link MAPPING

CC-Link Version	Compatibility
1.10	✓
2.0	Read only

■ PARAMETER TYPES

TYPE	UNIT	RANGE														
Current	mA	0 to 2 000 000 000 mA														
Voltage	V/100	0 to 20 000 000.00 V														
Active power	W	-2 000 000 000 to 2 000 000 000 W														
Reactive power	var	-2 000 000 000 to 2 000 000 000 var														
Apparent power	VA	0 to 2 000 000 000 VA														
Power factor	cos φ	-1.0000 to 1.0000														
Frequency	Hz/100	0 or 40.00 Hz to 70.00 Hz														
Active energy	kWh/10	0 to 99 999 999.9 kWh *1														
Reactive energy	kvarh/10	0 to 99 999 999.9 kvarh *1														
Harmonic distortion	%/10	0 to 999.9 %														
Date/time	---	<p>Each value is in BCD format, assigned to one word. Total three registers are used. Year value represented in the offset from 2000. e.g. 100817160752h = Year 2010, August 17, 16:07:52</p> <table border="1" style="margin-left: auto; margin-right: auto;"> <tr> <td>b48</td><td>b40 b39</td><td>b32 b31</td><td>b24 b23</td><td>b16 b15</td><td>b8 b7</td><td>b0</td> </tr> <tr> <td>Year</td><td>Month</td><td>Day</td><td>Hour</td><td>Minute</td><td>Second</td><td></td> </tr> </table> <p><--- register 1 ---><--- register 2 ---><--- register 3 ---></p>	b48	b40 b39	b32 b31	b24 b23	b16 b15	b8 b7	b0	Year	Month	Day	Hour	Minute	Second	
b48	b40 b39	b32 b31	b24 b23	b16 b15	b8 b7	b0										
Year	Month	Day	Hour	Minute	Second											

*1. Reset to 0 at overflow

■ REGISTERS

If base registers and offset is given separately in the following tables, add both values to determine the register for a particular parameter.

[Example]

Ch. 1, Line 1 current, Present value = 65 + 0 = 65

Ch. 1, Line 1 current, Max. value = 65 + 10 = 75

• Voltage and Frequency

PARAMETER	PRESENT	MAX	MIN
Delta voltage, 1 – 2	1	17	33
Delta voltage, 2 – 3	3	19	35
Delta voltage, 3 – 1	5	21	37
Phase voltage, Phase 1	7	23	39
Phase voltage, Phase 2	9	25	41
Phase voltage, Phase 3	11	27	43
Total voltage *2	13	29	45
Frequency	15	31	47

*2. Total voltage

Single-phase/2-wire: Phase 1 voltage

Single-phase/3-wire: (Phase 1 + 3) / 2

Three-phase/3-wire: {Delta (1 – 2) + (2 – 3) + (3 – 1)} / 3

• Current

PARAMETER	BASE REGISTERS
BASIC UNIT	
Ch. 1 Current	65
Ch. 2 Current	97
Ch. 3 Current	129
Ch. 4 Current	161
Ch. 5 Current	193
Ch. 6 Current	225
Ch. 7 Current	257
Ch. 8 Current	289
R9WTU-EP8	
Ch. 9 Current	321
Ch. 10 Current	353
Ch. 11 Current	385
Ch. 12 Current	417
Ch. 13 Current	449
Ch. 14 Current	481
Ch. 15 Current	513
Ch. 16 Current	545

PARAMETER	OFFSET		
	PRESENT	MAX	MIN
Current, Line 1	+0	+10	+20
Current, Line 2	+2	+12	+22
Current, Line 3	+4	+14	+24
Neutral current	+6	+16	+26
Total current *3	+8	+18	+28

*3. Total current

Single-phase/2-wire: Line 1 current

Single-phase/3-wire: (Line 1 + 3) / 2

Three-phase/3-wire: (Line 1 + 2 + 3) / 3

• Power and Power Factor

PARAMETER	BASE REGISTERS
BASIC UNIT	
Ch. 1 Power, Power factor	577
Ch. 2 Power, Power factor	673
Ch. 3 Power, Power factor	769
Ch. 4 Power, Power factor	865
Ch. 5 Power, Power factor	961
Ch. 6 Power, Power factor	1057
Ch. 7 Power, Power factor	1153
Ch. 8 Power, Power factor	1249
R9WTU-EP8	
Ch. 9 Power, Power factor	1345
Ch. 10 Power, Power factor	1441
Ch. 11 Power, Power factor	1537
Ch. 12 Power, Power factor	1633
Ch. 13 Power, Power factor	1729
Ch. 14 Power, Power factor	1825
Ch. 15 Power, Power factor	1921
Ch. 16 Power, Power factor	2017

PARAMETER	OFFSET		
	PRESENT	MAX	MIN
Active power, Phase 1	+0	+32	+64
Active power, Phase 2	+2	+34	+66
Active power, Phase 3	+4	+36	+68
Active power	+6	+38	+70
Reactive power, Phase 1	+8	+40	+72
Reactive power, Phase 2	+10	+42	+74
Reactive power, Phase 3	+12	+44	+76
Reactive power	+14	+46	+78
Apparent power, Phase 1	+16	+48	+80
Apparent power, Phase 2	+18	+50	+82
Apparent power, Phase 3	+20	+52	+84
Apparent power	+22	+54	+86
Power factor, Phase 1	+24	+56	+88
Power factor, Phase 2	+26	+58	+90
Power factor, Phase 3	+28	+60	+92
Power factor	+30	+62	+94

• Average (demand) (AVG)

PARAMETER	BASE REGISTERS
BASIC UNIT	
Ch. 1 Average	2113
Ch. 2 Average	2257
Ch. 3 Average	2401
Ch. 4 Average	2545
Ch. 5 Average	2689
Ch. 6 Average	2833
Ch. 7 Average	2977
Ch. 8 Average	3121
R9WTU-EP8	
Ch. 9 Average	3265
Ch. 10 Average	3409
Ch. 11 Average	3553
Ch. 12 Average	3697
Ch. 13 Average	3841
Ch. 14 Average	3985
Ch. 15 Average	4129
Ch. 16 Average	4273

PARAMETER	OFFSET				
	LATEST	MAX	MAX DATE/TIME	MIN	MIN DATE/TIME
Current AVG date/time	+0				
Current AVG	+3	+28	+30	+83	+85
Current AVG, Line 1	+5	+33	+35	+88	+90
Current AVG, Line 2	+7	+38	+40	+93	+95
Current AVG, Line 3	+9	+43	+45	+98	+100
Neutral current AVG	+11	+48	+50	+103	+105
Power AVG date/time	+13				
Active power AVG	+16	+53	+55	+108	+110
Reactive power AVG	+18	+58	+60	+113	+115
Apparent power AVG	+20	+63	+65	+118	+120

• Energy / Pulse Count

PARAMETER	BASE REGISTERS
BASIC UNIT	
Ch. 1 Energy	4417
Ch. 2 Energy	4481
Ch. 3 Energy	4673
Ch. 4 Energy	4737
Ch. 5 Energy	4929
Ch. 6 Energy	4993
Ch. 7 Energy	5185
Ch. 8 Energy	5249

EXTENSION UNIT

R9WTU-EP8	R9WTU-ED16	BASE REGISTERS
Ch. 9 Energy	DI 1 Pulse count	5441
Ch. 10 Energy	DI 2 Pulse count	5505
Ch. 11 Energy	DI 3 Pulse count	5697
Ch. 12 Energy	DI 4 Pulse count	5761
Ch. 13 Energy	DI 5 Pulse count	5953
Ch. 14 Energy	DI 6 Pulse count	6017
Ch. 15 Energy	DI 7 Pulse count	6209
Ch. 16 Energy	DI 8 Pulse count	6273

PARAMETER		OFFSET
BASIC UNIT R9WTU-EP8	R9WTU-ED16	
Totalized energy*	Totalized pulse count*	+0
Totalized reactive energy (LAG)*	Reserved	+2
Energy, last 1 hour	Pulse count, last 1 hour	+6
Energy, last 1 minute	Pulse count, last 1 minute	+8
Energy, 0 to 1 (o'clock)	Pulse count, 0 to 1 (o'clock)	+10
Energy, 1 to 2	Pulse count, 1 to 2	+12
Energy, 2 to 3	Pulse count, 2 to 3	+14
Energy, 3 to 4	Pulse count, 3 to 4	+16
Energy, 4 to 5	Pulse count, 4 to 5	+18
Energy, 5 to 6	Pulse count, 5 to 6	+20
Energy, 6 to 7	Pulse count, 6 to 7	+22
Energy, 7 to 8	Pulse count, 7 to 8	+24
Energy, 8 to 9	Pulse count, 8 to 9	+26
Energy, 9 to 10	Pulse count, 9 to 10	+28
Energy, 10 to 11	Pulse count, 10 to 11	+30
Energy, 11 to 12	Pulse count, 11 to 12	+32
Energy, 12 to 13	Pulse count, 12 to 13	+34
Energy, 13 to 14	Pulse count, 13 to 14	+36
Energy, 14 to 15	Pulse count, 14 to 15	+38
Energy, 15 to 16	Pulse count, 15 to 16	+40
Energy, 16 to 17	Pulse count, 16 to 17	+42
Energy, 17 to 18	Pulse count, 17 to 18	+44
Energy, 18 to 19	Pulse count, 18 to 19	+46
Energy, 19 to 20	Pulse count, 19 to 20	+48
Energy, 20 to 21	Pulse count, 20 to 21	+50
Energy, 21 to 22	Pulse count, 21 to 22	+52
Energy, 22 to 23	Pulse count, 22 to 23	+54
Energy, 23 to 24	Pulse count, 23 to 24	+56
Max. energy	Max. pulse count	+58
Max. energy data/time	Max. pulse count date/time	+60

*. The value can be preset by writing. (Ver.1.30 or later)

• Voltage Harmonic Distortion (HD)

PARAMETER	PRESENT	MAX
Delta voltage HD, 1 – 2	6465	6473
Delta voltage HD, 2 – 3	6466	6474
Delta voltage HD, 3 – 1	6467	6475
Phase voltage HD, Phase 1	6468	6476
Phase voltage HD, Phase 2	6469	6477
Phase voltage HD, Phase 3	6470	6478

• Current Harmonic Distortion (HD)

PARAMETER	BASE REGISTERS
BASIC UNIT	
Ch. 1 Current HD	6481
Ch. 2 Current HD	6489
Ch. 3 Current HD	6497
Ch. 4 Current HD	6505
Ch. 5 Current HD	6513
Ch. 6 Current HD	6521
Ch. 7 Current HD	6529
Ch. 8 Current HD	6537

R9WTU-EP8

Ch. 9 Current HD	6545
Ch. 10 Current HD	6553
Ch. 11 Current HD	6561
Ch. 12 Current HD	6569
Ch. 13 Current HD	6577
Ch. 14 Current HD	6585
Ch. 15 Current HD	6593
Ch. 16 Current HD	6601

PARAMETER	OFFSET	
	PRESENT	MAX
Current HD, Line 1	+0	+4
Current HD, Line 2	+1	+5
Current HD, Line 3	+2	+6
Neutral current HD	+3	+7

• **Voltage Harmonic Content (HC)**

PARAMETER	3rd	5th	...	29th	31st
Delta voltage HC, 1 – 2	6609	6610	...	6622	6623
Delta voltage HC, 2 – 3	6625	6626	...	6638	6639
Delta voltage HC, 3 – 1	6641	6642	...	6654	6655
Phase voltage HC, Phase 1	6657	6658	...	6670	6671
Phase voltage HC, Phase 2	6673	6674	...	6686	6687
Phase voltage HC, Phase 3	6689	6690	...	6702	6703

• **Current Harmonic Content (HC)**

PARAMETER	BASE REGISTERS
BASIC UNIT	
Ch. 1 Current HC	6705
Ch. 2 Current HC	6769
Ch. 3 Current HC	6833
Ch. 4 Current HC	6897
Ch. 5 Current HC	6961
Ch. 6 Current HC	7025
Ch. 7 Current HC	7089
Ch. 8 Current HC	7153
R9WTU-EP8	
Ch. 9 Current HC	7217
Ch. 10 Current HC	7281
Ch. 11 Current HC	7345
Ch. 12 Current HC	7409
Ch. 13 Current HC	7473
Ch. 14 Current HC	7537
Ch. 15 Current HC	7601
Ch. 16 Current HC	7665

PARAMETER	OFFSET				
	3rd	5th	...	29th	31st
Current HC, Line 1	+0	+1	...	+13	+14
Current HC, Line 2	+16	+17	...	+29	+30
Current HC, Line 3	+32	+33	...	+45	+46
Neutral current HC	+48	+49	...	+61	+62

• **Discrete Input (DI)**

'0' is read if the R9WTU-ED16 is not used.

REGISTER	WORD LENGTH	PARAMETER
7745	1	DI 1 Status 0 : OFF 1 : ON
7746	1	DI 2 Status 0 : OFF 1 : ON
7747	1	DI 3 Status 0 : OFF 1 : ON
7748	1	DI 4 Status 0 : OFF 1 : ON
7749	1	DI 5 Status 0 : OFF 1 : ON
7750	1	DI 6 Status 0 : OFF 1 : ON
7751	1	DI 7 Status 0 : OFF 1 : ON
7752	1	DI 8 status 0 : OFF 1 : ON

• Pulse Count

'0' is read if the R9WTU-ED16 is not used.

The value can be preset by writing.

REGISTER	WORD LENGTH	PARAMETER
7777	2	DI 1 Pulse count Pulse train input at DI 1 is counted. The counter resets to 0 when a pulse is added at 999 999 999 counts.
7779	2	DI 2 Pulse count Pulse train input at DI 2 is counted. The counter resets to 0 when a pulse is added at 999 999 999 counts.
7781	2	DI 3 Pulse count Pulse train input at DI 3 is counted. The counter resets to 0 when a pulse is added at 999 999 999 counts.
7783	2	DI 4 Pulse count Pulse train input at DI 4 is counted. The counter resets to 0 when a pulse is added at 999 999 999 counts.
7785	2	DI 5 Pulse count Pulse train input at DI 5 is counted. The counter resets to 0 when a pulse is added at 999 999 999 counts.
7787	2	DI 6 Pulse count Pulse train input at DI 6 is counted. The counter resets to 0 when a pulse is added at 999 999 999 counts.
7789	2	DI 7 Pulse count Pulse train input at DI 7 is counted. The counter resets to 0 when a pulse is added at 999 999 999 counts.
7791	2	DI 8 Pulse count Pulse train input at DI 8 is counted. The counter resets to 0 when a pulse is added at 999 999 999 counts.

• Discrete Output (DO)

'Exception' is given if the R9WTU-ED16 is not used.

REGISTER	WORD LENGTH	PARAMETER
7841	1	DO 1 Output contact at the Extension Unit is turned on/off by writing in the register. 0 : OFF / 1 : ON
7842	1	DO 2 Output contact at the Extension Unit is turned on/off by writing in the register. 0 : OFF / 1 : ON
7843	1	DO 3 Output contact at the Extension Unit is turned on/off by writing in the register. 0 : OFF / 1 : ON
7844	1	DO 4 Output contact at the Extension Unit is turned on/off by writing in the register. 0 : OFF / 1 : ON
7845	1	DO 5 Output contact at the Extension Unit is turned on/off by writing in the register. 0 : OFF / 1 : ON
7846	1	DO 6 Output contact at the Extension Unit is turned on/off by writing in the register. 0 : OFF / 1 : ON
7847	1	DO 7 Output contact at the Extension Unit is turned on/off by writing in the register. 0 : OFF / 1 : ON
7848	1	DO 8 Output contact at the Extension Unit is turned on/off by writing in the register. 0 : OFF / 1 : ON

DATA LOGGING IN SD CARD

■ GENERAL DESCRIPTION

The R9CWTU is equipped with a SD card slot. The unit transfers to the card at 0 minute every hour its internal memory data: energy per hour; and voltage, current, power and energy per minute. A 4-GB SD card can store information of 8 channels for approx. 16 years.

■ TIMING

Data recording is started from 0 minute of the hour when the card is inserted.

For example, if it is inserted at 9:50, data from 9:00 to 10:00 is transferred to the card at 10:00, and later data is added every hour until the card is extracted. (If the unit has been started later than 9:00, data before the startup is not available.)

If the card is not in the unit on the hour, data transfer is not executed and the internal data is automatically erased until one is inserted to the unit again.

The SDCard LED starts blinking 30 seconds before the hour every hour for noticing start of writing operation.

DO NOT extract the card while the LED is blinking until the writing is complete.

If the card is extracted or the power supply to the unit is turned off while it is writing, stored data may be destroyed and inaccessible.

■ SD CARD

Prepare one of the following types of memory card:

- Manufacturer: Hagiwara Solutions
 - Model: NSD6-004GH(A00SDI (discontinued),
NSDA-004GT (discontinued),
NSDA-004GL (discontinued),
NSD6-004GH(B21SEI
- Manufacturer: Apacer Technology
 - Model: AP-ISD04GIS4B-T, AP-ISD04GIS4B-3T

WE ARE NOT LIABLE FOR ANY LOSS OF DATA.

Data may be lost in but not limited to the following cases:

- Wrong handling of the card
- Static or electric noise interference
- When the card is extracted or when the power supply to the unit is turned off while it is accessed.
- When formatting SD card, use a dedicated software “SD Card Formatter”.
- “SD Card Formatter” is downloadable at SD Association’s web site.
<https://www.sdcard.org>

■ CALENDAR

The incorporated calendar IC is backed up with a battery which enables the calendar backup for 2 years with no external power supply.

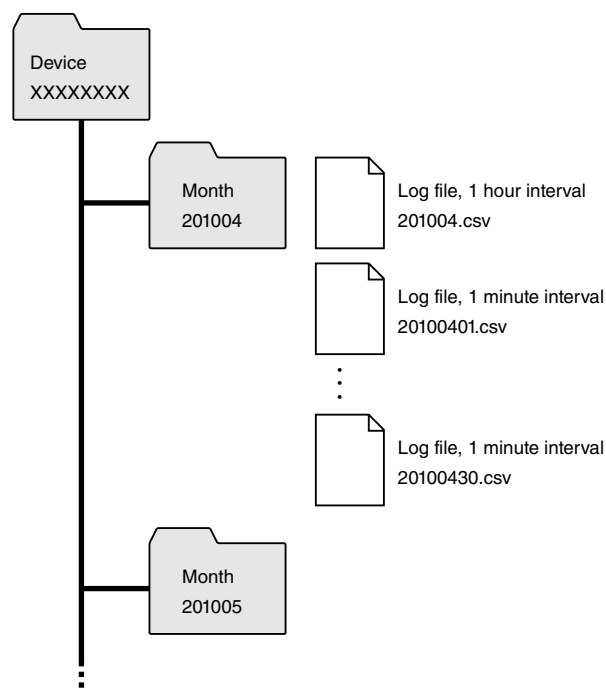
We recommend that the power supply is maintained as long as possible while the SD card is used.

The battery does not wear while the external power is supplied, however, the calendar cannot be backed up after the total elapsed time without power supply exceeds 2 years.

The unit indicates a calendar error with POWER LED, and resets the date and time to Year 2000, January 1, 00:00:00. Refer to “COMPONENT IDENTIFICATION” section. Set the date and time again in such a case.

Once the backup battery life is expired, the unit indicates the same error every time the power supply to it is turned on.

■ DIRECTORY



• Device Folder

A data folder inherent to the device is automatically created, and monthly folders are created in it.

Device folder is identified with the device’s serial number (8 characters).

• Monthly Folder

Monthly folders are identified with year (4 characters) and month (2 characters). All log files for the designated month are stored in it.

• Log File, 1 Hour Interval

Energy (watthour) and pulse counts per hour for each channel is stored on the hour every hour.

Each data storage cycle takes 1 row, and at the maximum of 1 month data is stored in a CSV (divided with comma) format file. The first row of the file contains the data contents descriptions and the second contains the engineering unit descriptions.

PARAMETER	DATE	TIME	Ch. 1 Energy	Ch. 2 Energy		Ch. 8 Energy* ¹	DI 1 Pulse Count* ²	DI 2 Pulse Count* ²		DI 8 Pulse Count* ²
Row 1 Comment	Date	Time	1ch-EP	2ch-EP		8ch-EP	DI1-count	DI2-count		DI8-count
Row 2 Unit			kWh	kWh	kWh	pulse	pulse	pulse
Example	2010/08/25	10:00	123.4	123.4		123.4	4567	4567		4567
	2010/08/25	11:00	123.4	123.4		123.4	4567	4567		4567

• Log File, 1 Minute Interval

Voltage, current, power, energy (watthour), and pulse counts per minute for each channel is stored.

Data transfer for the whole hour to the SD card is executed only at the same moment as for the hourly data.

Each data storage cycle takes 1 row, and at the maximum of 1 day data is stored in a CSV (divided with comma) format file.

The first row of the file contains the data contents descriptions and the second contains the engineering unit descriptions.

PARAMETER	DATE	TIME	Voltage 1	Voltage 2	Voltage 3	Ch.1 Current 1	Ch. 1 Current 2	Ch. 1 Current 3	Ch. 2 Current 1		Ch. 8 Current 3* ¹	Ch. 1 Power	Ch. 2 Power		Ch. 8 Power* ¹	Ch. 1 Energy	Ch. 2 Energy		Ch. 8 Energy* ¹	DI 1 Pulse Count* ²	DI 2 Pulse Count* ²		DI 8 Pulse Count* ²
Row 1 Comment	Date	Time	U1	U2	U3	1ch-I1	1ch-I2	1ch-I3	2ch-I1		8ch-I3	1ch-P	2ch-P		8ch-P	1ch-EP	2ch-EP		8ch-EP	DI1-count	DI2-count		DI8-count
Row 2 Unit			V	V	V	A	A	A	A	kWh	kW	kW	kWh	kWh	kWh	kWh	pulse	pulse	pulse
Example	2010/08/25	10:00	110.00	110.00	110.00	5.000	5.000	5.000	5.000		5.000	1.650	1.650		1.650	12.3	12.3		12.3	456	456		456
	2010/08/25	10:01	110.00	110.00	110.00	5.000	5.000	5.000	5.000		5.000	1.650	1.650		1.650	12.3	12.3		12.3	456	456		456

*1. Up to 16 channels with the R9WTU-EP8

*2. DI pulse counts are recorded only with the R9WTU-ED16

Voltage and current data are assigned as in the following table.

Three-phase / 3-wire	Voltage 1	Delta voltage, 1 – 2	Single-phase / 3-wire	Voltage 1	Phase voltage, Phase 1	Single-phase / 2-wire	Voltage 1	Phase voltage, Phase 1
	Voltage 2	Delta voltage, 2 – 3		Voltage 2	Phase voltage, Phase 3		Voltage 2	0
	Voltage 3	Delta voltage, 3 – 1		Voltage 3	Delta voltage, 3 – 1		Voltage 3	0
	Current 1	Current, Line 1		Current 1	Current, Line 1		Current 1	Current, Line 1
	Current 2	Current, Line 2		Current 2	Current, Line 3		Current 2	0
	Current 3	Current, Line 3		Current 3	Neutral current		Current 3	0

LIGHTNING SURGE PROTECTION

We offer a series of lightning surge protector for protection against induced lightning surges.

Please contact us to choose appropriate models.