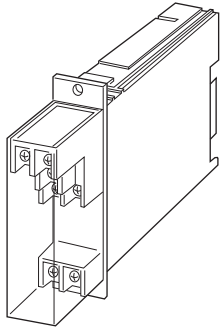


## High-density Signal Conditioners 10-RACK

### EXTENDER MODULE

#### Functions & Features

- Connecting the front terminals to the rear printed wiring
- Input signal (1 - 5 V DC) is output at the Standard Rack connector



### MODEL: 10BW-1[1]

#### ORDERING INFORMATION

- Code number: 10BW-1[1]

Specify a code from below for [1].

(e.g. 10BW-1/Q)

- Specify the specification for option code /Q  
(e.g. /C01)

#### [1] OPTIONS

**blank:** none

**/Q:** With options (specify the specification)

#### SPECIFICATIONS OF OPTION: Q

COATING (For the detail, refer to our web site.)

**/C01:** Silicone coating

**/C02:** Polyurethane coating

**/C03:** Rubber coating

#### GENERAL SPECIFICATIONS

**Construction:** Rack-mounted; terminal access via screw terminals at the front and via card-edge connector at the rear; terminal cover provided

**Connection:** M3.5 screw terminals (torque 0.8 N·m) and card-edge connector

**Screw terminal:** Nickel-plated steel

**Housing material:** Flame-resistant resin (black)

#### INSTALLATION

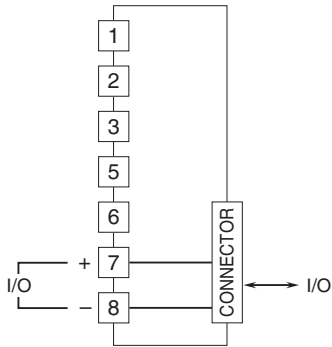
**Operating temperature:** -5 to +55°C (23 to 131°F)

**Operating humidity:** 30 to 90 %RH (non-condensing)

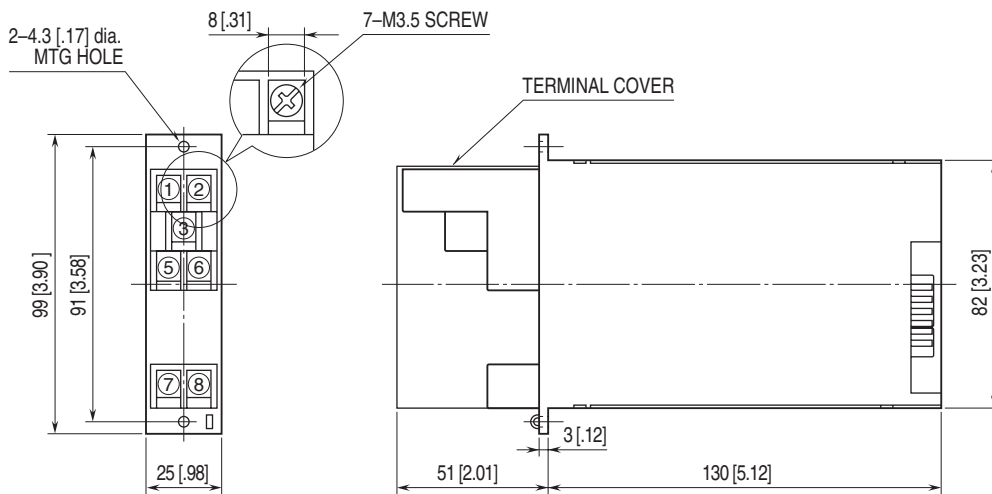
**Mounting:** Standard Rack 10BXx

**Weight:** 150 g (0.33 lb)

**CONNECTION DIAGRAM**



**EXTERNAL DIMENSIONS & TERMINAL ASSIGNMENTS unit: mm [inch]**



Specifications are subject to change without notice.