

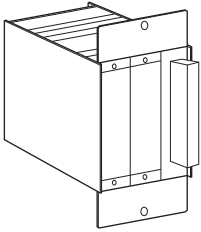
High-density Signal Conditioners 10-RACK

STANDARD RACK

(2 positions)

Functions & Features

- Standard rack for 10-RACK signal conditioners
- Line power supplied via the rear rack bus



MODEL: 10BXU-[1][2]

ORDERING INFORMATION

- Code number: 10BXU-[1][2]
- Specify a code from below for each of [1] and [2].
(e.g. 10BXU-K/Q)
- Specify the specification for option code /Q
(e.g. /C01)

[1] POWER SUPPLY UNIT

AC Power

K: 85 - 132 V AC

(Operational voltage range 85 - 132 V, 47 - 63 Hz)

DC Power

R: 24 V DC

(Operational voltage range 24 V \pm 10 %, ripple 10 %p-p max.)

[2] OPTIONS

blank: none

/Q: With options (specify the specification)

SPECIFICATIONS OF OPTION: Q

COATING (For the detail, refer to our web site.)

Power supply and signal conditioner side of the main PWB are not coated.

/C01: Silicone coating

/C02: Polyurethane coating

/C03: Rubber coating

RELATED PRODUCTS

- Blank filler plate (model: P-101)

GENERAL SPECIFICATIONS

Construction: Metal plates assembly

Coating: Zn-Cr (black), aluminized steel

Capacity: 2 positions

Connection: M3.5 screw terminals (torque 0.8 N·m)

Screw terminal: Nickel-plated steel

Isolation: I/O to power to FG

INSTALLATION

Power input

• **AC:** 85 - 132 V, 47 - 63 Hz, 15 VA maximum

• **DC:** 24 V DC \pm 10 %, (ripple 10 % p-p max.)

Operating temperature: -5 to 55°C (23 to 131°F)

0 to 55°C (32 to 131°F) for AC power

Operating humidity: 30 to 90 %RH (non-condensing)

Mounting: Angle bracket

Weight: Approx. 1 kg (2.21 lb)

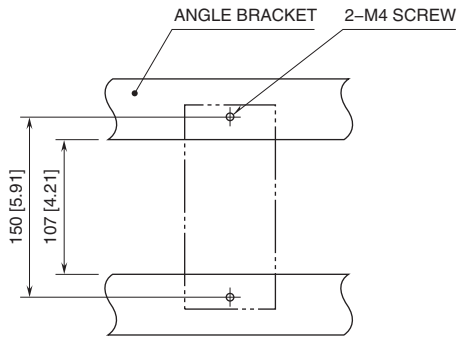
PERFORMANCE

Insulation resistance: \geq 100 M Ω with 500 V DC

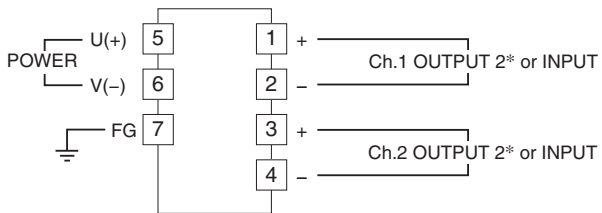
Dielectric strength: 500 V AC @ 1 minute

(I/O to power to FG)

MOUNTING REQUIREMENTS unit: mm (inch)

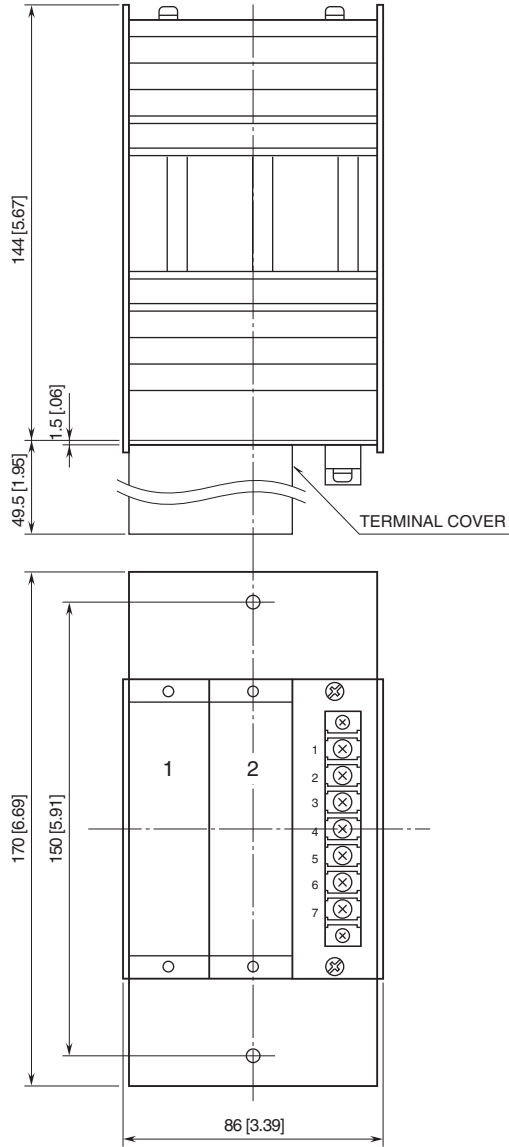


CONNECTION DIAGRAM



*Replaced with OUTPUT 1 for one output model.

DIMENSIONS unit: mm (inch)



Specifications are subject to change without notice.