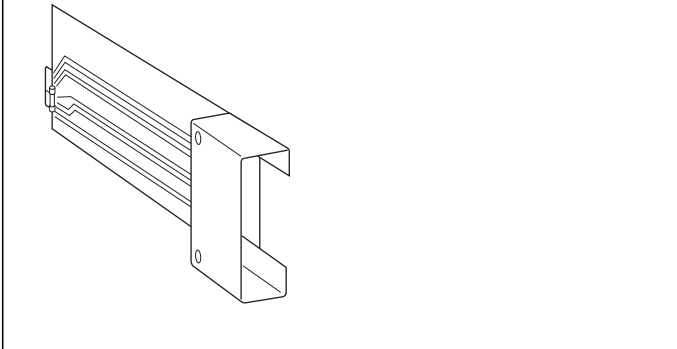


**High-density Signal Conditioners 10-RACK**

**EXTENDER CARD**

**Functions & Features**

- Enabling the 10-RACK and 15-RACK modules to proceed adjustments at the extracted position without losing electrical connection



**MODEL: 10EC**

**ORDERING INFORMATION**

- Code number: 10EC

**SPECIFICATIONS**

**Power fuse**

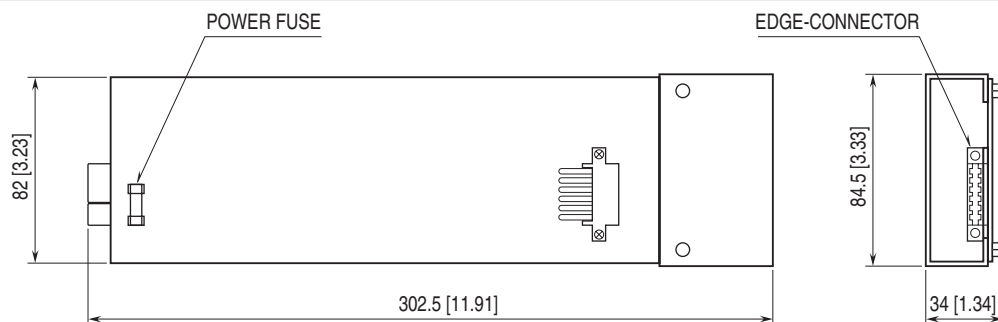
Model No.: FGMB PBF

Rating: 125 V 0.5 A

**INSTALLATION**

Weight: 150 g (0.33 lb)

**DIMENSIONS unit: mm (inch)**



Specifications are subject to change without notice.