

## Dual Channel Input/Output Isolators 15-RACK

(Operational voltage range 24 V  $\pm$ 10 %, ripple 10 %p-p max.)

### CT CONVERTER

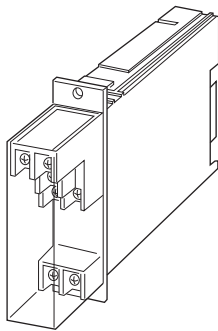
(Average sensing, RMS calibrated)

#### Functions & Features

- Converting an alternating current from a current transformer into a standard process signal
- Minimum ripple
- 2 channels available; accomplishing economical and space-saving multi-input processing

#### Typical Applications

- Centralized monitoring and control of motors, pumps or heaters by DCS
- Monitoring power line and power supply current



## MODEL: 15CA-[1]6-R[2]

### ORDERING INFORMATION

- Code number: 15CA-[1]6-R[2]
- Specify a code from below for each of [1] and [2].  
(e.g. 15CA-16-R/Q)
- Specify the specification for option code /Q  
(e.g. /C01)

### [1] INPUT (sine wave)

Current

- 1: 0 - 1 A AC
- 5: 0 - 5 A AC

### OUTPUT

Voltage

- 6: 1 - 5 V DC (Load resistance 5000  $\Omega$  min.)

### POWER INPUT

- DC Power
- R: 24 V DC

### [2] OPTIONS

- blank: none
- /Q: With options (specify the specification)

### SPECIFICATIONS OF OPTION: Q

COATING (For the detail, refer to our web site.)

- /C01: Silicone coating
- /C02: Polyurethane coating
- /C03: Rubber coating

### RELATED PRODUCTS

- Extender card (model:10EC)  
Necessary to adjust span.

### GENERAL SPECIFICATIONS

**Construction:** Rack-mounted; terminal access via screw terminals at the front and via card-edge connector at the rear; terminal cover provided

#### Connection

- Input:** M3.5 screw terminals (torque 0.8 N·m)
- Output:** Card-edge connector and M3.5 screw terminals (torque 0.8 N·m)

**Power input:** Supplied from card-edge connector

**Screw terminal:** Nickel-plated steel

**Housing material:** Flame-resistant resin (black)

**Isolation:** Input to output or power; ch.1 input to ch.2 input

**Input waveform:** Sine wave

**Overrange output:** 0 to 120 %

**Zero adjustment:** -5 to +5 % (front)

**Span adjustment:** 95 to 105 % (top)

### INPUT SPECIFICATIONS

**Frequency:** 50 or 60 Hz

**Input burden:** 0.5 VA max.

**Overload capacity:** 500 % of rating for 5 sec., 120 % continuous

**Operational range:** 0 - 120 % of rating

### INSTALLATION

**Power consumption:** Approx. 10 mA

**Operating temperature:** -5 to +55°C (23 to 131°F)

**Operating humidity:** 30 to 90 %RH (non-condensing)

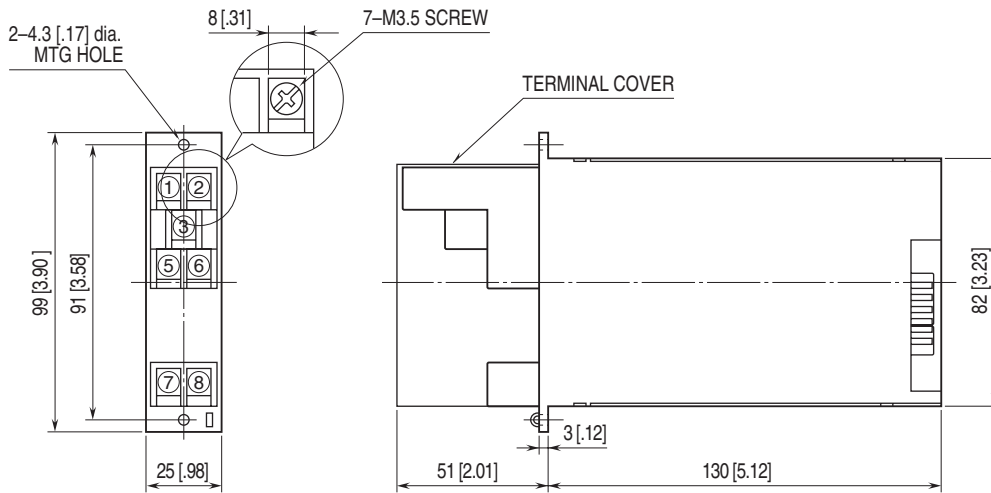
**Mounting:** Standard Rack 15BX

**Weight:** 180 g (0.40 lb)

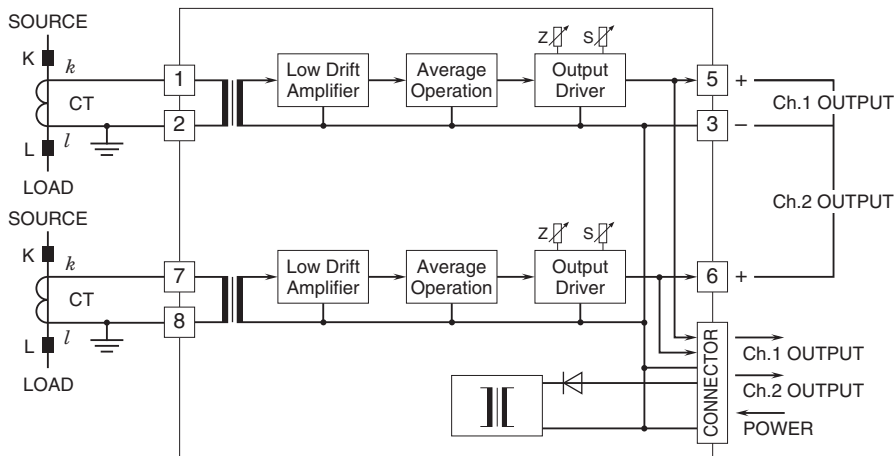
## PERFORMANCE in percentage of span

- Accuracy:  $\pm 0.4\%$
- Temp. coefficient:  $\pm 0.02\%/^{\circ}\text{C}$  ( $\pm 0.01\%/^{\circ}\text{F}$ )
- Response time:  $\leq 0.5$  sec. (0 - 90 %)
- Ripple: 0.5 %p-p max. (100/120 Hz)
- Line voltage effect:  $\pm 0.1\%$  over voltage range
- Insulation resistance:  $\geq 100\text{ M}\Omega$  with 500 V DC
- Dielectric strength: 2000 V AC @ 1 minute (input to output or power)
- 2000 V AC @1 minute (ch.1 to ch.2 input)

## EXTERNAL DIMENSIONS & TERMINAL ASSIGNMENTS unit: mm [inch]



## SCHEMATIC CIRCUITRY & CONNECTION DIAGRAM



Specifications are subject to change without notice.