

Dual Channel Input/Output Isolators 15-RACK

(Operational voltage range 24 V \pm 10 %, ripple 10 %p-p max.)

OUTPUT ISOLATOR

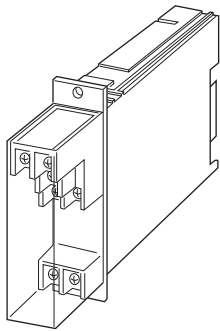
(fast response)

Functions & Features

- Converting a DC input into an isolated standard process signal
- Input from the Standard Rack connector can be monitored at the front terminals
- 2 channels available; accomplishing economical and space-saving multi-output processing

Typical Applications

- Isolation between control room and field instrumentation



MODEL: 15YK-6[1]-R[2]

ORDERING INFORMATION

- Code number: 15YK-6[1]-R[2]
- Specify a code from below for each of [1] and [2]. (e.g. 15YK-66-R/Q)
- Specify the specification for option code /Q (e.g. /C01)

INPUT

Voltage

6: 1 - 5 V DC (Input resistance 1 M Ω min.)

[1] OUTPUT

Current

A: 4 - 20 mA DC (Load resistance 600 Ω max.)

Voltage

6: 1 - 5 V DC (Load resistance 500 Ω min.)

POWER INPUT

DC Power

R: 24 V DC

[2] OPTIONS

blank: none

/Q: With options (specify the specification)

SPECIFICATIONS OF OPTION: Q

COATING (For the detail, refer to our web site.)

/C01: Silicone coating

/C02: Polyurethane coating

/C03: Rubber coating

RELATED PRODUCTS

- Extender card (model:10EC)
Necessary to adjust span.

GENERAL SPECIFICATIONS

Construction: Rack-mounted; terminal access via screw terminals at the front and via card-edge connector at the rear; terminal cover provided

Connection

Input: Card-edge connector

Output, input monitor: M3.5 screw terminals (torque 0.8 N·m)

Power input: Supplied from card-edge connector

Screw terminal: Nickel-plated steel

Housing material: Flame-resistant resin (black)

Isolation: Input or output to power; ch.1 output to ch.2 output

Overrange output: Approx. -10 to +120 % at 1 - 5 V

Zero adjustment: -5 to +5 % (front)

Span adjustment: 95 to 105 % (top)

OUTPUT SPECIFICATIONS

With the input voltage code 3, 4, 5, 6 and current, the output goes below 0 % when the input is open.

INSTALLATION

Power consumption: Approx. 50 mA with voltage output; approx. 70 mA with current output

Operating temperature: -5 to +55°C (23 to 131°F)

Operating humidity: 30 to 90 %RH (non-condensing)

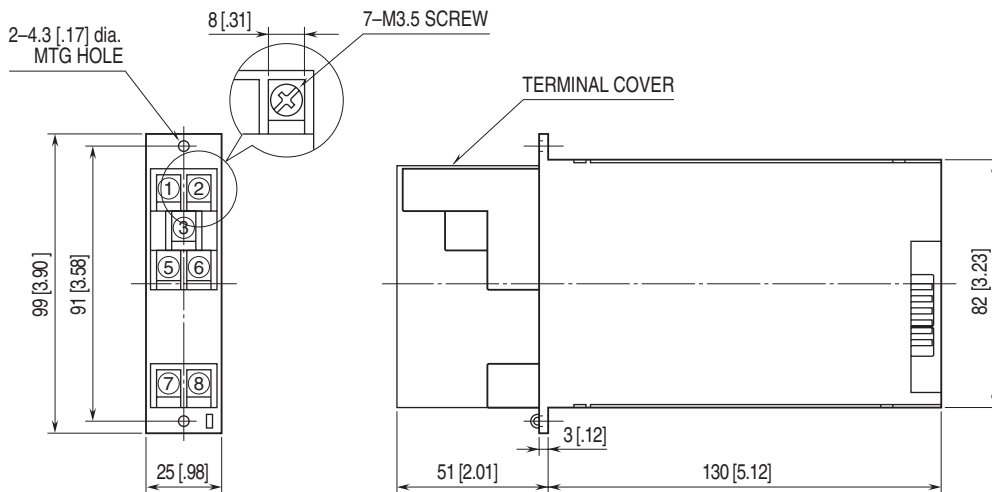
Mounting: Standard Rack 15BX

Weight: 200 g (0.44 lb)

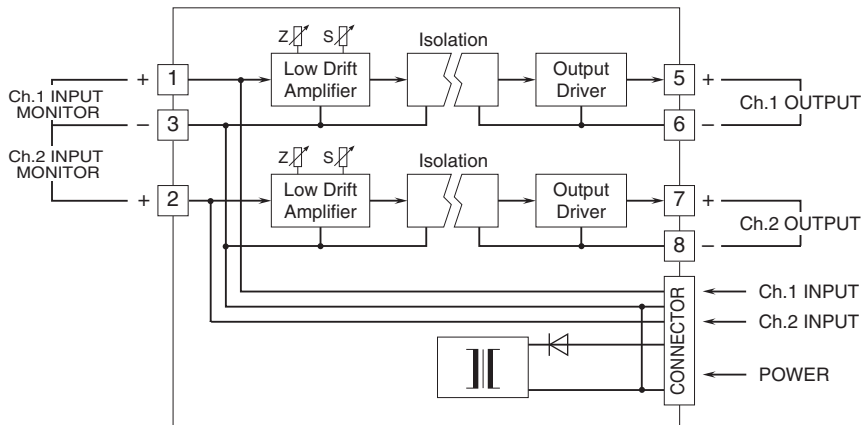
PERFORMANCE in percentage of span

- Accuracy: $\pm 0.1\%$
- Temp. coefficient: $\pm 0.015\%/^{\circ}\text{C}$ ($\pm 0.008\%/^{\circ}\text{F}$)
- Response time: ≤ 25 msec. (0 - 90 %)
- Line voltage effect: $\pm 0.1\%$ over voltage range
- Insulation resistance: $\geq 100\text{ M}\Omega$ with 500 V DC
- Dielectric strength: 500 V AC @ 1 minute
(input or power to output)
- 500 V AC @ 1 minute (ch.1 to ch.2 output)

EXTERNAL DIMENSIONS & TERMINAL ASSIGNMENTS unit: mm [inch]



SCHEMATIC CIRCUITRY & CONNECTION DIAGRAM



Specifications are subject to change without notice.