

## Rack-mounted Power Transducers 17-RACK

Zero adjustment: 0 – 50 % of total resistance (front)  
Span adjustment: 50 – 100 % of total resistance (front)

### POTENTIOMETER CONVERTER

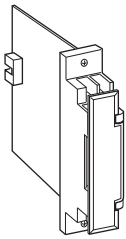
(fast response)

#### Functions & Features

- Providing a DC output proportional to a potentiometer or slidewire position input
- 50 % zero/span adjustments with minimal interaction

#### Typical Applications

- Tank levels
- Positions



### MODEL: 17MK-6-R

#### ORDERING INFORMATION

- Code number: 17MK-6-R

### INPUT POTENTIOMETER

Total resistance 100 Ω – 10 kΩ

### OUTPUT

Voltage

6: 1 – 5 V DC (Load resistance 2000 Ω min.)

### POWER INPUT

DC Power

R: 24 V DC

(Operational voltage range 24 V ±10 %, ripple 10 %p-p max.)

#### GENERAL SPECIFICATIONS

**Construction:** Rack-mounted; terminal access via screw terminals on the front and connector on the rear; terminal cover provided

**Connection:**

**Input:** M3.5 screw terminals (torque 0.8 N·m)

**Output:** Connector

**Power input:** Supplied from connector

**Screw terminal:** Nickel-plated steel

**Isolation:** Input to output to power

#### INPUT SPECIFICATIONS

**Minimum span:** 50 % of total resistance

**Excitation:** Approx. 0.2 V DC

#### INSTALLATION

**Current consumption:** Approx. 35 mA

**Operating temperature:** -5 to +55°C (23 to 131°F)

**Operating humidity:** 40 to 85 % RH (non-condensing)

**Mounting:** Standard Rack 17BXE

**Weight:** 150 g (0.33 lb)

#### PERFORMANCE in percentage of span

**Accuracy:** ±0.3 %

**Temp. coefficient:** ±0.015 %/°C (±0.008 %/°F)

**Response time:** Approx. 25 msec. (0 – 90 %)

**Line voltage effect:** ±0.1 % over voltage range

**Insulation resistance:** ≥ 100 MΩ with 500 V DC

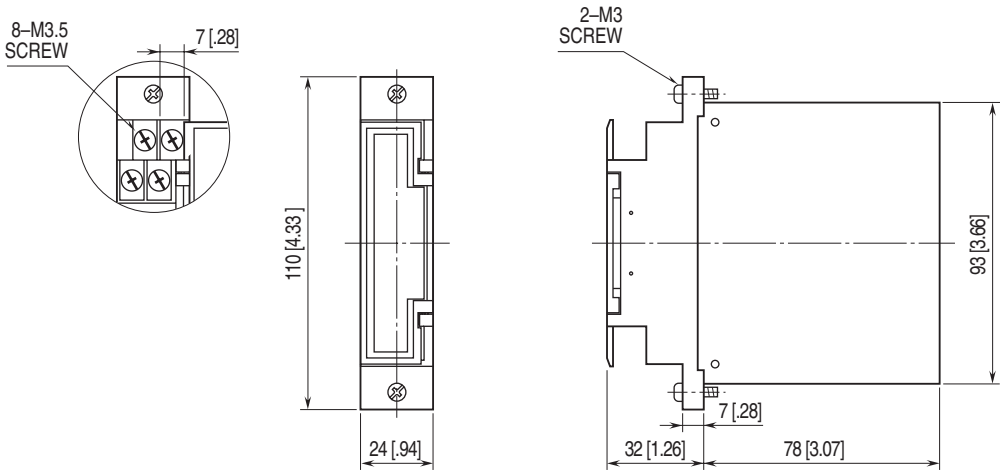
**Dielectric strength:** 1500 V AC @ 1 minute

(input to output or power)

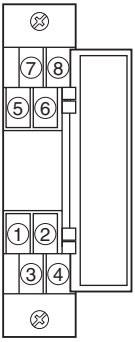
500 V AC @ 1 minute (output to power)

1500 V AC @ 1 minute (input or output or power to ground)

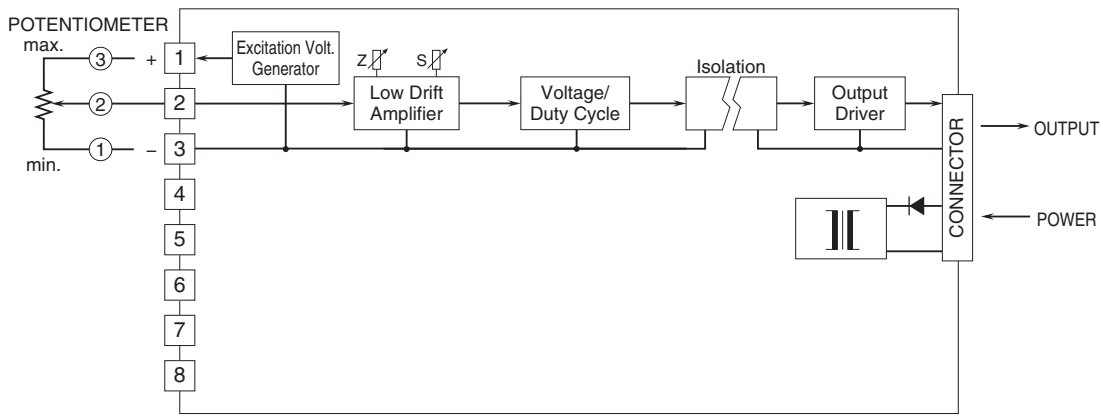
**DIMENSIONS unit: mm (inch)**



**TERMINAL ASSIGNMENTS**



**SCHEMATIC CIRCUITRY & CONNECTION DIAGRAM**



 Specifications are subject to change without notice.